

## Excellent Integrated System Limited

Stocking Distributor

Click to view price, real time Inventory, Delivery & Lifecycle Information:

[FCI](#)  
[51723-1020000AALF](#)

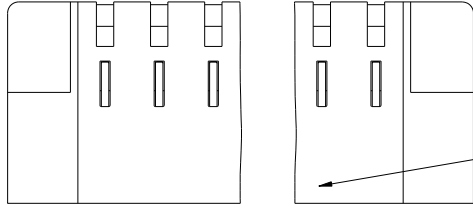
For any questions, you can email us directly:  
[sales@integrated-circuit.com](mailto:sales@integrated-circuit.com)

Tous droits strictement réservés. Reproduction ou communication à des tiers interdite sous quelque forme que ce soit sans autorisation écrite du propriétaire. Propriété de c FCI. Droits de reproduction FCI.

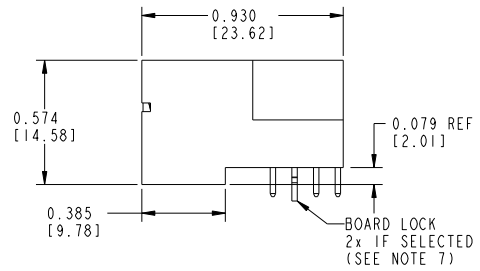
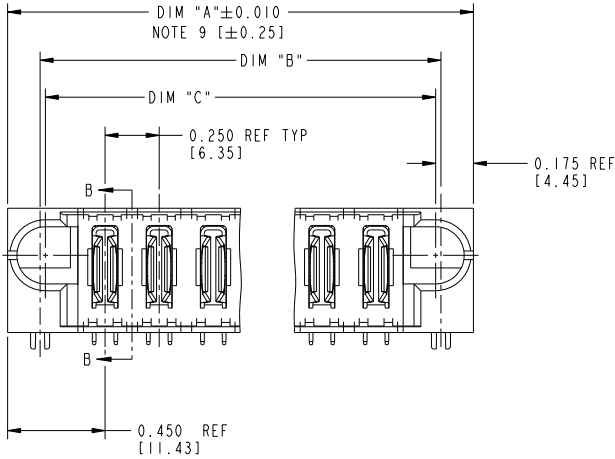


All rights strictly reserved. Reproduction or issue to third parties in any form whatsoever is not permitted without written authority from the proprietor. Property of FCI. Copyright FCI.

PRODUCT NUMBER
51723-ABB00000EF...
Note: ①
SEE NOTE 1



SEE NOTE 8



mat'l code		SEE NOTE 2		tolerances unless otherwise specified		CUSTOMER		FCI		www.fciconnect.com	
ltr	ecn no.	dr	date	linear	.XX±.01/.XX±.3	projection	COPY	title			
A	V02387	JRW	10/03/00		.XXX±.005/.XX±.13			RIGHT ANGLE HEADER w/GUIDE PIN POWER			
B	V12845	JWS	1/4/02		.XXXX±.0020/.XXX±.051			product family PWRBLADE code 213			
C	DG05-0132	SJ	06/02/05	angles	0°±2°	INCH/MM		size		sheet	
D	DG05-0371	JMG	07/27/06	dr	LEV4 10/14/99	scale 3:2		dwg no		1 of 3	
E	DG08-0237	W D	09/01/08	enr	J. BROWN 10/14/99	A		51723			
F	DG08-0272	W D	09/25/08	chr	J. BROWN 10/14/99						
				appd	J. BROWN 10/14/99						
sheet index	revision sheet	F 1	F 2	F 3							

1 | 2

Pro/E

PDM: Rev:F

STATUS: Released

Printed: Dec 20, 2010

1 | 2

3 |

4

A

A

B

B

1 | 2

3 |

4

PRODUCT NUMBER 51723-ABB0000EFL Note: ① SEE NOTE 1	DIM	LENGTH FORMULAS (SEE NOTE 9)
	DIM "A"	.250 [6.35] x BB + .650 [16.51] (NOTE 9)
	DIM "B"	.250 [6.35] x BB + .350 [8.89]
	DIM "C"	.250 [6.35] x BB + .300 [7.62]
	DIM "F"	.250 [6.35] x BB + .680 [17.27]

CONNECTOR NOTES:

- ① PRODUCT NUMBER CODE:  
 51723 - A BB 000 00 E F LF
- NO THIS SUFFIX: 100u" / 2.54um SnPb ON PCB INTERFACE
  - ADD THIS SUFFIX: 78u" / 2.00um Sn ON PCB INTERFACE
  - RETENTION TO PCB (NOTE 7)
  - TAIL OPTIONS (NOTE 6)
  - ALWAYS '00' (ZERO,ZERO)
  - ALWAYS '000' (ZERO,ZERO,ZERO) (NOTE 5)
  - NUMBER OF POWER CONTACTS (NOTE 4)
  - PLATING (NOTE 3)
  - BASE NUMBER

- ② HOUSING MATERIAL: GLASS FILLED V-0 HIGH TEMP THERMO PLASTIC  
 POWER CONTACT MATERIAL: COPPER ALLOY
- ③ PLATING OPTION:  
 SEE PRINT OF 10064183 FOR PLATING SPEC OF 51723-1BB0000EFL; 51723-1BB0000EFLF
- ④ POWER CONTACTS, 01 TO 20 AVAILABLE.  
 MAXIMUM OF 20 POWER CONTACTS PER CONNECTOR
- ⑤ THIS PART IS NOT AVAILABLE WITH SIGNAL CONTACTS.
- ⑥ TAIL OPTIONS:  
 A = .135±0.010 [3.43±0.25] SOLDER TO BOARD  
 C = .135±0.010 [3.43±0.25] PRESS FIT

- ⑦ RETENTION TO PCB OPTIONS:  
 A = BOARD LOCK (REQUIRES .098 + 0.002, - 0.001 [2.49 + 0.05, - 0.03] THRU HOLE IN PCB).  
 B = 0.150 [3.81] THRU HOLE (REQUIRES 0.158±0.003 [4.01±0.08] THRU HOLE IN PCB).

- ⑧ MANUFACTURE'S NAME, P/N, AND DATE CODE TO APPEAR ON THIS SURFACE.

- ⑨ THE MAXIMUM OVERALL LENGTH (DIM A) OF A PART IS 8.00 [203.2].

10. PRODUCT SPECIFICATION GS-12-149.  
 11. REFERENCE 51697 FOR SPECIALS WORKSHEET.

PCB NOTES:

12. ALL DIMENSIONS ARE BASIC UNLESS OTHERWISE SPECIFIED.
13. ALL THROUGH HOLES ARE LOCATED WITH A TRUE POSITION OF 0.004 [0.10].
14. ALL HOLE DIAMETERS ARE FINISHED HOLE SIZE.
15. Ø0.0453±0.001 [1.151±0.02] DRILLED HOLES PLATED WITH 0.0003 [0.007] MIN SnPb OVER 0.001 [0.03] TO 0.003 [0.08] PLATING TO ACHIEVE A 0.040±0.003 [1.02±0.08] HOLE.
16. A SYMBOL WILL BE NEXT TO ANY DIMENSION, VIEW, OR NOTE WHICH HAS BEEN MODIFIED WITH THE CURRENT DRAWING REVISION.

mat'l code				SEE NOTE 2				tolerances unless otherwise specified				CUSTOMER				www.fciconnect.com			
ltr	ecn no.	dr	date	linear	.XX±.01/.X±.3	projection	COPY					title				RIGHT ANGLE HEADER w/GUIDE PIN POWER			
F				angles	.XXX±.005/.XX±.13		INCH/MM	product family				PWRBLADE				code			
				dr	.XXX±.0020/.XXX±.051	scale	3:2	size				dwg no				213			
				enr	0°±2°			sheet				51723				2 of 3			
				chr				revision											
				appd				sheet											
sheet index																			

1 | 2

Pro/E

PDM: Rev:F

STATUS: Released

Printed: Dec 20, 2010

Tous droits strictement reserves. Reproduction ou communication a des tiers interdite sous quelque forme que ce soit sans autorisation ecrite du proprietaire. Propriete de c FCI. Droits de reproduction FCI.

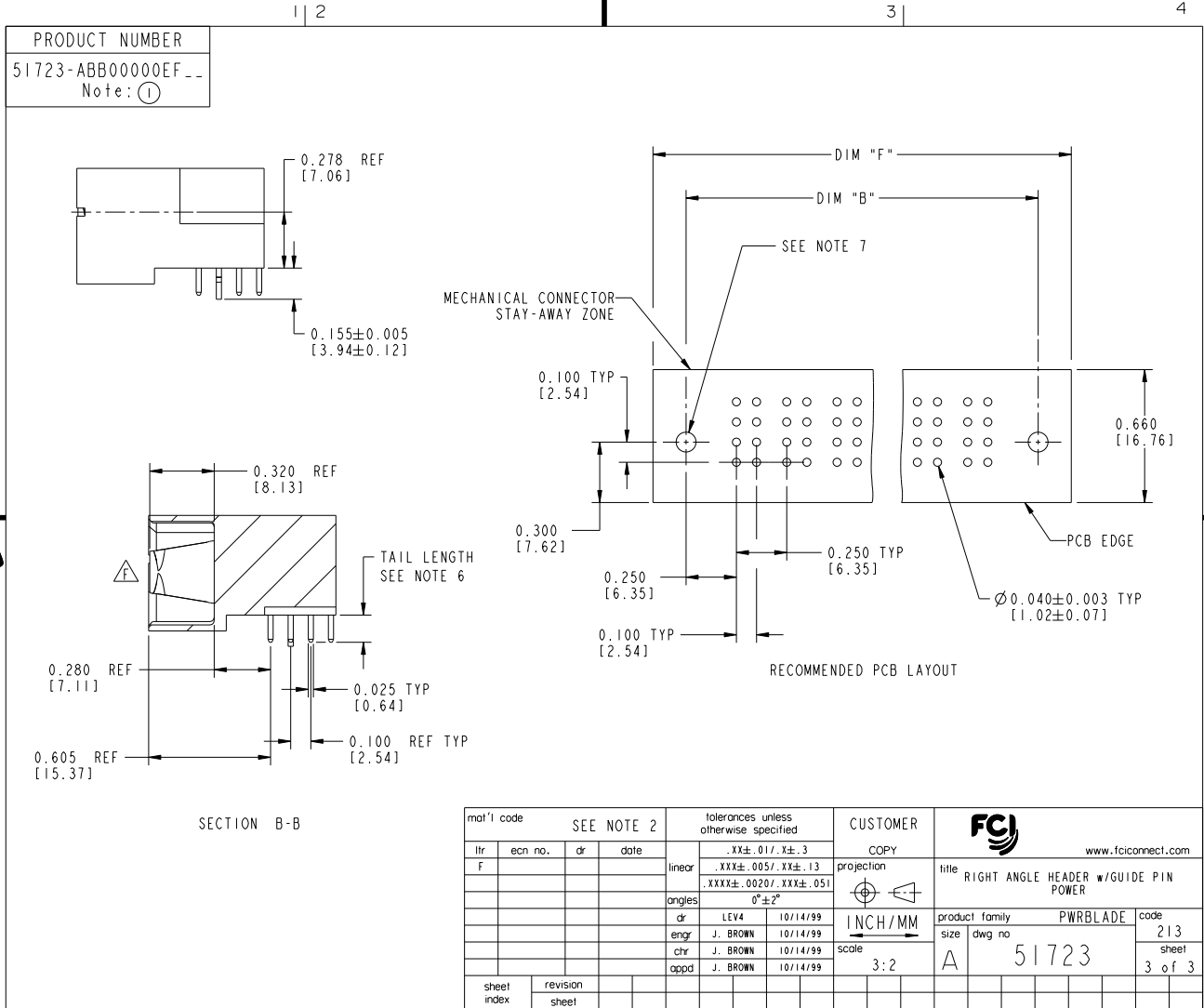


All rights strictly reserved. Reproduction or issue to third parties in any form whatsoever is not permitted without written authority from the proprietor. Property of FCI. Copyright FCI.

Tous droits strictement réservés. Reproduction ou communication à des tiers interdite sous quelque forme que ce soit sans autorisation écrite du propriétaire. Propriété de c FCI. Droits de reproduction FCI.



All rights strictly reserved. Reproduction or issue to third parties in any form whatsoever is not permitted without written authority from the proprietor. Property of FCI. Copyright FCI.



1 | 2

Pro/E

PDM: Rev:F

STATUS: Released

Printed: Dec 20, 2010