

Excellent Integrated System Limited

Stocking Distributor

Click to view price, real time Inventory, Delivery & Lifecycle Information:

[FCI](#)

[51730-095LF](#)

For any questions, you can email us directly:

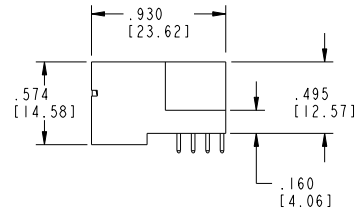
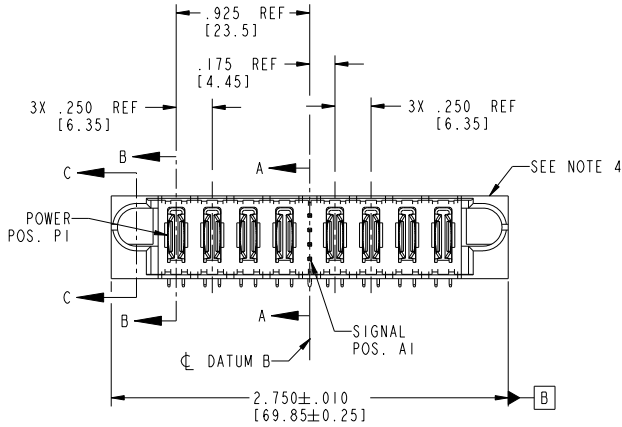
sales@integrated-circuit.com

Tous droits strictement réservés. Reproduction ou communication à des tiers interdite sans quelque forme que ce soit sans autorisation écrite du propriétaire. Propriété de c FCI. Droits de reproduction FCI.



All rights strictly reserved. Reproduction or issue to third parties in any form whatsoever is not permitted without written authority from the proprietor. Property of FCI. Copyright FCI.

PRODUCT NO.	ROWS	POWER				POWER				E2	
		E1	P1	P2	P3	P4	P5	P6	P7		P8
51730-095... NOTE: 3	D C B A										



CODE	DIM "M" MATING LENGTH	CONTACT TYPE
E	.220 [5.59]	SIGNAL
S	.270 [6.86]	SIGNAL
T	.270 [6.86]	SIGNAL
U	.270 [6.86]	SIGNAL
PA	N/A [N/A]	POWER

mat'l code		SEE NOTE 2		tolerances unless otherwise specified		CUSTOMER		FCI	
ltr	ech no.	dr	date	linear	.XX±.01/0.X±0.3	projection	COPY	www.fciconnect.com	
A	V04-0504	TAB	05/14/04	angles	.XXX±.005/0.XX±0.13		title	4P + 4S + 4P	
B	D605-0549	CS	12/19/05		.XXX±.0020/0.XXX±0.051			RIGHT ANGLE SOLDER HEADER	product family PwrBlade
C	D608-0253	SH	09/13/08		0°±?	INCH/MM	size	code 213	
D	D608-0272	WD	09/29/08	dr	T. BRUNGARD 05/14/04	scale	dwg no	sheet 1 of 4	
				enr	M. GRAY 05/14/04	1:1	A	51730-095	
				chr	M. GRAY 05/14/04				
				appd	M. GRAY 05/14/04				
sheet index	revision sheet	D 1	D 2	D 3	D 4				

Pro/E

PDM: Rev: D

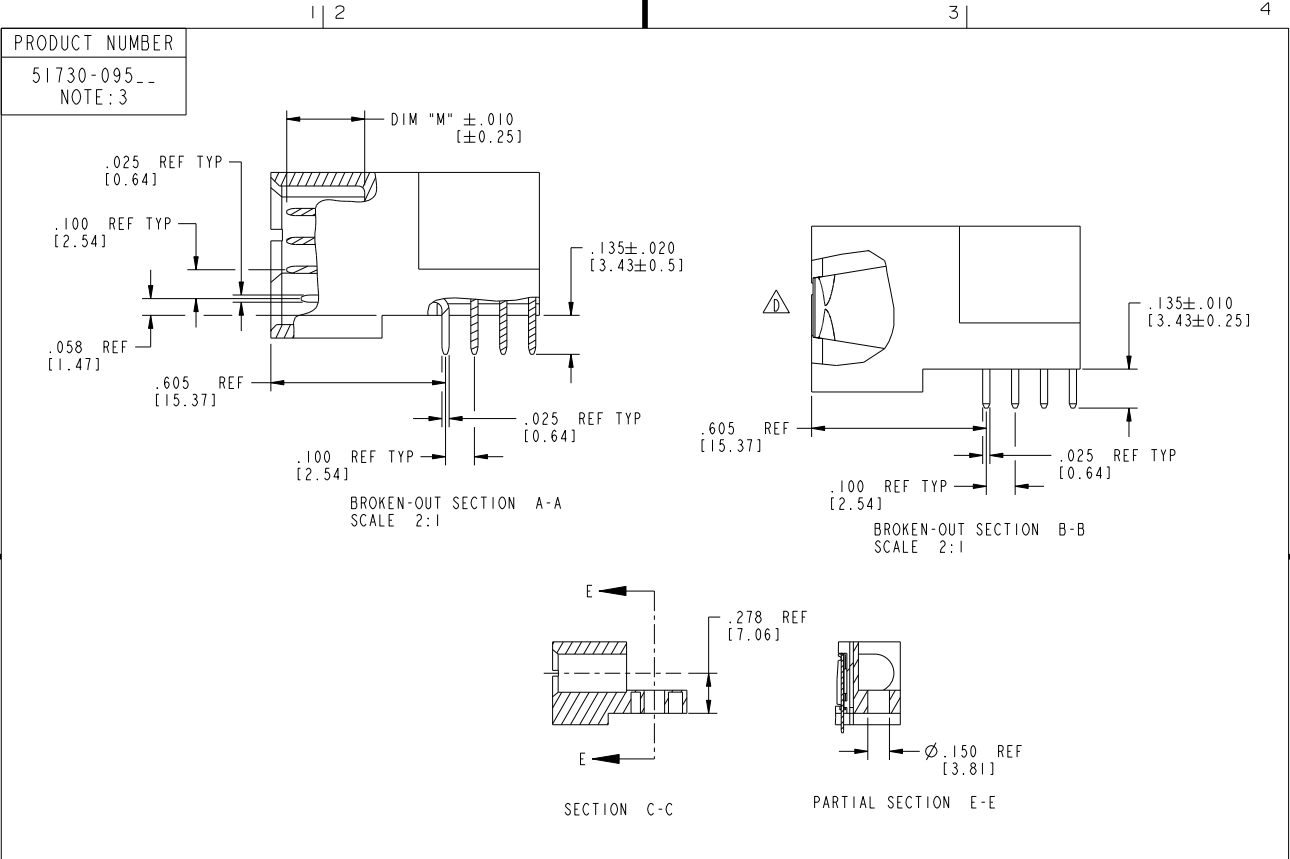
STAT: Released

Printed: Dec 20, 2010

Tous droits strictement réservés. Reproduction ou communication à des tiers interdite sous quelque forme que ce soit sans autorisation écrite du propriétaire. Propriété de c FCI. Droits de reproduction FCI.



All rights strictly reserved. Reproduction or issue to third parties in any form whatsoever is not permitted without written authority from the proprietor. Property of FCI. Copyright FCI.



mat'l code		SEE NOTE 2		tolerances unless otherwise specified		CUSTOMER		FCI		www.fciconnect.com	
ltr	ech no.	dr	date	linear	.XX±.01/0.X±0.3	projection	COPY	title	4P + 4S + 4P		
D				angles	.XXX±.005/0.XX±0.13	INCH/MM		RIGHT ANGLE SOLDER HEADER	product family	PwrBlade	
				dr	.XXX±.0020/0.XXX±0.051	scale	1:1	size	dwg no	code	
				enr	0°±2°			A	51730-095	213	
				chr						sheet	
				appd						2 of 4	
sheet index	revision sheet										

1 | 2

Pro/E

PDM: Rev: D

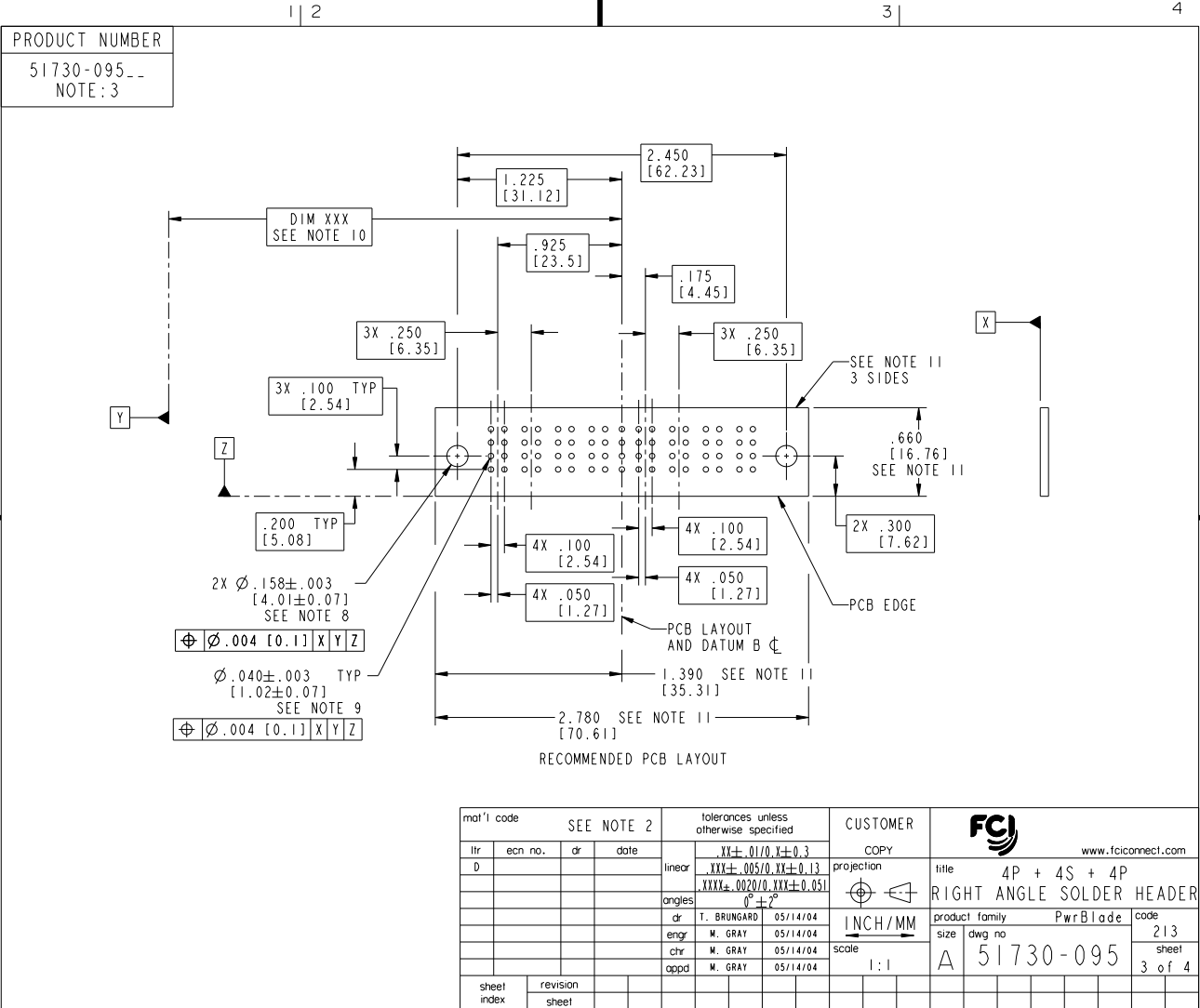
STATUS: Released

Printed: Dec 20, 2010

Tous droits strictement réservés. Reproduction ou communication à des tiers interdite sans quelque forme que ce soit sans autorisation écrite du propriétaire. Propriété de c FCI. Droits de reproduction FCI.



All rights strictly reserved. Reproduction or issue to third parties in any form whatsoever is not permitted without written authority from the proprietor. Property of FCI. Copyright FCI.



RECOMMENDED PCB LAYOUT

mat'l code				SEE NOTE 2		tolerances unless otherwise specified		CUSTOMER		FCI	
ltr	ech no.	dr	date	linear	.XX±.01/0.X±0.3	projection	COPY		www.fciconnect.com		
D				angles	.XXX±.005/0.XX±0.13		title		4P + 4S + 4P		
				dr	.XXX±.002/0.XXX±0.051		RIGHT ANGLE SOLDER HEADER		product family	PwrBlade	
				enr	0°±2°	INCH/MM		size	dwg no	code	213
				chr	T. BRUNGARD 05/14/04	scale		A	51730-095	sheet	3 of 4
				appd	M. GRAY 05/14/04	1:1					
sheet index	revision sheet										

1 | 2

Pro/E

PDM: Rev: D

STATUS: Released

Printed: Dec 20, 2010

Tous droits strictement réservés. Reproduction ou communication à des tiers interdite sous quelque forme que ce soit sans autorisation écrite du propriétaire. Propriété de c FCI. Droits de reproduction FCI.



All rights strictly reserved. Reproduction or issue to third parties, in any form whatsoever is not permitted without written authority from the proprietor. Property of FCI. Copyright FCI.

1 | 2

3 |

4

PRODUCT NUMBER
51730-095__
NOTE:3

NOTES:

1. DIMENSIONS AND TOLERANCES ARE IN ACCORDANCE WITH ASME Y14.5M, 1994 UNLESS OTHERWISE SPECIFIED.

CONNECTOR NOTES:

- ② HOUSING MATERIAL: UL 94 V-0 GLASS FILLED HIGH-TEMP THERMOPLASTIC
POWER CONTACT MATERIAL: COPPER ALLOY
SIGNAL PIN MATERIAL: COPPER ALLOY
- 3. SEE ITEM 1 & 2 IN PRINT 10064183 FOR PLATING SPEC OF 51730-095 AND 51730-095LF RESPECTIVELY.
- ④ MANUFACTURER'S NAME, P/N, AND DATE CODE TO APPEAR ON THIS SURFACE.
- 5. PRODUCT SPECIFICATION GS-12-149.
APPLICATION SPECIFICATION BUS-20-067.
- 6. PACKAGED IN TRAYS.

PCB NOTES:

- 7. ALL HOLE DIAMETERS ARE FINISHED HOLE SIZE.
- ⑧ MOUNTING HOLES, WHERE APPLICABLE, ARE UNPLATED.
- ⑨ $\varnothing .0453 \pm .0010$ [1.151 \pm 0.025] DRILLED HOLES PLATED WITH
.0003 [0.008] MIN SnPb OVER .001 [0.03]
TO .003 [0.08] Cu PLATING TO ACHIEVE
 $\varnothing .040 \pm .003$ [1.02 \pm .07] HOLE.
- ⑩ "DIM XXX" TO BE DETERMINED BY THE CUSTOMER.
- ⑪ CONNECTOR KEEP-OUT ZONE.
- 12. A/D SYMBOL WILL BE NEXT TO ANY DIMENSION, VIEW, OR NOTE WHICH HAS BEEN MODIFIED WITH THE CURRENT DRAWING REVISION.

mat'l code				SEE NOTE 2		tolerances unless otherwise specified		CUSTOMER		FCI		www.fciconnect.com	
ltr	ech no.	dr	date	linear	.XX±.01/0.X±0.3	projection	COPY		title		4P + 4S + 4P		
D				angles	.XXX±.005/0.XX±0.13		RIGHT ANGLE SOLDER HEADER		product family		PwrBlade		code
				dr	.XXX±.0020/0.XXX±0.051		INCH/MM		size		dwg no		213
				engr	T. BRUNGARD 05/14/04	scale		A		51730-095		sheet	4 of 4
				chr	M. GRAY 05/14/04	1:1							
				appd	M. GRAY 05/14/04								
sheet index	revision sheet												

1 | 2

Pro/E

PDM: Rev:D

STATUS: Released

Printed: Dec 20, 2010