

## Excellent Integrated System Limited

Stocking Distributor

Click to view price, real time Inventory, Delivery & Lifecycle Information:

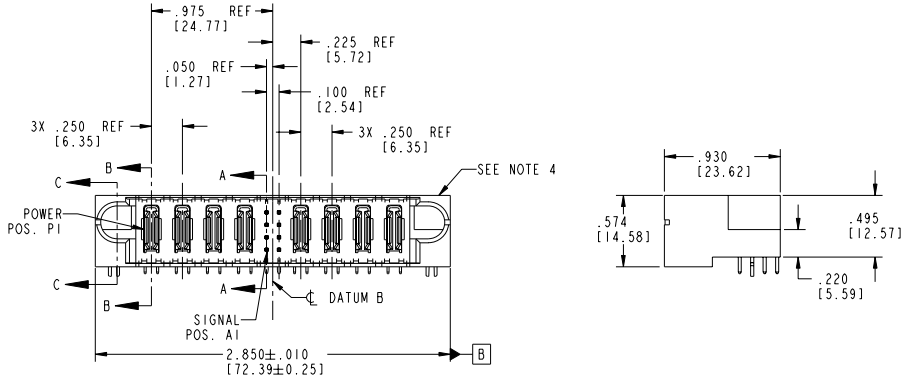
[FCI](#)  
[51730-101](#)

For any questions, you can email us directly:  
[sales@integrated-circuit.com](mailto:sales@integrated-circuit.com)

Tous droits strictement réservés. Reproduction ou communication de ces lignes infidèle sous quelque forme que ce soit sans autorisation écrite du propriétaire. Propriété de c FCI. Droits de reproduction FCI.

All rights strictly reserved. Reproduction or issue in third parties in any form without written authority from the proprietor. Property of FCI. Copyright FCI.

PRODUCT NO. 51730-101-- NOTE:3	ROWS D C B A	POWER				SIG	POWER				
		E1	P1	P2	P3	P4	P5	P6	P7	P8	E2



CODE	DIM "M" MATING LENGTH	CONTACT TYPE
G	.220 [5.59]	SIGNAL
R	.270 [6.86]	SIGNAL
S	.270 [6.86]	SIGNAL
T	.270 [6.86]	SIGNAL
U	.270 [6.86]	SIGNAL
PA	N/A [N/A]	POWER
HA	N/A [N/A]	HOLD-DOWN

mat'l code		SEE NOTE 2	tolerances unless otherwise specified	CUSTOMER	www.fciconnect.com
ltr	ecm no.	dr	date	COPY	
A	V04-0869	TAB	09/01/04	linear	title 4P + 8S + 4P RIGHT ANGLE SOLDER HEADER product family PwrBlade code 213 size dwg no 51730-101 sheet 1 of 4 scale 1:1
B	D605-0463	CS	11/14/05	projection	
angles		dr	T. BRUNGARD 09/01/04	INCH/MM	code code 22526
engr		chr	M. GRAY 09/01/04	size	
oppd		chr	M. GRAY 09/01/04	dwg no	
sheet index		revision sheet	B 1 2 3 4	code	

**PDM: Rev:B**

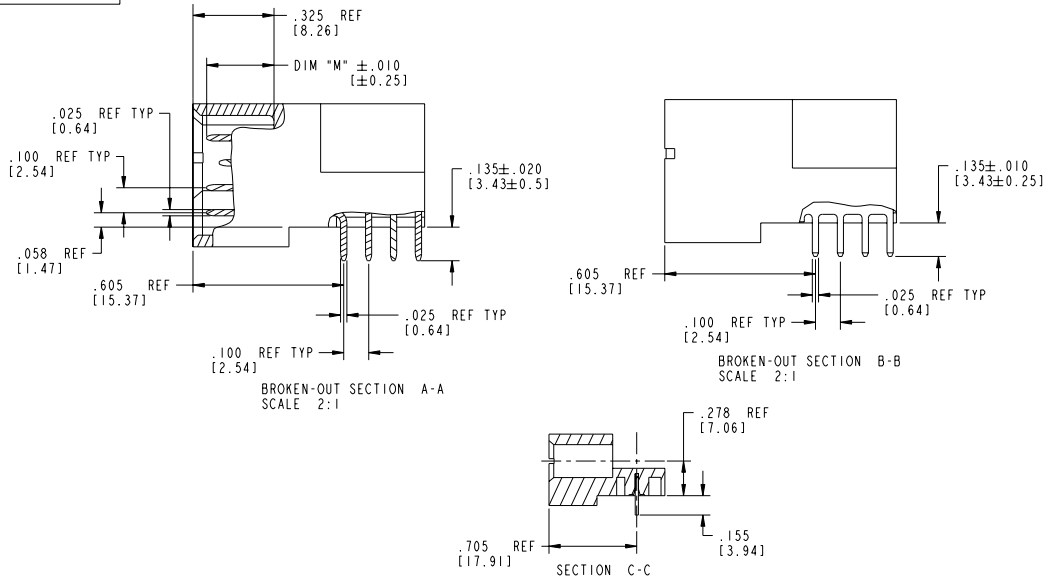
**STATUS: Released**

Printed: Dec 20, 2010

Tous droits strictement réservés. Reproduction ou communication de ces lignes interdite sans autorisation écrite du propriétaire. Propriété de FCI. Droits de reproduction FCI.

All rights strictly reserved. Reproduction or issue to third parties in any form without written authority from the proprietor. Property of FCI. Copyright FCI.

PRODUCT NUMBER  
51730-101  
NOTE: 3



mat'l code		SEE NOTE 2	tolerances unless otherwise specified		CUSTOMER		FCI	
ltr	ecm no.	dr	date	linear	XX±.01/0.XX±0.3	COPY	www.fciconnect.com	
B				linear	XXX±.005/0.XX±0.13	projection	title 4P + 8S + 4P	
				angles	XXXX±.0020/0.XX±0.051	INCH/MM	RIGHT ANGLE SOLDER HEADER	
				dr	0° ± 7°	product family	PwrBlade	code 213
				engr	T. BRUNGARD 09/01/04	size	51730-101	sheet 2 of 4
				chr	M. GRAY 09/01/04	scale	A	
				appd	M. GRAY 09/01/04			
sheet index	revision sheet							

Pro/E

cage code 22526

**PDM: Rev:B**

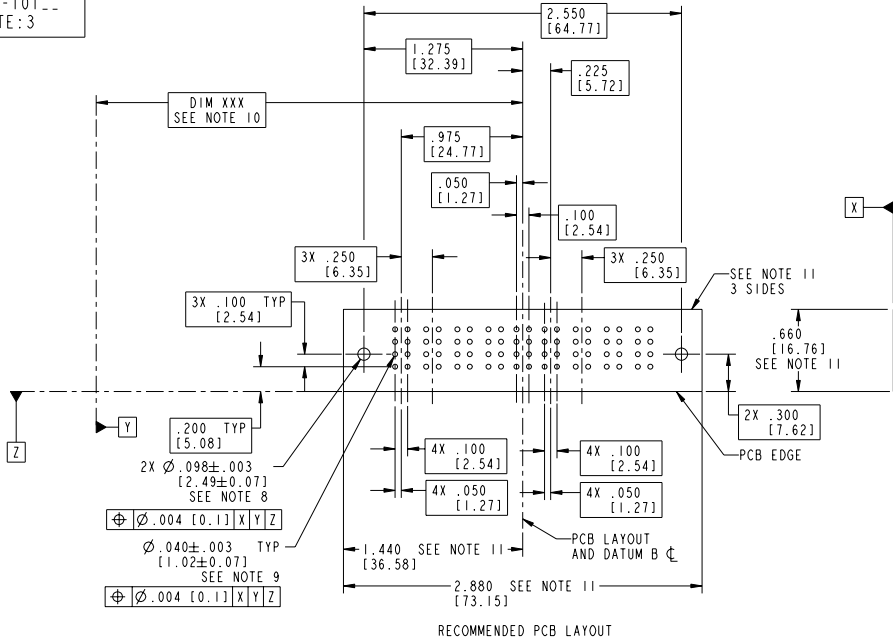
**STATUS: Released**

Printed: Dec 20, 2010

Tous droits strictement réservés. Reproduction ou communication de ces lignes interdite sous quelque forme que ce soit sans autorisation écrite du propriétaire. Propriété de c FCI. Droits de reproduction FCI.

All rights strictly reserved. Reproduction or issue in third parties in any form whatever is not permitted without written authority from the proprietor. Property of FCI. Copyright FCI.

PRODUCT NUMBER  
51730-101...  
NOTE: 3



RECOMMENDED PCB LAYOUT

mat'l code				SEE NOTE 2	tolerances unless otherwise specified	CUSTOMER		FCI	
ltr	ecn no.	dr	date	linear	.XX±.01/0.XX±0.3	COPY		www.fciconnect.com	
B				angles	.XXX±.005/0.XX±0.13	projection		title	
				dr	.XXX±.0025/0.XX±0.051	INCH/MM		4P + 8S + 4P	
				engr	0°±	scale		RIGHT ANGLE SOLDER HEADER	
				chr	T. BRUNGARD 09/01/04	1:1		product family	
				appd	M. GRAY 09/01/04	A		PwrBlade	
					M. GRAY 09/01/04	size		code	
					M. GRAY 09/01/04	dwg no		213	
sheet index	revision sheet					51730-101		sheet 3 of 4	
						code code		22526	

PDM: Rev:B

STATUS:Released

Printed: Dec 20, 2010

Tous droits strictement réservés. Reproduction ou communication de ces lignes interdit  
 sous quelque forme que ce soit sans autorisation écrite du propriétaire.  
 Property of FCI. Copyright FCI.

All rights strictly reserved. Reproduction or issue in third parties in any  
 form whatever is not permitted without written authority from the proprietor.  
 Property of FCI. Copyright FCI.

PRODUCT NUMBER  
 51730-101  
 NOTE: 3

NOTES:

1. DIMENSIONS AND TOLERANCES ARE IN ACCORDANCE WITH  
 ASME Y14.5M, 1994 UNLESS OTHERWISE SPECIFIED.

CONNECTOR NOTES:

2. HOUSING MATERIAL: UL 94 V-0 GLASS FILLED  
 HIGH-TEMP THERMOPLASTIC  
 POWER CONTACT MATERIAL: COPPER ALLOY  
 SIGNAL PIN MATERIAL: COPPER ALLOY

3. PLATING:  
 51730-101 Singal Pin: 30u"/0.76um Au OVER 50u"/1.27um Ni ON THE CONTACT AREA.  
 AND 100u"/2.54um SnPb PLATING OVER 50u"/1.27um Ni ON THE TERMINATION SECTION.  
 Power Pin: 30u"/0.76um Au OVER 50u"/1.27um Ni ON THE CONTACT AREA,  
 AND 100u"/2.54um SnPb PLATING OVER 50u"/1.27um Ni ON THE TERMINATION SECTION.  
 51730-101LF Singal Pin: 30u"/0.76um Au OVER 50u"/1.27um Ni ON THE CONTACT AREA.  
 AND 78u"/2.00um Sn PLATING OVER 50u"/1.27um Ni ON THE TERMINATION SECTION.  
 Power Pin: 30u"/0.76um Au OVER 50u"/1.27um Ni ON THE CONTACT AREA,  
 AND 78u"/2.00um Sn PLATING OVER 50u"/1.27um Ni ON THE TERMINATION SECTION.

PART NUMBER model name: ILF MEETS EUROPEAN UNION DIRECTIVE AND OTHER COUNTRY REGULATIONS AS DESCRIBED IN GS-22-008.

THE HOUSING WILL WITHSTAND EXPOSURE TO 260° PEAK TEMPERATURE FOR 10 SECONDS IN A WAVE SOLDER APPLICATION WITH A CIRCUIT BOARD.

4. MANUFACTURER'S NAME, P/N, AND DATE CODE TO APPEAR ON  
 THIS SURFACE.

5. PRODUCT SPECIFICATION GS-12-149,  
 APPLICATION SPECIFICATION BUS-20-067.

6. PACKAGED IN TRAYS.

PCB NOTES:

7. ALL HOLE DIAMETERS ARE FINISHED HOLE SIZE.

8. MOUNTING HOLES, WHERE APPLICABLE, ARE UNPLATED.

9.  $\varnothing .0453 \pm .0010$  [1.151 ± 0.025] DRILLED HOLES PLATED WITH  
 .0003 [0.008] MIN SnPb OVER .001 [0.03]  
 TO .003 [0.08] Cu PLATING TO ACHIEVE  
 $\varnothing .040 \pm .003$  [1.02 ± .07] HOLE.

10. "DIM XXX" TO BE DETERMINED BY THE CUSTOMER.

11. CONNECTOR KEEP-OUT ZONE.

mat'l code		SEE NOTE 2	tolerances unless otherwise specified	CUSTOMER	
ltr	ecm no.	dr	date	projection	title
B				linear	4P + 8S + 4P
				angles	RIGHT ANGLE SOLDER HEADER
				dr	product family PwrBlade
				engr	size
				chr	dwg no
				appd	51730-101
				scale	213
					sheet
					4 of 4
sheet index	revision sheet				

code code 22526

**PDM: Rev:B** STATUS: **Released**

Printed: Dec 20, 2010