

## Excellent Integrated System Limited

Stocking Distributor

Click to view price, real time Inventory, Delivery & Lifecycle Information:

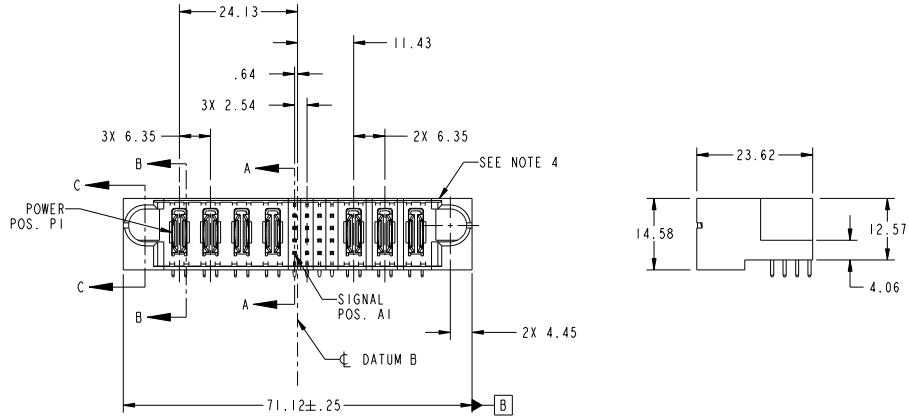
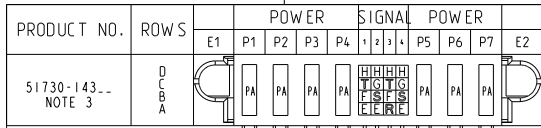
[FCI](#)  
[51730-143LF](#)

For any questions, you can email us directly:  
[sales@integrated-circuit.com](mailto:sales@integrated-circuit.com)

Tous droits strictement réservés. Reproduction ou communication à des tiers interdite sous quelque forme que ce soit sans autorisation écrite du propriétaire. Propriété de E. FCI. Droits de reproduction FCI.



All rights strictly reserved. Reproduction or issue to third parties in any form whatever is not permitted without written authority from the proprietor. Property of FCI. Copyright FCI.



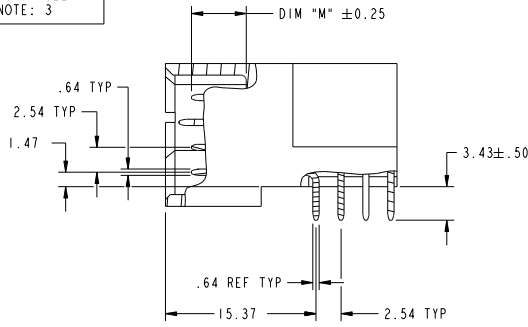
CODE	DIM "M" MATING LENGTH	CONTACT TYPE
PA	[N/A]	POWER
E	[5.59]	SIGNAL
F	[5.59]	SIGNAL
G	[5.59]	SIGNAL
H	[5.59]	SIGNAL
R	[6.86]	SIGNAL
S	[6.86]	SIGNAL
T	[6.86]	SIGNAL

mat'l code		SEE NOTE		tolerances unless otherwise specified		CUSTOMER	
ltr	ecm no.	dr	date	linear	0.X ± 0.5	COPY	www.fciconnect.com
A	DG08-0091	SH	04/10/08		0.XX ± 0.25	projection	
B	DG08-0272	JW	09/29/08		0.XXX ± 0.1		title 4P + 16S + 3P
				angles	0° ± 2°	MM	RIGHT ANGLE SOLDER HEADER
				dr	Sincere He 04/10/08	scale	product family PwrBlade
				enr	Sincere He 04/10/08	size	code 213
				chr	Gary Hsieh 04/10/08	dwg no	sheet 1 of 4
				opd	Joseph Hsiao 04/10/08	scale 1:1	product family PwrBlade
sheet index	revision sheet	B 1	B 2	B 3	B 4	size	code 22526

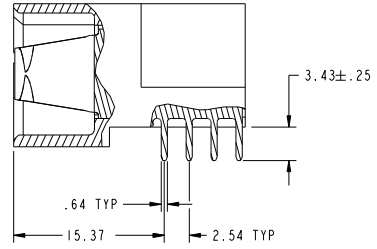
Tous droits strictement réservés. Reproduction ou communication à des tiers interdite sous quelque forme que ce soit sans autorisation écrite du propriétaire. Propriété de FCI. Droits de reproduction FCI.

All rights strictly reserved. Reproduction or issue to third parties in any form whatever is not permitted without written authority from the proprietor. Property of FCI. Copyright FCI.

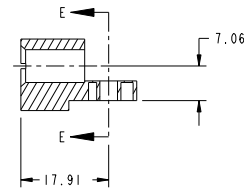
PRODUCT NUMBER  
51730-143...  
NOTE: 3



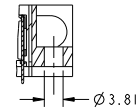
BROKEN-OUT SECTION A-A  
SCALE 2:1



BROKEN-OUT SECTION B-B  
SCALE 2:1



SECTION C-C



PARTIAL SECTION E-E

mat'l code		SEE NOTE		tolerances unless otherwise specified		CUSTOMER	
ltr	ecm no.	dr	date	linear	0.X ±0.5	COPY	www.fciconnect.com
B					0.XX ±0.25	projection	
				angles	0.XXX ±0.1		title
				dr	0° ±2°	MM	4P + 16S + 3P
				enr		scale	RIGHT ANGLE SOLDER HEADER
				chr	Sincere He 04/10/08	1:1	product family
				oppd	Sincere He 04/10/08		PwrBlade
					Gary Hsieh 04/10/08		size
					Joseph Hsia 04/10/08		dwg no
sheet index	revision sheet						A
							51730-143
							code
							213
							sheet
							2 of 4
							cage code
							22526

Pro/E

3

cage code 22526

PDM: Rev:B

STATUS: Released

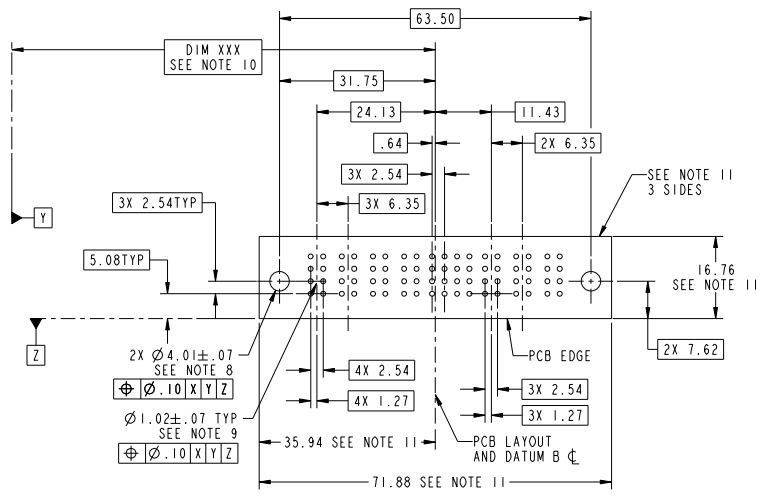
Printed: Dec 20, 2010

Tous droits strictement réservés. Reproduction ou communication à des tiers interdite sous quelque forme que ce soit sans autorisation écrite du propriétaire. Propriété de E. FCI. Droits de reproduction FCI.



All rights strictly reserved. Reproduction or issue to third parties in any form whatever is not permitted without written authority from the proprietor. Property of FCI. Copyright FCI.

PRODUCT NUMBER  
51730-143...  
NOTE: 3



RECOMMENDED PCB LAYOUT

mat'l code		SEE NOTE	tolerances unless otherwise specified	CUSTOMER	FCI	
ltr	ecm no.	dr	date	linear	0.X ± 0.5	www.fciconnect.com
B				angles	0.XX ± 0.25	
				projection	0.XXX ± 0.1	
				MM	0° ± 2°	
				scale	1:1	
sheet index	revision sheet			product family	PwrBlade	code
				size	51730-143	213
				dwg no		sheet
				scale		3 of 4
				cage code	22526	

Pro/E

PDM: Rev:B

STATUS: Released

Printed: Dec 20, 2010

Tous droits strictement réservés. Reproduction ou communication à des tiers interdite sous quelque forme que ce soit sans autorisation écrite du propriétaire. Propriété de FCI. Droits de reproduction FCI.

All rights strictly reserved. Reproduction or issue to third parties in any form whatever is not permitted without written authority from the proprietor. Property of FCI. Copyright FCI.

PRODUCT NUMBER  
51730-143...  
NOTE: 3

NOTES:

1. DIMENSIONS AND TOLERANCES ARE IN ACCORDANCE WITH ASME Y14.5M, 1994 UNLESS OTHERWISE SPECIFIED.

CONNECTOR NOTES:

- 2. HOUSING MATERIAL: UL 94 V-0 GLASS FILLED  
HIGH-TEMP THERMOPLASTIC  
POWER CONTACT MATERIAL: COPPER ALLOY  
SIGNAL PIN MATERIAL: COPPER ALLOY
- 3. PLATING:  
SEE ITEM 1 & 2 IN PRINT 10064183 FOR PLATING SPEC OF 51730-143; 51730-143LF RESPECTIVELY
- 4. MANUFACTURER'S NAME, P/N, AND DATE CODE TO APPEAR ON THIS SURFACE.
- 5. PRODUCT SPECIFICATION GS-12-149.  
APPLICATION SPECIFICATION BUS-20-067.

6. PACKAGED IN TRAYS.

PCB NOTES:

- 7. ALL HOLE DIAMETERS ARE FINISHED HOLE SIZE.
- 8. MOUNTING HOLES, WHERE APPLICABLE, ARE UNPLATED.
- 9.  $\varnothing 1.151 \pm 0.025$  DRILLED HOLES PLATED WITH 0.008 MIN SnPb OR Sn OVER 0.03 TO 0.08 Cu PLATING TO ACHIEVE  $\varnothing 1.02 \pm .07$  HOLE.
- 10. "DIM XXX" TO BE DETERMINED BY THE CUSTOMER.
- 11. CONNECTOR KEEP-OUT ZONE.

12. A  $\Delta$  SYMBOL WILL BE NEXT TO ANY DIMENSION, VIEW, OR NOTE WHICH HAS BEEN MODIFIED WITH THE CURRENT DRAWING REVISION.

SEE NOTE				tolerances unless otherwise specified		CUSTOMER	
ltr	ecn no.	dr	date	linear	0.X ± 0.5	COPY	
B					0.XX ± 0.25	projection	www.fciconnect.com
				angles	0.XXX ± 0.1		title
				dr	0° ± 2°	MM	4P + 16S + 3P
				engr	Sincere He 04/10/08	scale	RIGHT ANGLE SOLDER HEADER
				chr	Gary Hsieh 04/10/08	product family	PwrBlade
				appd	Joseph Hsia 04/10/08	size	code
sheet index	revision sheet					1:1	213
						A	4 of 4
							dwg no
							51730-143
							sheet
							4 of 4

Pro/E

cage code 22526