

Excellent Integrated System Limited

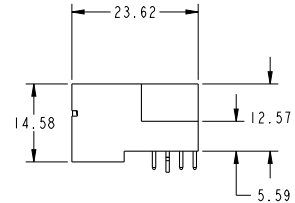
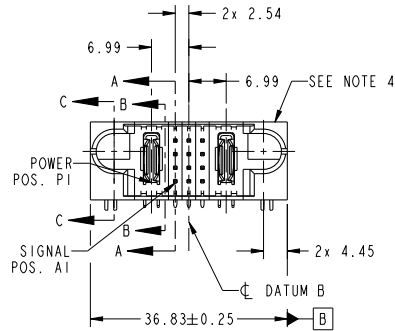
Stocking Distributor

Click to view price, real time Inventory, Delivery & Lifecycle Information:

[FCI](#)
[51730-207LF](#)

For any questions, you can email us directly:
sales@integrated-circuit.com

PRODUCT NO.	ROWS	PDW		SIG			PDW	
		E1	P1	1	2	3	P2	E2
51730-207... NOTE 3	D C B A							



CODE	DIM "M" MATING LENGTH	CONTACT TYPE
H	[5.59]	SIGNAL
G	[5.59]	SIGNAL
F	[5.59]	SIGNAL
R	[6.86]	SIGNAL
E	[5.59]	SIGNAL
PA	[N/A]	POWER
HA	[N/A]	HOLD-DOWN

spec ref	*	dr	Luo Weller	2013/05/14	projection		size	A4	scale	1:1
tolerance std	ASME Y14.5	eng	Luo Weller	2013/05/23	chr	-	ecn no	-	rel level	Released
surface	linear	appr	Pei-Ming Zheng	2013/05/23	product family	PwrBlade	cat. no.	-	Product - Customer Drw	sheet 1 of 4
ASME Y14.5	angular	www.fci.com	cat. no.	-	Product - Customer Drw	sheet 1 of 4	rel level	Released	rev	A
	0.X	±0.5								
	0.XX	±0.25								
	0.XXX	±0.1								
	0°	±2°								

Print File: REV C - 2009-06-09

1

2

3

PDS: Rev :A

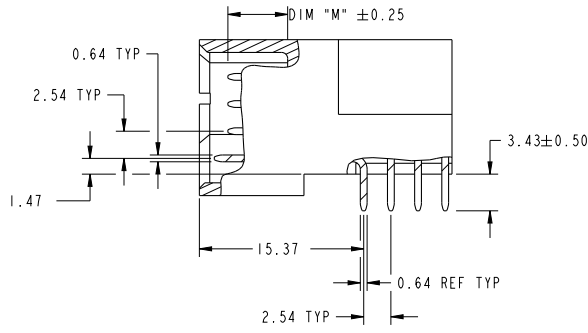
STATUS:Released

Printed: May 23, 2013

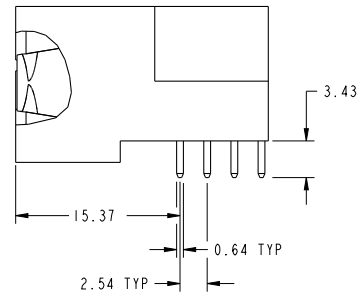


Copyright FCI.

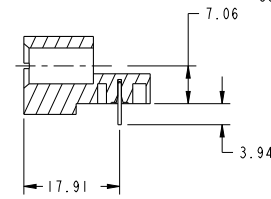
PRODUCT NUMBER
51730-207...
NOTE: 3



BROKEN-OUT SECTION A-A
SCALE 2:1



BROKEN-OUT SECTION B-B
SCALE 2:1



SECTION C-C

dr	Luo Weller	2013/05/14	projection	MM	size	A4	scale	1:1
eng	Luo Weller	2013/05/23			ecn no	-	rel level	
chr	-	-			product family	PwrBlade	Released	
appr	Pei-Ming Zheng	2013/05/23				dwg no	51730-207	rev
www.fci.com			title IP+12S+IP RIGHT ANGLE SOLDER HEADER			cat. no. -		Product - Customer Drw
						sheet 2 of 4		

Print File - REV C - 2009-06-09

PDS: Rev :A

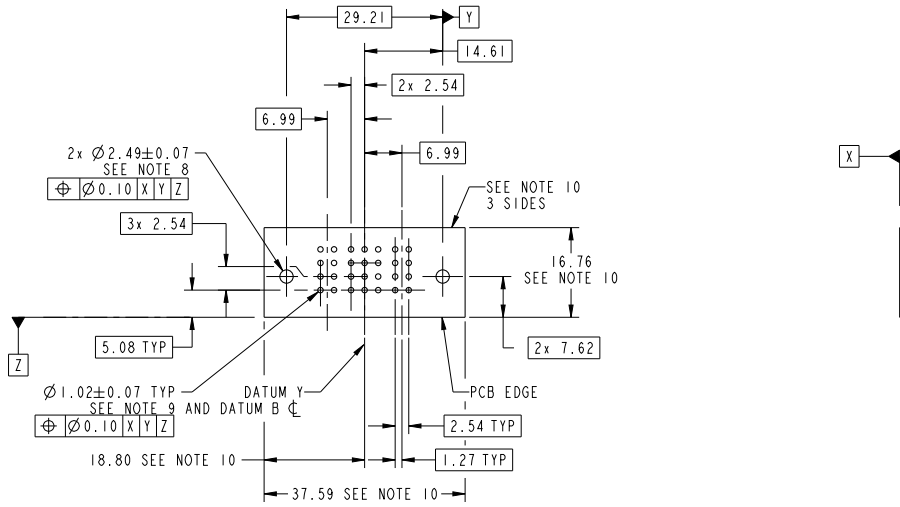
STATUS:Released

Printed: May 23, 2013



Copyright FCI.

PRODUCT NUMBER
51730-207...
NOTE: 3



RECOMMENDED PCB LAYOUT

dr	Luo Weller	2013/05/14	projection	MM	size	A4	scale	1:1
eng	Luo Weller	2013/05/23			ecn no	-	rel level	Released
chr	-	-			product family	PwrBlade		
appr	Pei-Ming Zheng	2013/05/23				IP+12S+IP RIGHT ANGLE SOLDER HEADER		rev A
www.fci.com			cat. no.	-	Product - Customer Drw		sheet 3 of 4	

Print File - REV C - 2009-06-09

PDS: Rev :A

STATUS:Released

Printed: May 23, 2013

PRODUCT NUMBER

51730-207-
NOTE: 3

NOTES:

1. DIMENSIONS AND TOLERANCES ARE IN ACCORDANCE WITH ASME Y14.5M, 1994 UNLESS OTHERWISE SPECIFIED.

CONNECTOR NOTES:

2. HOUSING MATERIAL: UL 94 V-0 GLASS FILLED HIGH-TEMP THERMOPLASTIC
POWER CONTACT MATERIAL: COPPER ALLOY
SIGNAL PIN MATERIAL: COPPER ALLOY

3. SEE ITEM 1 & 2 IN PRINT 10064183 FOR PLATING SPEC OF 51730-207 AND 51730-207LF RESPECTIVELY.

4. MANUFACTURER'S NAME, DATE CODE AND OPTIONAL P/N TO APPEAR ON THIS SURFACE. THE MARK CAN BE OMITTED IF THERE IS NOT ENOUGH SPACE ON THIS SURFACE.

5. PRODUCT SPECIFICATION GS-12-149.
APPLICATION SPECIFICATION BUS-20-067.

6. PACKAGED IN TRAYS.

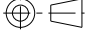








PCB NOTES:

7. ALL HOLE DIAMETERS ARE FINISHED HOLE SIZE.

8. MOUNTING HOLES, WHERE APPLICABLE, ARE UNPLATED.

9. $\varnothing 1.151 \pm 0.025$ DRILLED HOLES PLATED WITH
0.008 MIN SnPb OR Sn OVER 0.03
TO 0.08 Cu PLATING TO ACHIEVE
 $\varnothing 1.02 \pm 0.07$ HOLE.

10. CONNECTOR KEEP-OUT ZONE.

dr	Luo Weller	2013/05/14	projection		MM	size	A4	scale	1:1	
eng	Luo Weller	2013/05/23	ecn no			-				
chr	-	-	product family	PwrBlade	rel level	Released				
appr	Pei-Ming Zheng	2013/05/23								
			title	IP+12S+IP		dwg no	51730-207		rev	A
			cat. no.	-		Product - Customer Drw			sheet 4 of 4	

Print File - REV C - 2009-06-09



Copyright FCI.