

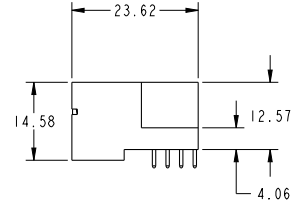
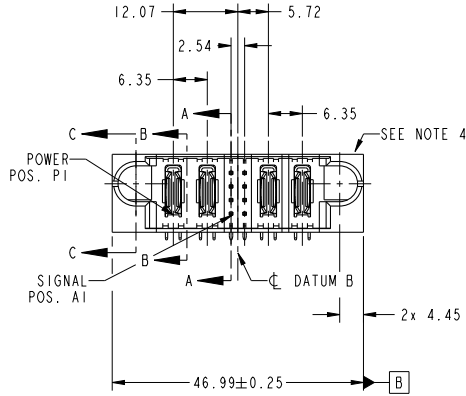
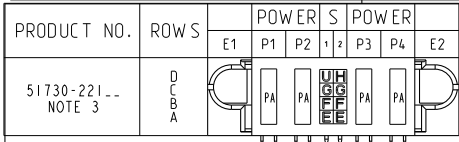
## Excellent Integrated System Limited

Stocking Distributor

Click to view price, real time Inventory, Delivery & Lifecycle Information:

[FCI](#)  
[51730-221LF](#)

For any questions, you can email us directly:  
[sales@integrated-circuit.com](mailto:sales@integrated-circuit.com)



CODE	DIM "M" MATING LENGTH	CONTACT TYPE
G	[5.59]	SIGNAL
F	[5.59]	SIGNAL
E	[5.59]	SIGNAL
U	[6.86]	SIGNAL
H	[5.59]	SIGNAL
PA	[N/A]	POWER

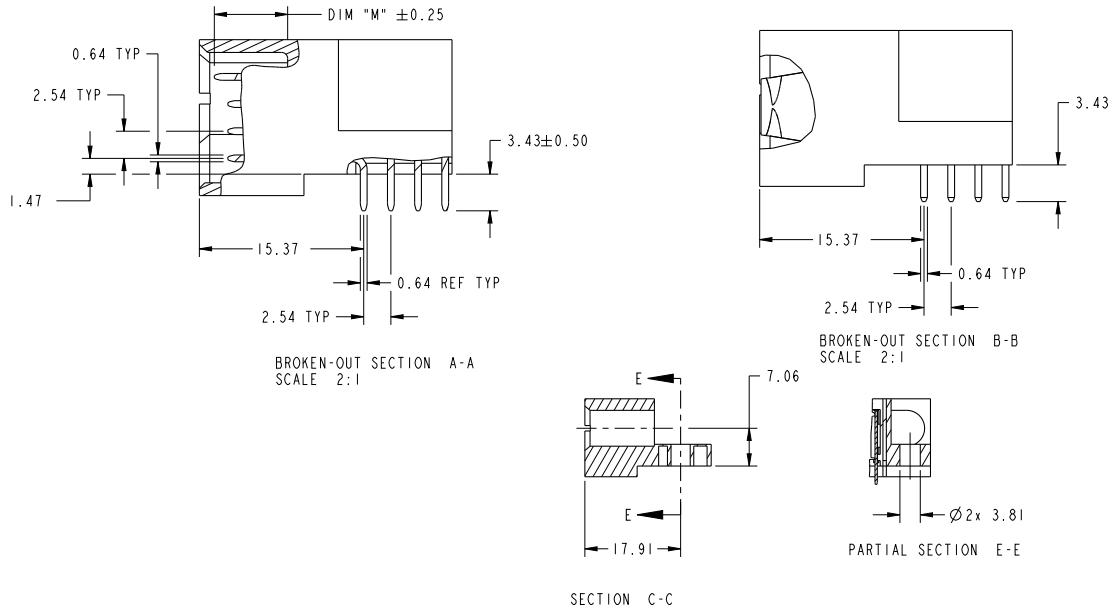
spec ref	*	dr	Ruan MT	2014/02/17	projection	MM	size	A4	scale	1:1			
tolerance std	ASME Y14.5	TOLERANCES UNLESS OTHERWISE SPECIFIED	eng	Ruan MT	2014/02/27		ecn no	-	rel level	Released			
surface	ASME Y14.5	linear	0.X	±0.5	0.XX		±0.25	0.XXX	±0.1	angular	0°	±2°	
		FCJ		2P + 8S + 2P		RIGHT ANGLE SOLDER HEADER		www.fci.com		cat. no.	-	Product - Customer Drw	sheet 1 of 4



Copyright FCI.

Prod File - REV C - 2009-08-09

PRODUCT NUMBER  
51730-221...  
NOTE: 3

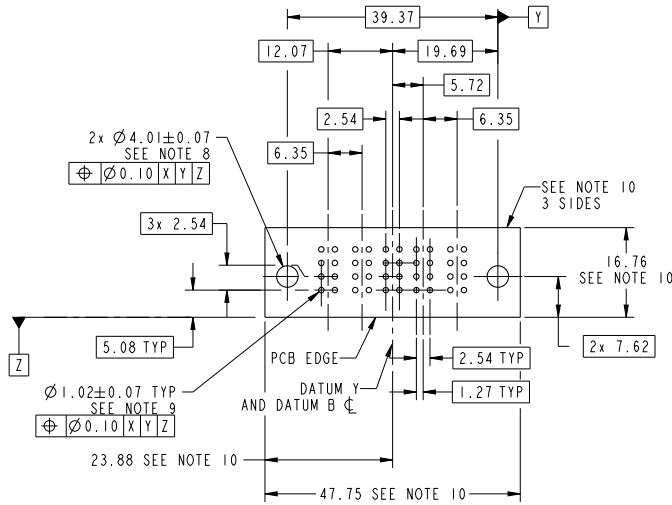


dr	Ruan MT	2014/02/17	projection	MM	size	A4	scale	1:1
eng	Ruan MT	2014/02/27			ecn no	-	rel level	Released
chr	-	-			product family	PwrBlade		
appr	Pei-Ming Zheng	2014/02/27			title	2P + 8S + 2P		dwg no 51730-221 rev A
www.fci.com			cat. no. -		Product - Customer Drw			

Copyright FCI.  
 FCI

Print File - REV C - 2009-06-09

PRODUCT NUMBER  
51730-221--  
NOTE: 3



RECOMMENDED PCB LAYOUT

dr	Ruan MT	2014/02/17	projection	MM	size	A4	scale	1:1
eng	Ruan MT	2014/02/27			ecn no	-	rel level	Released
chr	-	-			product family	PwrBlade	rev	A
appr	Pei-Ming Zheng	2014/02/27			2P + 8S + 2P RIGHT ANGLE SOLDER HEADER		www.fci.com cat. no. -	Product - Customer Drw sheet 3 of 4
			product family	PwrBlade	rel level	Released	rev A	www.fci.com cat. no. -
			product family	PwrBlade	rel level	Released	rev A	www.fci.com cat. no. -

Print File - REV C - 2009-06-09



Copyright FCI.

**PRODUCT NUMBER**

51730-221--  
NOTE: 3

**NOTES:**

1. DIMENSIONS AND TOLERANCES ARE IN ACCORDANCE WITH ASME Y14.5M, 1994 UNLESS OTHERWISE SPECIFIED.

**CONNECTOR NOTES:**

- 2. HOUSING MATERIAL: UL 94 V-0 GLASS FILLED HIGH-TEMP THERMOPLASTIC  
POWER CONTACT MATERIAL: COPPER ALLOY  
SIGNAL PIN MATERIAL: COPPER ALLOY
- 3. SEE ITEM 1 & 2 IN PRINT 10064183 FOR PLATING SPEC OF 51730-221 AND 51730-221LF RESPECTIVELY.

4. MANUFACTURER'S NAME, DATE CODE AND OPTIONAL P/N TO APPEAR ON THIS SURFACE. THE MARK CAN BE OMITTED IF THERE IS NOT ENOUGH SPACE ON THIS SURFACE.

5. PRODUCT SPECIFICATION GS-12-149.  
APPLICATION SPECIFICATION BUS-20-067.

6. PACKAGED IN TRAYS.

**PCB NOTES:**

7. ALL HOLE DIAMETERS ARE FINISHED HOLE SIZE.

8. MOUNTING HOLES, WHERE APPLICABLE, ARE UNPLATED.

9.  $\varnothing 1.151 \pm 0.025$  DRILLED HOLES PLATED WITH  
0.008 MIN SnPb OR Sn OVER 0.03  
TO 0.08 Cu PLATING TO ACHIEVE  
 $\varnothing 1.02 \pm 0.07$  HOLE.

10. CONNECTOR KEEP-OUT ZONE.

dr	Ruan MT	2014/02/17	projection		MM	size	A4	scale	1:1	
eng	Ruan MT	2014/02/27	chr			-	ecn no	-		
appr	Pei-Ming Zheng	2014/02/27	product family	PwrBlade		rel level	Released			
			title	2P + 8S + 2P RIGHT ANGLE SOLDER HEADER		dwg no	51730-221		rev	A
www.fci.com			cat. no.	-			Product - Customer Drw		sheet 4 of 4	

Prod File - REV C - 2009-06-09



Copyright FCI.