

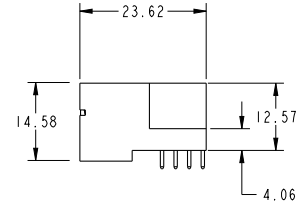
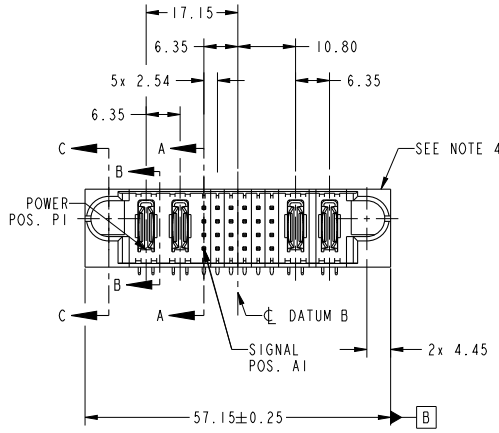
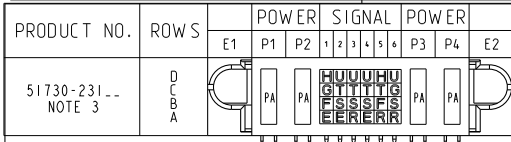
## Excellent Integrated System Limited

Stocking Distributor

Click to view price, real time Inventory, Delivery & Lifecycle Information:

[FCI](#)  
[51730-231LF](#)

For any questions, you can email us directly:  
[sales@integrated-circuit.com](mailto:sales@integrated-circuit.com)



CODE	DIM "M" MATING LENGTH	CONTACT TYPE
H	[5.59]	SIGNAL
G	[5.59]	SIGNAL
F	[5.59]	SIGNAL
E	[5.59]	SIGNAL
U	[6.86]	SIGNAL
T	[6.86]	SIGNAL
S	[6.86]	SIGNAL
R	[6.86]	SIGNAL
PA	[N/A]	POWER

spec ref	*	dr	De-Ming Lu	2014/08/04	projection	MM	size	A4	scale	1:1
tolerance std	ASME Y14.5	eng	De-Ming Lu	2014/08/07		product family	PwrBlade	ecn no	rel level	Released
TOLERANCES UNLESS OTHERWISE SPECIFIED		chr	-	app						
surface	ASME Y14.5	linear	0.X	±0.5		2P + 24S + 2P	RIGHT ANGLE SOLDER HEADER	www.fci.com	cat. no.	-
			0.XX	±0.25						
			0.XXX	±0.1						
		angular	0°	±2°						
Product - Customer Drw						Product - Customer Drw	sheet 1 of 4	rev	A	



Copyright FCI.

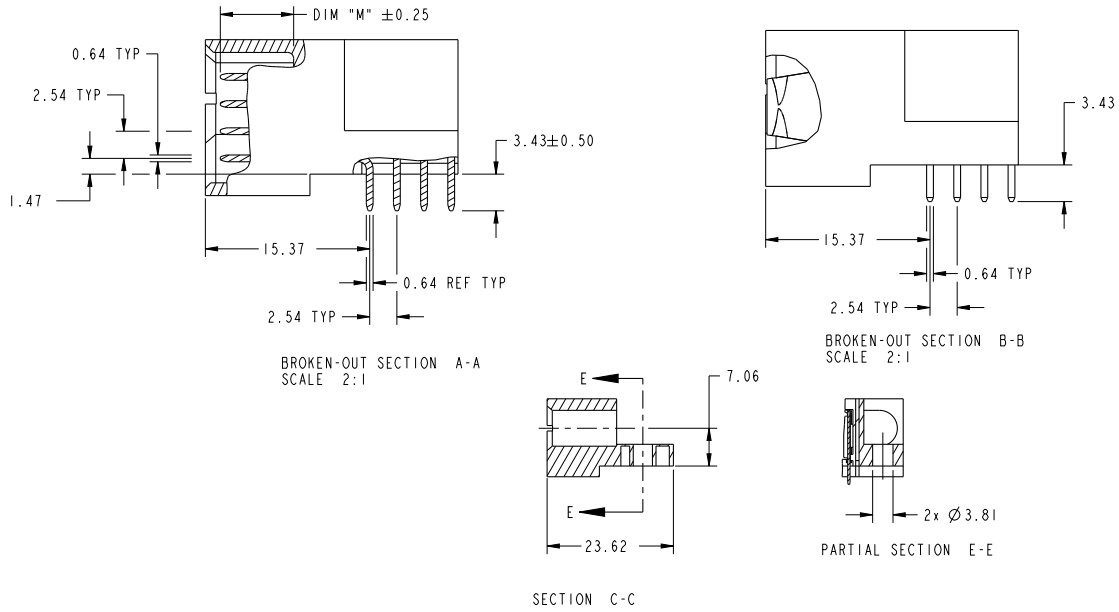
Print File - REV C - 2009-08-09

PDS: Rev :A

STATUS:Released

Printed: Aug 07, 2014

PRODUCT NUMBER  
51730-231...  
NOTE: 3



dr	De-Ming Lu	2014/08/04	projection	MM	size	A4	scale	1:1	
eng	De-Ming Lu	2014/08/07			ecn no	-	rel level	Released	
chr	-	-			product family	PwrBlade			
appr	Pei-Ming Zheng	2014/08/07			title	2P + 24S + 2P RIGHT ANGLE SOLDER HEADER		rev	A
www.fci.com			cat. no.	-	Product - Customer Drw	dwg no	51730-231	sheet 2 of 4	

Print File - REV C - 2009-08-09

1

2

3

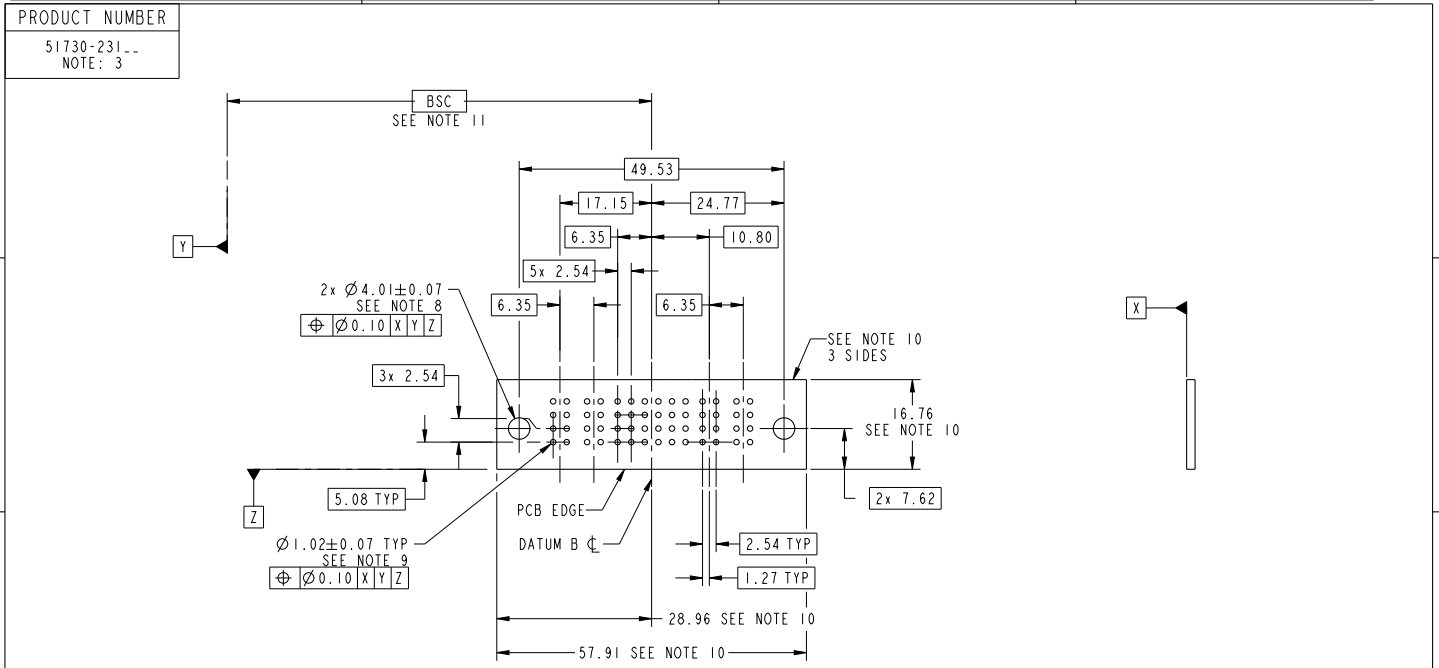
PDS: Rev :A

STATUS:Released

Printed: Aug 07, 2014



Copyright FCI.



RECOMMENDED PCB LAYOUT

dr	De-Ming Lu	2014/08/04	projection	MM	size	A4	scale	1:1
eng	De-Ming Lu	2014/08/07			ecn no	-		
chr	-	-	product family	PwrBlade	rel level	Released		
appr	Pei-Ming Zheng	2014/08/07			2P + 24S + 2P	dwg no	51730-231	rev
www.fci.com		cat. no.	-		Product - Customer Drw		sheet 3 of 4	

Print File - REV C - 2009-06-09



Copyright FCI.

**PRODUCT NUMBER**

51730-231LF  
NOTE: 3

**NOTES:**

1. DIMENSIONS AND TOLERANCES ARE IN ACCORDANCE WITH ASME Y14.5M, 1994 UNLESS OTHERWISE SPECIFIED.

**CONNECTOR NOTES:**

- 2. HOUSING MATERIAL: UL 94 V-0 GLASS FILLED HIGH-TEMP THERMOPLASTIC  
POWER CONTACT MATERIAL: COPPER ALLOY  
SIGNAL PIN MATERIAL: COPPER ALLOY
  - 3. SEE ITEM 1 & 2 IN PRINT 10064183 FOR PLATING SPEC OF 51730-231 AND 51730-231LF RESPECTIVELY.
  - 4. MANUFACTURER'S NAME, DATE CODE AND OPTIONAL P/N TO APPEAR ON THIS SURFACE. THE MARK CAN BE OMITTED IF THERE IS NOT ENOUGH SPACE ON THIS SURFACE.
  - 5. PRODUCT SPECIFICATION GS-12-149.  
APPLICATION SPECIFICATION BUS-20-067.
  - 6. PACKAGED IN TRAYS.
- PCB NOTES:**
- 7. ALL HOLE DIAMETERS ARE FINISHED HOLE SIZE.
  - 8. MOUNTING HOLES, WHERE APPLICABLE, ARE UNPLATED.
  - 9.  $\varnothing 1.151 \pm 0.025$  DRILLED HOLES PLATED WITH 0.008 MIN SnPb OR Sn OVER 0.03 TO 0.08 Cu PLATING TO ACHIEVE  $\varnothing 1.02 \pm 0.07$  HOLE.
  - 10. CONNECTOR KEEP-OUT ZONE.
  - 11. DATUM AND BASIC DIMENSIONS ARE ESTABLISHED BY CUSTOMER.

dr	De-Ming Lu	2014/08/04	projection		MM	size	A4	scale	1:1	
eng	De-Ming Lu	2014/08/07	chr			-	ecn no	-		
appr	Pei-Ming Zheng	2014/08/07	product family	PwrBlade		rel level	<b>Released</b>			
			title	2P + 24S + 2P		dwg no	51730-231		rev	A
www.fci.com			cat. no.	-		Product - Customer Drw		sheet 4 of 4		

Print File - REV C - 2009-06-09



Copyright FCI.