

## **Excellent Integrated System Limited**

Stocking Distributor

Click to view price, real time Inventory, Delivery & Lifecycle Information:

[FCI](#)

[51737-002LF](#)

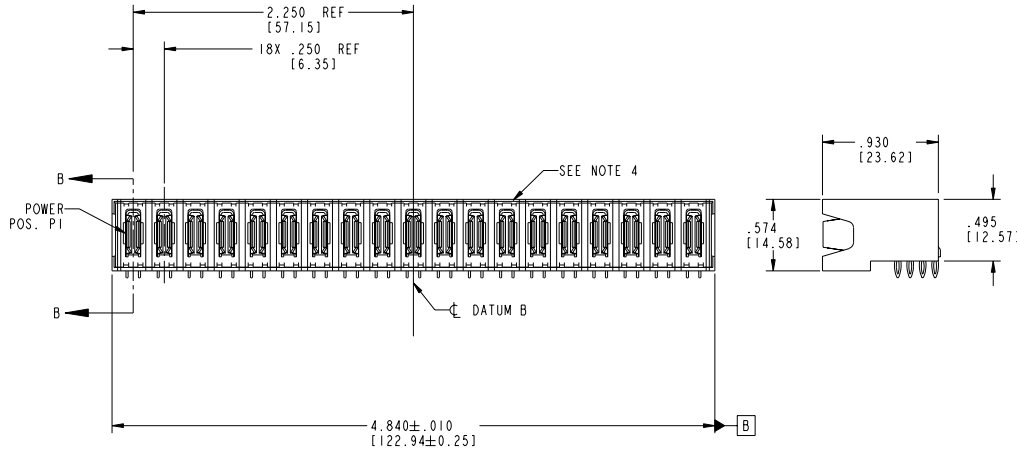
For any questions, you can email us directly:

[sales@integrated-circuit.com](mailto:sales@integrated-circuit.com)

Tous droits strictement réservés. Reproduction ou communication de ces lignes infidèle sous quelque forme que ce soit sans autorisation écrite du propriétaire. Propriété de c FCI. Droits de reproduction FCI.

All rights strictly reserved. Reproduction or issue in third parties in any form whatever is not permitted without written authority from the proprietor. Property of FCI. Copyright FCI.

PRODUCT NO. 51737-002-- NOTE 3	POWER																		
	P1	P2	P3	P4	P5	P6	P7	P8	P9	P10	P11	P12	P13	P14	P15	P16	P17	P18	P19
	PX	PX	PX	PX	PX	PX	PX	PX	PX	PX	PX	PX	PX	PX	PX	PX	PX	PX	PX



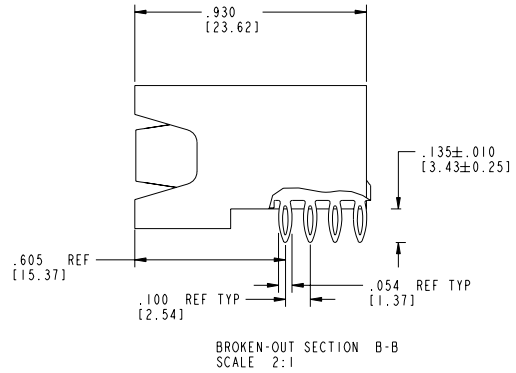
CODE	DIM "M" MATING LENGTH	CONTACT TYPE
PX	.092 [2.34]	POWER

mat'l code		SEE NOTE 2	tolerances unless otherwise specified		CUSTOMER	 www.fciconnect.com
ltr	ecm no.	dr	date	linear	COPY	
A	DG05-0520	CS	12/12/05	$.XX \pm .01/0$ $.XX \pm 0.13$ $.XXX \pm .0020/0$ $.XXX \pm 0.051$	projection	title 19P RIGHT ANGLE PRESS FIT HEADER
				angles		product family PwrBlade
				dr	CS	12/12/05
				enr	STEVEN WANG	12/12/05
				chr	VICTOR LIN	12/12/05
				oppd	JOSEPH HSIA	12/12/05
sheet index	revision sheet	A	A	A	INCH/MM	size A 51737-002
		1	2	3	scale	code 22526
				4	1:1	code 213 sheet 1 of 4

Tous droits strictement réservés. Reproduction ou communication à des fins interdites sans autorisation écrite du propriétaire. Propriété de FCI. Droits de reproduction FCI.

All rights strictly reserved. Reproduction or issue to third parties in any form without written authority from the proprietor. Property of FCI. Copyright FCI.

PRODUCT NUMBER  
51737-002...  
NOTE(3)



mat'l code		SEE NOTE 2		tolerances unless otherwise specified		CUSTOMER		<b>FCI</b> www.fciconnect.com	
ltr	ecm no.	dr	date	linear	XX±.01/0.XX+0.3	COPY		title	
A				linear	XX±.005/0.XX+0.13	projection		19P	
				angles	XXX±.0020/0.XX+0.051	INCH/MM		RIGHT ANGLE PRESS FIT HEADER	
				dr	0° ± 7°	product family		PwrBlade	
				engr	STEVEN WANG 12/12/05	size		code	
				chr	VICTOR LIN 12/12/05	A		213	
				appd	JOSEPH HSTA 12/12/05	scale		sheet	
						1:1		2 of 4	
sheet index	revision sheet								

Pro/E

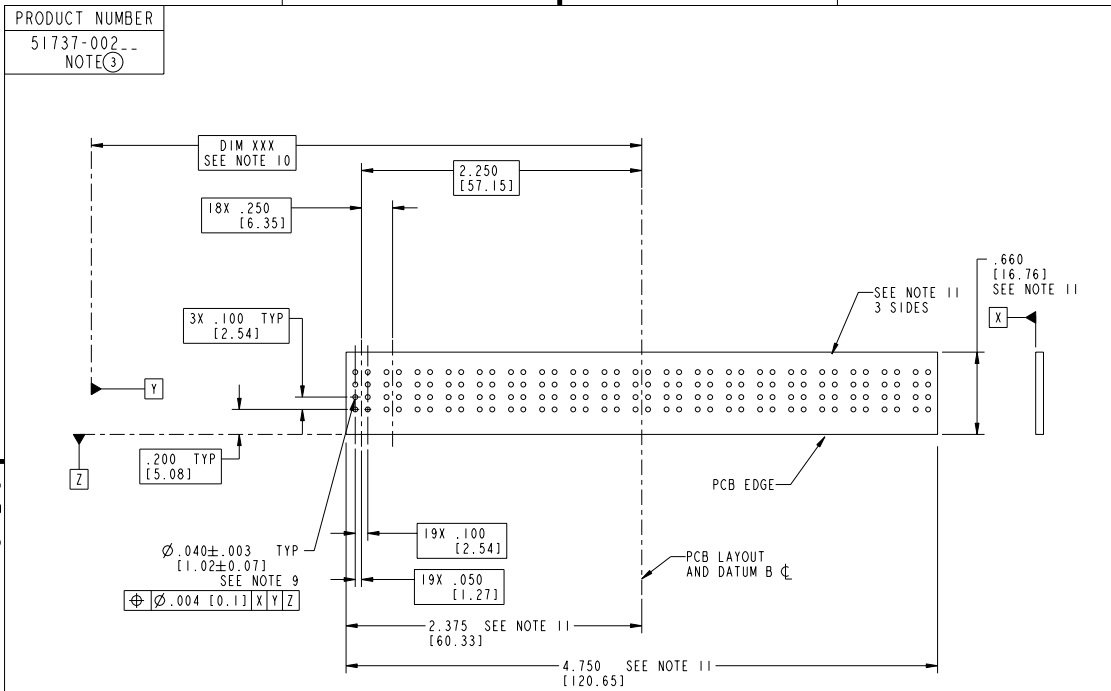
**PDM: Rev:A**

STATUS: **Released**

Printed: Dec 20, 2010

Tous droits strictement réservés. Reproduction ou communication, en des lieux interdite sans aucune forme, que ce soit sans autorisation écrite du propriétaire. Propriété de c FCI. Droits de reproduction FCI.

All rights strictly reserved. Reproduction or issue in third parties in any form wherever is not permitted without written authority from the proprietor. Property of FCI. Copyright FCI.



RECOMMENDED PCB LAYOUT

mat'l code		SEE NOTE 2		tolerances unless otherwise specified		CUSTOMER		FCI	
ltr	ecm no.	dr	date	linear	XX±.01/0.XX+0.3	COPY		www.fciconnect.com	
A				angles	XXX±.005/0.XX+0.13	projection	title 19P		
				dr	XXX±.0020/0.XX+0.051	INCH/MM		RIGHT ANGLE PRESS FIT HEADER	
				engr	CS 12/12/05	product	family	PwrBlade	code 213
				chr	STEVEN WANG 12/12/05	size	dwg no		sheet
				appd	VICTOR LIN 12/12/05	scale	A 51737-002		3 of 4
					JOSEPH HSTA 12/12/05				
sheet index	revision sheet								

Pro/E

**PDM: Rev:A**

**STATUS: Released**

Printed: Dec 20, 2010

Tous droits strictement réservés. Reproduction ou communication de ces lignes initiales sans aucune forme que ce soit sans autorisation écrite du propriétaire. Propriété de c FCI. Droits de reproduction FCI.

All rights strictly reserved. Reproduction or issue in any form without written authority from the proprietor. Property of FCI. Copyright FCI.

PRODUCT NUMBER  
51737-002--  
NOTE(3)

NOTES:

1. DIMENSIONS AND TOLERANCES ARE IN ACCORDANCE WITH ASME Y14.5M, 1994 UNLESS OTHERWISE SPECIFIED.

CONNECTOR NOTES:

(2) HOUSING MATERIAL: UL 94 V-0 GLASS FILLED HIGH-TEMP THERMOPLASTIC  
POWER CONTACT MATERIAL: COPPER ALLOY  
SIGNAL PIN MATERIAL: COPPER ALLOY

3. PLATING:  
51737-002 Singal Pin:30u"/0.76um Au OVER 50u"/1.27um Ni ON THE WHOLE AREA.  
Power Pin:30u"/0.76um Au OVER 50u"/1.27um Ni ON THE CONTACT AREA,  
AND 50u"/1.27um-100u"/2.54um SnPb PLATING OVER 50u"/1.27um Ni ON THE TERMINATION SECTION.

51737-002LF Singal Pin:30u"/0.76um Au OVER 50u"/1.27um Ni ON THE WHOLE AREA.  
Power Pin:30u"/0.76um Au OVER 50u"/1.27um Ni ON THE CONTACT AREA,  
AND 50u"/1.27um-100u"/2.54um Sn PLATING OVER 50u"/1.27um Ni ON THE TERMINATION SECTION.

PART NUMBER 51737-002LF MEETS EUROPEAN UNION DIRECTIVE AND OTHER COUNTRY REGULATIONS AS DESCRIBED IN GS-22-008.

THE HOUSING WILL WITHSTAND EXPOSURE TO 260° PEAK TEMPERATURE FOR 10 SECONDS IN A WAVE SOLDER APPLICATION WITH A CIRCUIT BOARD.

(4) MANUFACTURER'S NAME, P/N, AND DATE CODE TO APPEAR ON THIS SURFACE.

5. PRODUCT SPECIFICATION GS-12-149.  
APPLICATION SPECIFICATION BUS-20-067.

6. PACKAGED IN TRAYS.

PCB NOTES:

7. ALL HOLE DIAMETERS ARE FINISHED HOLE SIZE.

(8) MOUNTING HOLES, WHERE APPLICABLE, ARE UNPLATED.

(9)  $\varnothing .0453 \pm .0010$  [ $1.151 \pm 0.025$ ] DRILLED HOLES PLATED WITH  
.0003 [ $0.008$ ] MIN SnPb OVER .001 [ $0.03$ ]  
TO .003 [ $0.08$ ] Cu PLATING TO ACHIEVE  
 $\varnothing .040 \pm .003$  [ $1.02 \pm .07$ ] HOLE.

(10) "DIM XXX" TO BE DETERMINED BY THE CUSTOMER.

(11) CONNECTOR KEEP-OUT ZONE.

mat'l code		SEE NOTE 2	tolerances unless otherwise specified	CUSTOMER	
ltr	ecm no.	dr	date	projection	title
A				19P	RIGHT ANGLE PRESS FIT HEADER
				INCH/MM	product family PwrBlade
				scale 1:1	size dwg no 51737-002
sheet index	revision sheet				code 213 sheet 4 of 4

Pro/E

PDM: Rev:A

STATUS:Released

Printed: Dec 20, 2010