

Excellent Integrated System Limited

Stocking Distributor

Click to view price, real time Inventory, Delivery & Lifecycle Information:

[FCI](#)

[51750-102LF](#)

For any questions, you can email us directly:

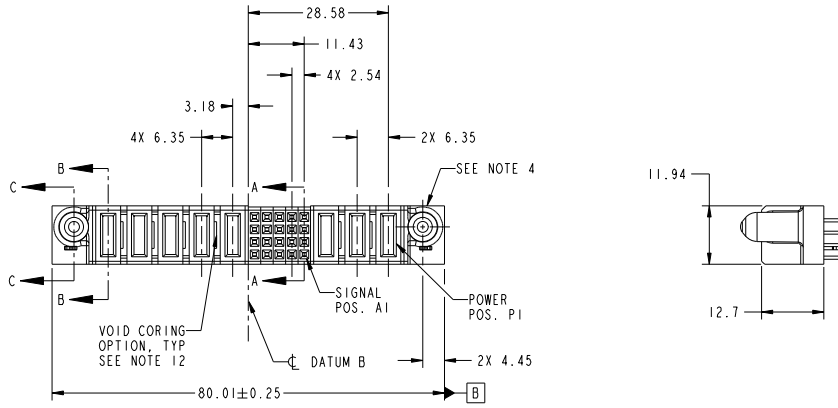
sales@integrated-circuit.com

Tous droits strictement réservés. Reproduction ou communication à des tiers interdite sous quelque forme que ce soit sans autorisation écrite du propriétaire. Propriété de C.FCI. Droits de reproduction FCI.

All rights strictly reserved. Reproduction or issue to third parties in any form whatever is not permitted without written authority from the proprietor. Property of FCI. Copyright FCI.



PRODUCT NO.	ROWS	Pwr					SIG					POWER				
		E2	P8	P7	P6	P5	P4	S4	S3	S2	S1	P3	P2	P1	E1	
51750-102.. NOTE: 3	VOID A/B/C	HA	PA	PD	PD	PD	PA	E1	E2	E3	E4	PA	PD	PA	HA	



CODE	DIM "M" MATING LENGTH	CONTACT TYPE
E	[N/A]	SIGNAL
PD	[2.34]	POWER
PA	[1.07]	POWER
HA	[N/A]	HOLD-DOWN

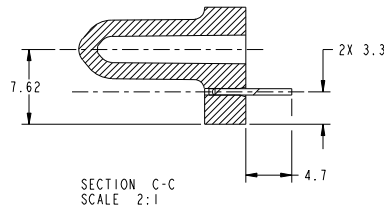
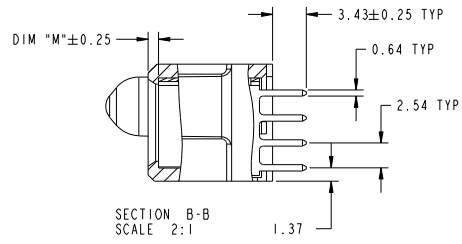
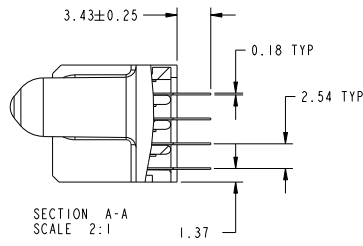
SEE NOTES				tolerances unless otherwise specified		CUSTOMER	
ltr	ecm no.	dr	date	0.X ±0.5	projection	www.fciconnect.com	
A	DG10-0129	AL	04/06/10	0.XX ±0.25	MM	3P + 20S + 5P	
				0.XXX ±0.1	scale	VERTICAL SOLDER RECEPT	
				0° ±2°	1:1	product family PwrBlade code	
				ANSON LIU 04/06/10		size dwg no 51750-102 sheet 213	
				JEROME CHEN 04/06/10		1 of 4	
				PM ZHENG 04/06/10		cage code 22526	
				JOSEPH HSIA 04/06/10			
sheet index	revision sheet	A 1	A 2	A 3	A 4		

Tous droits strictement réservés. Reproduction ou communication à des tiers interdite sous quelque forme que ce soit sans autorisation écrite du propriétaire. Propriété de FCI. Droits de reproduction FCI.

All rights strictly reserved. Reproduction or issue to third parties in any form whatever is not permitted without written authority from the proprietor. Property of FCI. Copyright FCI.



PRODUCT NUMBER
51750-102..
NOTE: 3



mat'l code				tolerances unless otherwise specified		CUSTOMER		FCI	
ltr	ecm no.	dr	date	linear	0.X ±0.5	COPY	www.fciconnect.com		
A					0.XX ±0.25	projection	title		
				angles	0.XXX ±0.1		3P + 20S + 5P		
				dr	0° ±2°	MM	VERTICAL SOLDER RECEPT		
				enr	ANSON LIU 04/06/10	scale	product family	PwrBlade	code
				chr	JEROME CHEN 04/06/10	1:1	size	dwg no	213
				oppd	PM ZHENG 04/06/10		A	51750-102	sheet
sheet index	revision sheet				JOSEPH HSIA 04/06/10				2 of 4

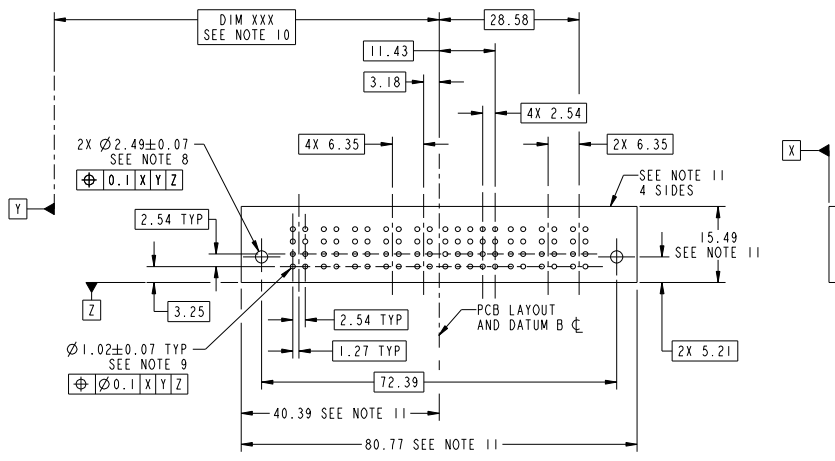
Pro/E

cage code 22526

Tous droits strictement réservés. Reproduction ou communication à des tiers interdite sous quelque forme que ce soit sans autorisation écrite du propriétaire. Propriété de FCI. Droits de reproduction FCI.

All rights strictly reserved. Reproduction or issue to third parties in any form whatever is not permitted without written authority from the proprietor. Property of FCI. Copyright FCI.

PRODUCT NUMBER
51750-102..
NOTE: 3



mat'l code				tolerances unless otherwise specified		CUSTOMER	
ltr	ecm no.	dr	date	0.X ±0.5	COPY	www.fciconnect.com	
A				0.XX ±0.25	projection	3P + 20S + 5P	
				0.XXX ±0.1		VERTICAL SOLDER RECEPT	
				angles 0° ±2°	MM	product family	PwrBlade
		dr	ANSON LIU	04/06/10	size	dwg no	code
		engr	JEROME CHEN	04/06/10	scale	51750-102	213
		chr	PM ZHENG	04/06/10	1:1		sheet
		oppd	JOSEPH HSIA	04/06/10			3 of 4
sheet index	revision sheet						

cage code 22526

Tous droits strictement réservés. Reproduction ou communication à des tiers interdite sous quelque forme que ce soit sans autorisation écrite du propriétaire. Propriété de FCI. Droits de reproduction FCI.

All rights strictly reserved. Reproduction or issue to third parties in any form whatever is not permitted without written authority from the proprietor. Property of FCI. Copyright FCI.

PRODUCT NUMBER
51750-102-
NOTE: 3

NOTES:

1. DIMENSIONS AND TOLERANCES ARE IN ACCORDANCE WITH ASME Y14.5M, 1994 UNLESS OTHERWISE SPECIFIED.
- CONNECTOR NOTES:
- ② HOUSING MATERIAL: UL 94 V-0 GLASS FILLED HIGH-TEMP THERMOPLASTIC
POWER CONTACT MATERIAL: COPPER ALLOY
SIGNAL PIN MATERIAL: COPPER ALLOY
3. PLATING SPEC.
SEE ITEM 5 & 6 IN PRINT 10064183 FOR PLATING SPEC. OF 51750-102, 51750-102LF RESPECTIVELY.
- ④ MANUFACTURER'S NAME, DATE CODE AND OPTIONAL P/N TO APPEAR ON THIS SURFACE. THE P/N CAN BE OMITTED IF THERE IS NOT ENOUGH SPACE ON THIS SURFACE.
5. PRODUCT SPECIFICATION GS-12-149.
APPLICATION SPECIFICATION BUS-20-067.
6. PACKAGED IN TRAYS.
- PCB NOTES:
7. ALL HOLE DIAMETERS ARE FINISHED HOLE SIZE.
- ⑧ MOUNTING HOLES, WHERE APPLICABLE, ARE UNPLATED.
- ⑨ $\varnothing 1.151 \pm 0.025$ DRILLED HOLES PLATED WITH 0.008 MIN SnPb OR Sn OVER 0.03 TO 0.08 Cu PLATING TO ACHIEVE $\varnothing 1.02 \pm 0.07$ HOLE.
- ⑩ "DIM XXX" TO BE DETERMINED BY THE CUSTOMER.
- ⑪ CONNECTOR KEEP-OUT ZONE.
12. THE VOID CORING IN BETWEEN POWER MODULES, SIGNAL MODULES AND END MODULES ARE OPTIONAL AND THE SHAPE MAY BE DIFFERENT FOR OPTIMIZE THE MOLDING PROCESS. THE VOID CORING WILL NOT EFFECT TO PRODUCT FUNCTION.

mat'l code				tolerances unless otherwise specified		CUSTOMER		FCI	
ltr	ecn no.	dr	date	linear	0.X ± 0.5	COPY	www.fciconnect.com		
A					0.XX ± 0.25	projection	title		
				angles	0.XXX ± 0.1		3P + 20S + 5P		
				dr	0° ± 2°	MM	VERTICAL SOLDER RECEPT		
				eng	ANSON LIU 04/06/10	product family	PwrBlade		
				chr	JEROME CHEN 04/06/10	size	code		
				opd	PW ZHENG 04/06/10	scale	213		
					JOSEPH HSIA 04/06/10	1:1	sheet		
sheet index	revision sheet						4 of 4		

Pro/E

cage code 22526