

Excellent Integrated System Limited

Stocking Distributor

Click to view price, real time Inventory, Delivery & Lifecycle Information:

[FCI](#)

[51750-111LF](#)

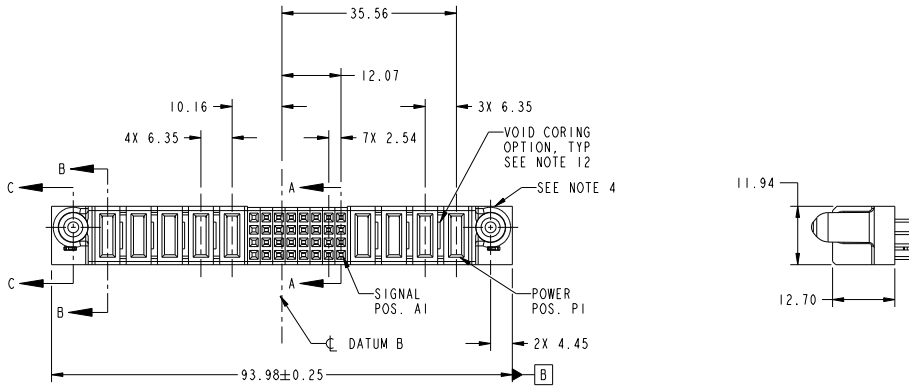
For any questions, you can email us directly:

sales@integrated-circuit.com

Tous droits strictement réservés. Reproduction ou communication à des tiers interdite sous quelque forme que ce soit sans autorisation écrite du propriétaire. Propriété de C.FCI. Droits de reproduction FCI.

All rights strictly reserved. Reproduction or issue to third parties in any form whatever is not permitted without written authority from the proprietor. Property of FCI. Copyright FCI.

PRODUCT NO. 51750-111... NOTE: 3	ROWS D C A	POWER					SIGNAL					POWER					E1		
		E2	P9	P8	P7	P6	P5	4	3	2	1	P4	P3	P2	P1				
		PA	PA	PA	PA	PD	X	X	X	X	X	X	X	X	X	X	X	X	X



CODE	DIM "M" MATING LENGTH	CONTACT TYPE
E	[N/A]	SIGNAL
PA	[1.07]	POWER
HA	[N/A]	HOLD-DOWN
PD	[2.34]	POWER
X	OMITTED	

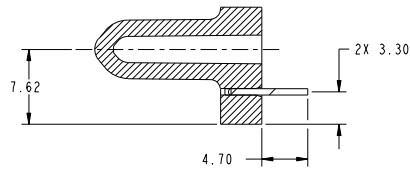
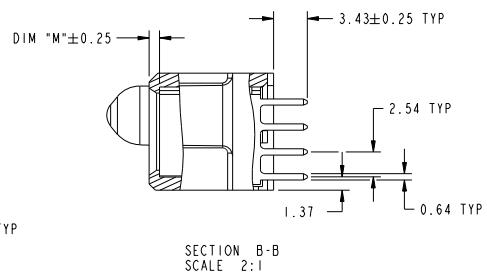
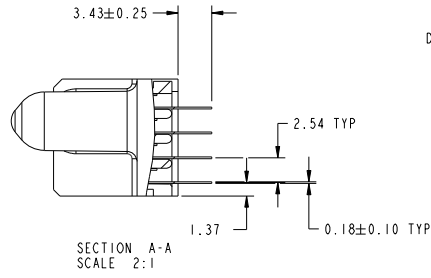
mat'l code		SEE NOTES		tolerances unless otherwise specified		CUSTOMER		FCI		www.fciconnect.com	
ltr	ecn no.	dr	date	0.X ± 0.5		COPY		projection		title	
A	DG11-0011	X0	01/10/11	0.XX ± 0.25		MM		MM		4P + 32S + 5P	
				0.XXX ± 0.1		scale		1:1		VERTICAL SOLDER RECEPT	
				0° ± 2°						product family PwrBlade	
				X0 Wang 01/10/11						size	
				Anson Liu 01/10/11						dwg no	
				PM Zheeng 01/10/11						51750-111	
				Joseph Hsiao 01/10/11						code	
sheet index	revision sheet	A	A	A	A					213 sheet 1 of 4	
1	2	3	4							cage code 22526	

Tous droits strictement réservés. Reproduction ou communication à des tiers interdite sous quelque forme que ce soit sans autorisation écrite du propriétaire. Propriété de FCI. Droits de reproduction FCI.

All rights strictly reserved. Reproduction or issue to third parties in any form whatever is not permitted without written authority from the proprietor. Property of FCI. Copyright FCI.



PRODUCT NUMBER
51750-111LF
NOTE: 3



mat'l code				tolerances unless otherwise specified		CUSTOMER	
lfr	ecm no.	dr	date	linear	0.X ±0.5	COPY	www.fciconnect.com
A					0.XX ±0.25	projection	title
					0.XXX ±0.1		4P + 32S + 5P
				angles	0° ±2°		VERTICAL SOLDER RECEPT
		dr	XQ Wang	01/10/11		product family	PwrBlade
		engr	Anson Liu	01/10/11		size	code
		chr	PM Zheeng	01/10/11		dwg no	213
		oppd	Joseph Hsiao	01/10/11	scale	51750-111	sheet
sheet index	revision sheet				1:1	A	2 of 4

Pro/E

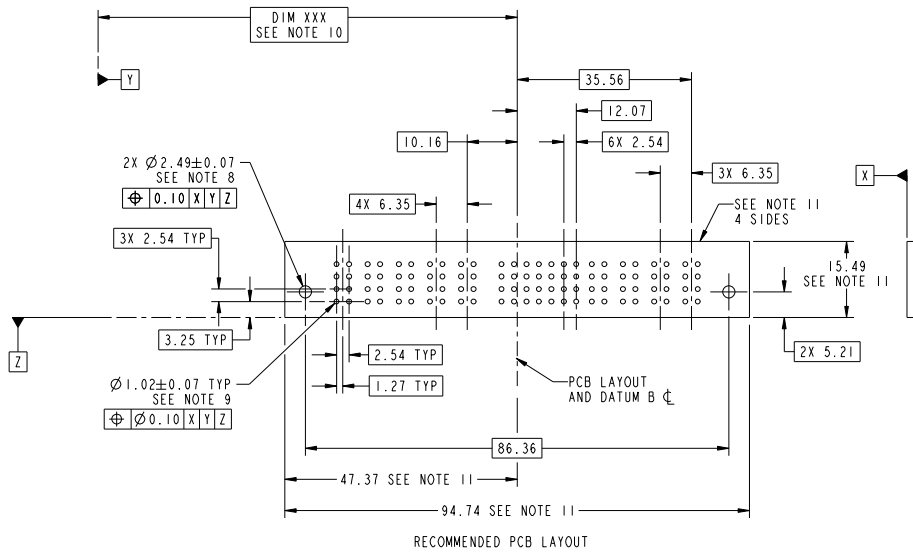
cage code 22526

Tous droits strictement réservés. Reproduction ou communication à des tiers interdite sous quelque forme que ce soit sans autorisation écrite du propriétaire. Propriété de FCI. Droits de reproduction FCI.

All rights strictly reserved. Reproduction or issue to third parties in any form whatever is not permitted without written authority from the proprietor. Property of FCI. Copyright FCI.



PRODUCT NUMBER
51750-111LF
NOTE: 3



mat'l code				tolerances unless otherwise specified		CUSTOMER	
lfr	ecm no.	dr	date	0.X ±0.5	COPY	www.fciconnect.com	
A				0.XX ±0.25	projection	title	
				0.XXX ±0.1		4P + 32S + 5P	
				angles 0° ±2°		VERTICAL SOLDER RECEPT	
		dr	XQ Wang 01/10/11		scale	product family	PwrBlade
		enr	Anson Liu 01/10/11		1:1	size	code
		chr	PM Zheeng 01/10/11			dwg no	213
		oppd	Joseph Hsiao 01/10/11			51750-111	sheet
sheet index	revision sheet						3 of 4
						cage code	22526

Tous droits strictement réservés. Reproduction ou communication à des tiers interdite sous quelque forme que ce soit sans autorisation écrite du propriétaire. Propriété de FCI. Droits de reproduction FCI.

All rights strictly reserved. Reproduction or issue to third parties in any form whatever is not permitted without written authority from the proprietor. Property of FCI. Copyright FCI.

PRODUCT NUMBER
51750-111LF
NOTE: 3

NOTES:

1. DIMENSIONS AND TOLERANCES ARE IN ACCORDANCE WITH ASME Y14.5M, 1994 UNLESS OTHERWISE SPECIFIED.

CONNECTOR NOTES:

② HOUSING MATERIAL: UL 94 V-0 GLASS FILLED HIGH-TEMP THERMOPLASTIC

POWER CONTACT MATERIAL: COPPER ALLOY
SIGNAL PIN MATERIAL: COPPER ALLOY

3. SEE ITEM 5 & 6 IN PRINT 10064183 FOR PLATING SPEC OF 51750-111 AND 51750-111LF RESPECTIVELY.

④ MANUFACTURER'S NAME, DATE CODE AND OPTIONAL P/N TO APPEAR ON THIS SURFACE. THE P/N CAN BE OMITTED IF THERE IS NOT ENOUGH SPACE ON THIS SURFACE.

5. PRODUCT SPECIFICATION GS-12-149.
APPLICATION SPECIFICATION BUS-20-067.

6. PACKAGED IN TRAYS.

PCB NOTES:

7. ALL HOLE DIAMETERS ARE FINISHED HOLE SIZE.

⑧ MOUNTING HOLES, WHERE APPLICABLE, ARE UNPLATED.

⑨ $\varnothing 1.151 \pm 0.025$ DRILLED HOLES PLATED WITH 0.008 MIN SnPb OR Sn OVER 0.03 TO 0.08 Cu PLATING TO ACHIEVE $\varnothing 1.02 \pm 0.07$ HOLE.

⑩ "DIM XXX" TO BE DETERMINED BY THE CUSTOMER.

⑪ CONNECTOR KEEP-OUT ZONE.

12. THE VOID CORING IN BETWEEN POWER MODULES, SIGNAL MODULES AND END MODULES ARE OPTIONAL AND THE SHAPE MAY BE DIFFERENT FOR OPTIMIZE THE MOLDING PROCESS. THE VOID CORING WILL NOT EFFECT TO PRODUCT FUNCTION.

mat'l code				tolerances unless otherwise specified		CUSTOMER		FCI	
ltr	ecm no.	dr	date	linear	0.X ± 0.5	COPY	www.fciconnect.com		
A					0.XX ± 0.25	projection	title		
				angles	0.XXX ± 0.1		4P + 32S + 5P		
				dr	0° ± 2°	MM	VERTICAL SOLDER RECEPT		
				engr	XQ Wang 01/10/11	scale	product family	PwrBlade	code
				chr	Anson Liu 01/10/11	1:1	size	dwg no	213
				oppd	PM Zheeng 01/10/11		A	51750-111	sheet
sheet index	revision sheet				Joseph Hsiao 01/10/11				4 of 4

Pro/E

cage code 22526