

Excellent Integrated System Limited

Stocking Distributor

Click to view price, real time Inventory, Delivery & Lifecycle Information:

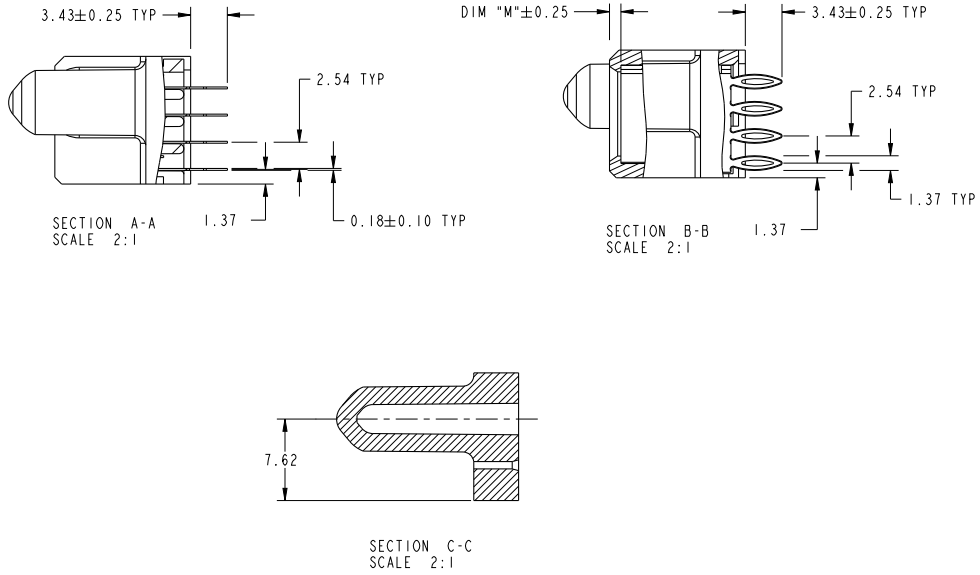
[FCI](#)

[51750-135LF](#)

For any questions, you can email us directly:

sales@integrated-circuit.com

PRODUCT NUMBER
51750-135...
NOTE: 3



dr	Luo Weller	2013/09/22	projection	MM	size	A4	scale	1:1	
eng	De-Ming Lu	2014/03/03			ecn no	ELX-DG-17083-1			
chr	-	-	product family	PwrBlade	rel level	Released			
appr	Pei-Ming Zheng	2014/03/03			dwg no	51750-135		rev	B
www.fci.com		cat. no.	* Product - Customer Drw		sheet 2 of 4				

Print File : REC - 2009-06-09

PDS: Rev :B

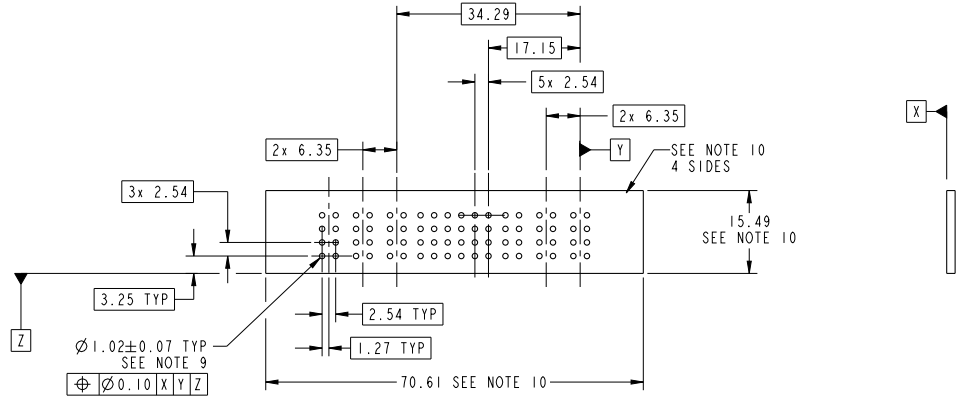
STATUS:Released

Printed: Mar 04, 2014



Copyright FCI.

PRODUCT NUMBER
51750-135_.. NOTE: 3



RECOMMENDED PCB LAYOUT

dr	Luo Weller	2013/09/22	projection	MM	size	A4	scale	1:1	
eng	De-Ming Lu	2014/03/03			ecn no	ELX-DG-17083-1			
chr	-	-			product family	PwrBlade	rel level	Released	
appr	Pei-Ming Zheng	2014/03/03				title	3P+24S+3P		
www.fci.com						dwg no	51750-135		
cat. no.			*			Product - Customer Drw		rev	B
							sheet 3 of 4		

Prod File : REC - 2009-06-09

1

2

3

PDS: Rev :B

STATUS:Released

Printed: Mar 04, 2014



Copyright FCI.

PRODUCT NUMBER	
51750-135_	
NOTE: 3	
NOTES:	
1. DIMENSIONS AND TOLERANCES ARE IN ACCORDANCE WITH ASME Y14.5M, 1994 UNLESS OTHERWISE SPECIFIED.	
CONNECTOR NOTES:	
② HOUSING MATERIAL: UL 94 V-0 GLASS FILLED HIGH-TEMP THERMOPLASTIC POWER CONTACT MATERIAL: COPPER ALLOY SIGNAL PIN MATERIAL: COPPER ALLOY	
⚠ 3. SEE ITEM 7 & 8 IN PRINT 10064183 FOR PLATING SPEC OF 51750-135 AND 51750-135LF RESPECTIVELY.	
④ MANUFACTURER'S NAME, DATE CODE AND OPTIONAL P/N TO APPEAR ON THIS SURFACE. THE MARK CAN BE OMITTED IF THERE IS NOT ENOUGH SPACE ON THIS SURFACE.	
5. PRODUCT SPECIFICATION GS-12-149. APPLICATION SPECIFICATION BUS-20-067.	
6. PACKAGED IN TRAYS.	
PCB NOTES:	
7. ALL HOLE DIAMETERS ARE FINISHED HOLE SIZE.	
⑧ MOUNTING HOLES, WHERE APPLICABLE, ARE UNPLATED.	
⑨ $\varnothing 1.151 \pm 0.025$ DRILLED HOLES PLATED WITH 0.008 MIN SnPb OR Sn OVER 0.03 TO 0.08 Cu PLATING TO ACHIEVE $\varnothing 1.02 \pm 0.07$ HOLE.	
⑩ CONNECTOR KEEP-OUT ZONE.	
11. THE VOID CORING IN BETWEEN POWER MODULES, SIGNAL MODULES AND END MODULES ARE OPTIONAL AND THE SHAPE MAY BE DIFFERENT FOR OPTIMIZE THE MOLDING PROCESS. THE VOID CORING WILL NOT EFFECT TO PRODUCT FUNCTION.	
⚠ 12. A ⚠ SYMBOL WILL BE NEXT TO ANY DIMENSION, VIEW OR NOTE WHICH HAS BEEN MODIFIED WITH THE CURRENT DRAWING REVISION.	

dr	Luo Weller	2013/09/22	projection		size	A4	scale	1:1	
eng	De-Ming Lu	2014/03/03			MM				
chr	-	-				ec n no	ELX-DG-17083-1		
appr	Pei-Ming Zheng	2014/03/03	product family	PwrBlade		rel level	Released		
	3P+24S+3P		VERTICAL PRESS-FIT RECEPT		dwg no	51750-135		rev	
www.fci.com	cat. no.	*	Product - Customer Drw				sheet	4 of 4	



Copyright FCI.