

Excellent Integrated System Limited

Stocking Distributor

Click to view price, real time Inventory, Delivery & Lifecycle Information:

[FCI](#)

[51751-017LF](#)

For any questions, you can email us directly:

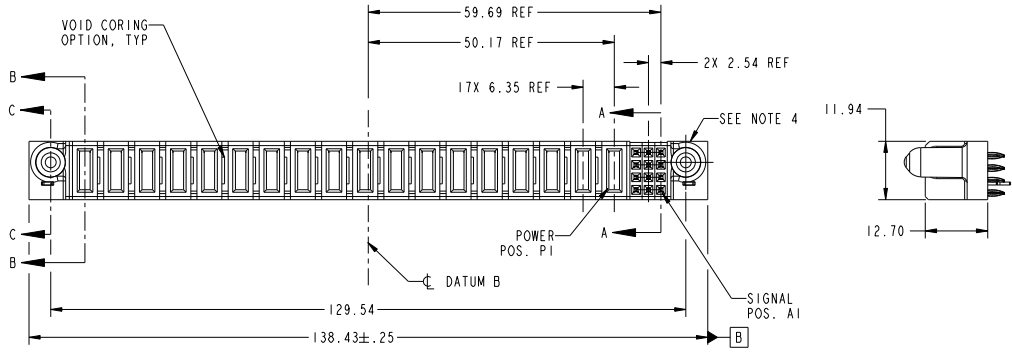
sales@integrated-circuit.com

Tous droits strictement réservés. Reproduction ou communication à des tiers interdite sous quelque forme que ce soit sans autorisation écrite du propriétaire. Propriété de FCI. Droits de reproduction FCI.

All rights strictly reserved. Reproduction or issue to third parties in any form whatever is not permitted without written authority from the proprietor. Property of FCI. Copyright FCI.



PRODUCT NO.	ROWS	POWER																		SIGNAL				
		E2	P18	P17	P16	P15	P14	P13	P12	P11	P10	P9	P8	P7	P6	P5	P4	P3	P2	P1	3	2	1	E1
51751-017... NOTE: 3	D C B A																							



CODE	DIM "M" MATING LENGTH	CONTACT TYPE
F	[N/A]	SIGNAL
HA	[N/A]	HOLD-DOWN
PC	[1.07]	POWER
PF	[2.34]	POWER

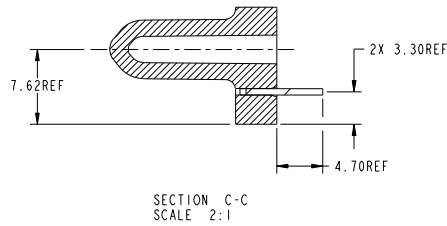
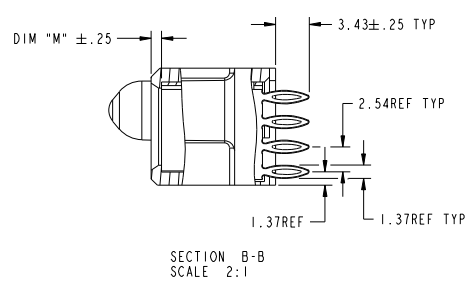
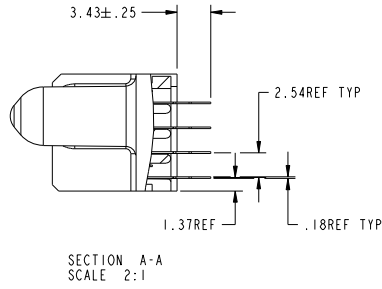
mat'l code				SEE NOTES		tolerances unless otherwise specified		CUSTOMER	
ltr	ecm no.	dr	date	linear	0.X ±0.3	projection	www.fciconnect.com		
A	D607-0221	JC	05/29/07	angles	0.XX ±0.13	MM	title 12S + 18P		
				dr	0.XXX ±0.051	scale	VERTICAL PRESSFIT RECEIPT		
				engr	0° ±2°	1:1	product family PwrBlade code 213		
				chr	Jerome Chen 05/29/07		size A 51751-017 sheet 1 of 4		
				oppd	Jerome Chen 05/29/07		cage code 22526		
					Gary Hsieh 05/29/07				
					Joseph Hsiao 05/29/07				
sheet index	revision sheet	A 1	A 2	A 3	A 4				

Tous droits strictement réservés. Reproduction ou communication à des tiers interdite sous quelque forme que ce soit sans autorisation écrite du propriétaire. Propriété de FCI. Droits de reproduction FCI.

All rights strictly reserved. Reproduction or issue to third parties in any form whatever is not permitted without written authority from the proprietor. Property of FCI. Copyright FCI.



PRODUCT NUMBER
51751-017..
NOTE: 3



mat'l code				tolerances unless otherwise specified		CUSTOMER	
ltr	ecm no.	dr	date	linear	0 .XX ± 0.3	COPY	www.fciconnect.com
A					0 .XX ± 0.13	projection	title
				angles	0 .XXX ± 0.051		12S + 18P
				dr	0° ± 2°	MM	VERTICAL PRESSFIT RECEPT
				enr	Jerome Chen 05/29/07	scale	product family PwrBlade code
				chr	Jerome Chen 05/29/07	1:1	size
				appd	Gary Hsieh 05/29/07		dwg no
					Joseph Hsiao 05/29/07		51751-017
sheet index	revision sheet						213 sheet
							2 of 4

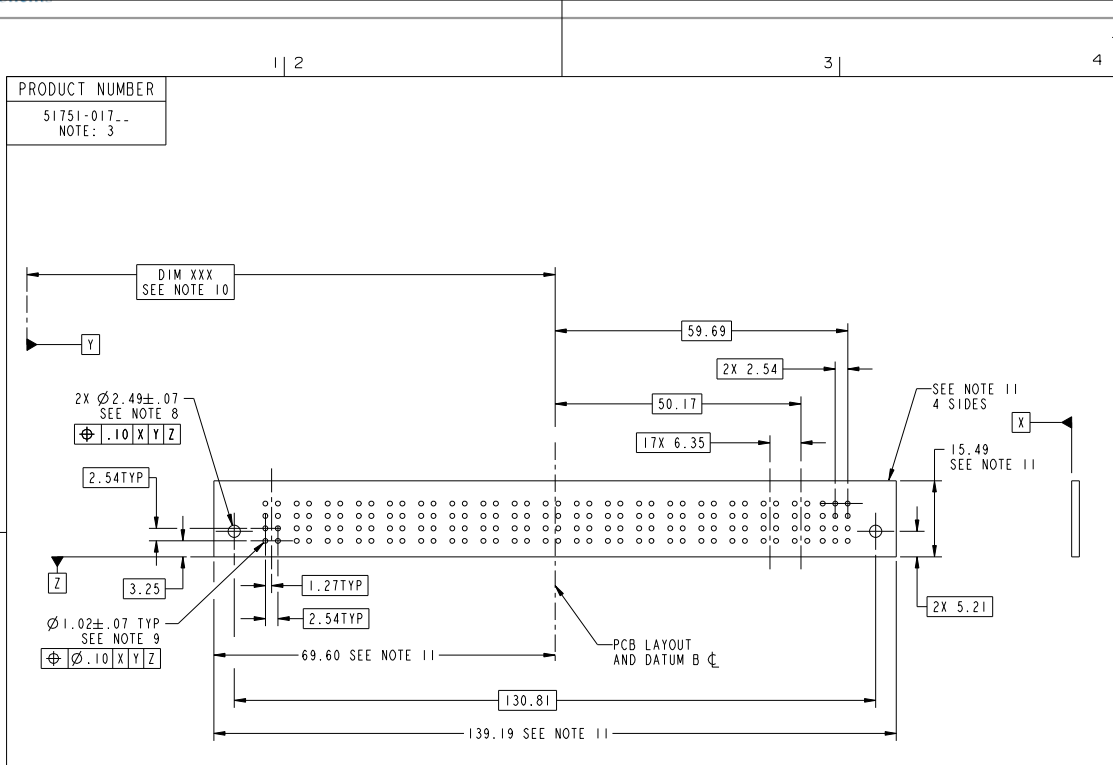
Pro/E

cage code 22526

Tous droits strictement réservés. Reproduction ou communication à des tiers interdite sous quelque forme que ce soit sans autorisation écrite du propriétaire. Propriété de FCI. Droits de reproduction FCI.



All rights strictly reserved. Reproduction or issue to third parties in any form whatever is not permitted without written authority from the proprietor. Property of FCI. Copyright FCI.



mat'l code				tolerances unless otherwise specified		CUSTOMER	
ltr	ecm no.	dr	date	linear	0 . X ± 0.3	COPY	www.fciconnect.com
A				linear	0 . XX ± 0.13	projection	title
				angles	0 . XXX ± 0.051		12S + 18P
				dr	0° ± 2°	MM	VERTICAL PRESSFIT RECEPT
				engr	Jerome Chen 05/29/07	scale	product family PwrBlade code
				chr	Jerome Chen 05/29/07	1:1	size
				opd	Gary Hsieh 05/29/07		dwg no
					Joseph Hsiao 05/29/07		51751-017
sheet index	revision sheet						213 sheet 3 of 4

cage code 22526

Tous droits strictement réservés. Reproduction ou communication à des tiers interdite sous quelque forme que ce soit sans autorisation écrite du propriétaire. Propriété de FCI. Droits de reproduction FCI.

All rights strictly reserved. Reproduction or issue to third parties in any form whatever is not permitted without written authority from the proprietor. Property of FCI. Copyright FCI.

PRODUCT NUMBER
51751-017-
NOTE: 3

NOTES:

1. DIMENSIONS AND TOLERANCES ARE IN ACCORDANCE WITH ASME Y14.5M, 1994 UNLESS OTHERWISE SPECIFIED.

CONNECTOR NOTES:

- ② HOUSING MATERIAL: UL 94 V-0 GLASS FILLED HIGH-TEMP THERMOPLASTIC
 POWER CONTACT MATERIAL: COPPER ALLOY
 SIGNAL PIN MATERIAL: COPPER ALLOY
- 3. PLATING SPEC.
 51751-017, 51751-017LF PLATING SPEC. WAS SHOWN IN THE PRINT OF 10064183.

④ MANUFACTURER'S NAME, P/N, AND DATE CODE TO APPEAR ON THIS SURFACE.

5. PRODUCT SPECIFICATION GS-12-149.
 APPLICATION SPECIFICATION BUS-20-067.

6. PACKAGED IN TRAYS.

PCB NOTES:

- 7. ALL HOLE DIAMETERS ARE FINISHED HOLE SIZE.
- ⑧ MOUNTING HOLES, WHERE APPLICABLE, ARE UNPLATED.
- ⑨ $\varnothing 1.151 \pm 0.025$ DRILLED HOLES PLATED WITH 0.008 MIN SnPb OR Sn OVER 0.03 TO 0.08 Cu PLATING TO ACHIEVE $\varnothing 1.02 \pm .07$ HOLE.
- ⑩ "DIM XXX" TO BE DETERMINED BY THE CUSTOMER.
- ⑪ CONNECTOR KEEP-OUT ZONE.

mat'l code				tolerances unless otherwise specified		CUSTOMER		FCI	
ltr	ecm no.	dr	date	linear	0.X ± 0.3	COPY		www.fciconnect.com	
A					0.XX ± 0.13	projection	title		
				angles	0.XXX ± 0.051		12S + 18P		
				dr	0° ± 2°		VERTICAL PRESSFIT RECEIPT		
				engr	Jerome Chen 05/29/07	MM	product family	PwrBlade	code
				chr	Jerome Chen 05/29/07	scale	size	dwg no	213
				appd	Gary Hsieh 05/29/07	1:1	A	51751-017	sheet
					Joseph Hsiao 05/29/07				4 of 4
sheet index	revision sheet								

Pro/E

cage code 22526