

Excellent Integrated System Limited

Stocking Distributor

Click to view price, real time Inventory, Delivery & Lifecycle Information:

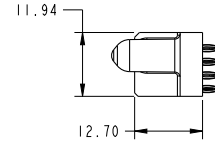
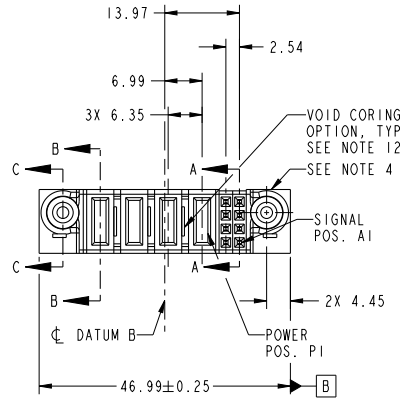
[FCI](#)

[51751-028LF](#)

For any questions, you can email us directly:

sales@integrated-circuit.com

PRODUCT NO.	ROWS	POWER					SIGNAL	
		E2	P4	P3	P2	P1	2 1	E1
51751-028-- NOTE: 3	D C B A							



CODE	DIM "M" MATING LENGTH	CONTACT TYPE
PC	[1.07]	POWER
F	[N/A]	SIGNAL

spec ref	see notes		dr	Guang Shi	2011/06/14	projection	MM	size	A4	scale	1:1
tolerance std	TOLERANCES UNLESS OTHERWISE SPECIFIED		eng	Guang Shi	2011/08/22			ecn no	-	rel level	Released
see notes			chr	-	-		product family	PwrBlade			
surface	linear	0.X ±0.50	appr	Pei-Ming Zheng	2011/08/22	8S + 4P		www.fci.com	cat. no.	Product - Customer Drw	sheet 1 of 4
		0.XX ±0.25			VERTICAL PF RECEPT		51751-028				
	angular	0° ±2°									

Print File - REV C - 2009-08-09

1

2

3

PDS: Rev :A

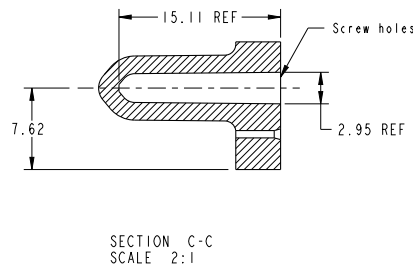
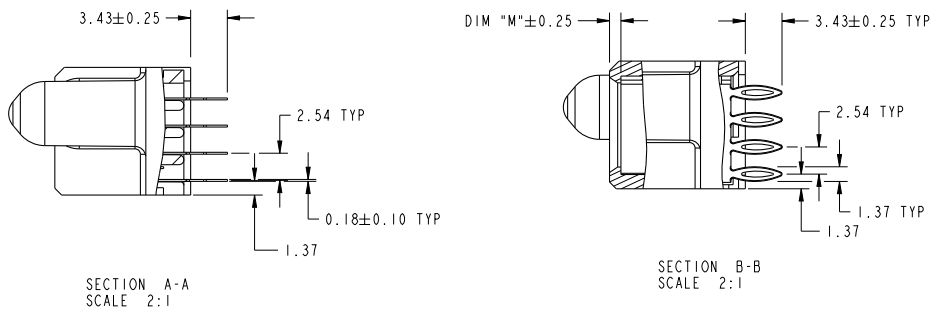
STATUS:Released

Printed: Aug 22, 2011



Copyright FCI.

PRODUCT NUMBER
51751-028-...
NOTE: 3

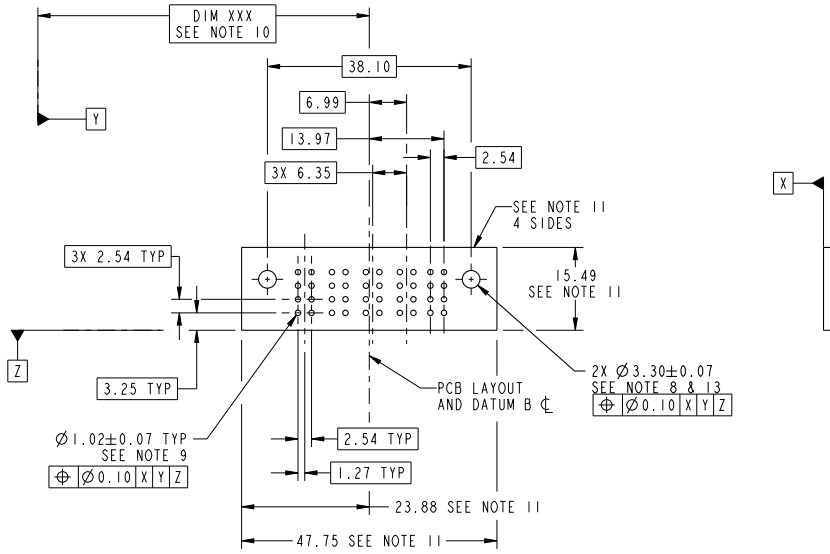


Copyright FCI.

spec ref	see notes			dr	Guang Shi	2011/06/14	projection	MM	size	A4	scale	1:1
tolerance std	TOLERANCES UNLESS OTHERWISE SPECIFIED			eng	Guang Shi	2011/08/22			ecn no	-	rel level	Released
See notes				chr	-	product family			PwrBlade	rel level	Released	
surface	linear	0.X	±0.50		title 8S + 4P VERTICAL PF RECEPT			product family PwrBlade	dwg no 51751-028	rev A		
		0.XX	±0.25		www.fci.com	cat. no.	Product - Customer Drw				sheet 2 of 4	
	angular	0°	±2°									

Print File: REC - 2009-08-09

PRODUCT NUMBER
51751-028-
NOTE: 3



RECOMMENDED PCB LAYOUT

spec ref	see notes			dr	Guang, Shi	2011/06/14	projection	MM	size	A4	scale	1:1					
tolerance std	TOLERANCES UNLESS OTHERWISE SPECIFIED			eng	Guang, Shi	2011/08/22			ecn no	-	rel level	Released					
See notes				chr	-	app			Pei-Ming Zheng	2011/08/22			product family	PwrBlade			
surface	<input checked="" type="checkbox"/> linear <table border="1"> <tr> <td>0.X</td> <td>±0.50</td> </tr> <tr> <td>0.XX</td> <td>±0.25</td> </tr> <tr> <td>0.XXX</td> <td>±0.10</td> </tr> </table> <input type="checkbox"/> angular <table border="1"> <tr> <td>0°</td> <td>±2°</td> </tr> </table>	0.X	±0.50	0.XX	±0.25	0.XXX	±0.10	0°	±2°			title 8S + 4P VERTICAL PF RECEPT	cat. no.	www.fci.com	product - Customer Drw	sheet 3 of 4	rev A
0.X	±0.50																
0.XX	±0.25																
0.XXX	±0.10																
0°	±2°																

Print File: REC - 2009-08-09



Copyright FCI.

PRODUCT NUMBER
51751-028LF NOTE: 3

NOTES:

1. DIMENSIONS AND TOLERANCES ARE IN ACCORDANCE WITH ASME Y14.5M, 1994 UNLESS OTHERWISE SPECIFIED.

CONNECTOR NOTES:

- ② HOUSING MATERIAL: UL 94 V-0 GLASS FILLED HIGH-TEMP THERMOPLASTIC
POWER CONTACT MATERIAL: COPPER ALLOY
SIGNAL PIN MATERIAL: COPPER ALLOY
- 3. SEE ITEM 3 & 4 IN PRINT 10064183 FOR PLATING SPEC OF 51751-028 AND 51751-028LF RESPECTIVELY.

④ MANUFACTURER'S NAME, DATE CODE AND OPTIONAL P/N TO APPEAR ON THIS SURFACE. THE P/N CAN BE OMITTED IF THERE IS NOT ENOUGH SPACE ON THIS SURFACE.

5. PRODUCT SPECIFICATION GS-12-149.
APPLICATION SPECIFICATION BUS-20-067.

6. PACKAGED IN TRAYS.

PCB NOTES:

7. ALL HOLE DIAMETERS ARE FINISHED HOLE SIZE.

⑧ MOUNTING HOLES, WHERE APPLICABLE, ARE UNPLATED.

⑨ $\varnothing 1.151 \pm 0.025$ DRILLED HOLES PLATED WITH 0.008 MIN SnPb OR Sn OVER 0.03 TO 0.08 Cu PLATING TO ACHIEVE $\varnothing 1.02 \pm 0.07$ HOLE.

⑩ "DIM XXX" TO BE DETERMINED BY THE CUSTOMER.

⑪ CONNECTOR KEEP-OUT ZONE.

12. THE VOID CORING IN BETWEEN POWER MODULES, SIGNAL MODULES AND END MODULES ARE OPTIONAL AND THE SHAPE MAY BE DIFFERENT FOR OPTIMIZE THE MOLDING PROCESS. THE VOID CORING WILL NOT EFFECT TO PRODUCT FUNCTION.

13. RECOMMENDED RETENTION TO PCB
 $\varnothing 3.3 \pm 0.07$ THRU HOLE FOR #5 SOCKET HEAD CAP SCREW
MAX HEAD 5.21 RECOMMENDED SCRW 12+PCB THICKNESS.
RECOMMENDED SCREW SEATING TO PCB TORQUE (2300-5760 gf-cm) .

spec ref	see notes			dr	Guang, Shi	2011/06/14	projection	MM	size	A4	scale	1:1	
tolerance std	TOLERANCES UNLESS OTHERWISE SPECIFIED			eng	Guang, Shi	2011/08/22		← →	ecn no	-	rel level	Released	
See notes				chr	-	-			product family	PwrBlade			
surface	linear	0.X	± 0.50	appr	Pei-Ming Zheng	2011/08/22	FCj		8S + 4P	dwg no	51751-028	rev	A
		0.XX	± 0.25				VERTICAL PF RECEPT						
		0.XXX	± 0.10				www.fci.com		cat. no.		Product - Customer Drw		
	angular	0°	$\pm 2°$								sheet 4 of 4		

Print File : REC - 2009-08-09



Copyright FCI.