

Excellent Integrated System Limited

Stocking Distributor

Click to view price, real time Inventory, Delivery & Lifecycle Information:

[FCI](#)
[51752-022](#)

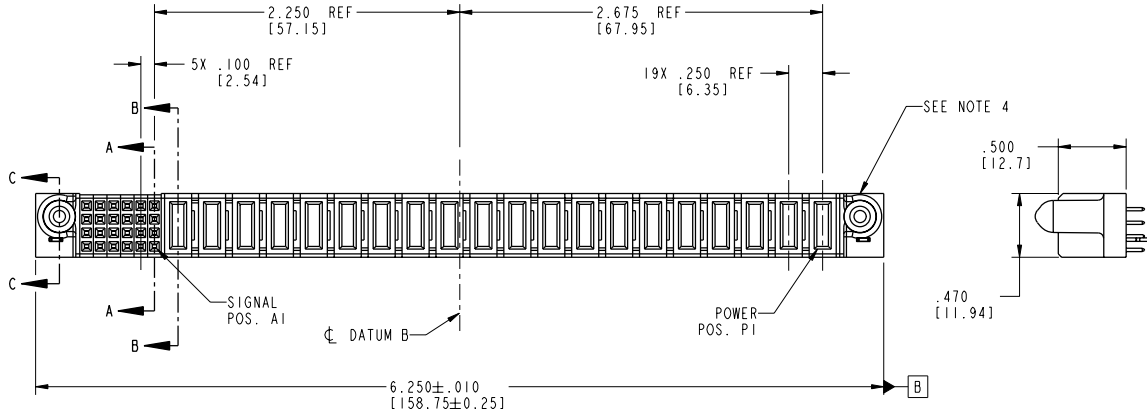
For any questions, you can email us directly:
sales@integrated-circuit.com

Tous droits strictement réservés. Reproduction ou communication à des tiers interdite sous quelque forme que ce soit sans autorisation écrite du propriétaire. Propriété de c FCI. Droits de reproduction FCI.

FCI

All rights strictly reserved. Reproduction or issue to third parties in any form whatever is not permitted without written authority from the proprietor. Property of FCI. Copyright FCI.

PRODUCT NO.	ROWS	SIG												POWER													
		E2	6	5	4	3	2	1	P20	P19	P18	P17	P16	P15	P14	P13	P12	P11	P10	P9	P8	P7	P6	P5	P4	P3	P2
51752-022-- NOTE ③	D C B A	[Pin Symbols]												[Pin Symbols]													



CODE	DIM "M" MATING LENGTH	CONTACT TYPE
E	N/A [N/A]	SIGNAL
PD	.092 [2.34]	POWER
PA	.042 [1.07]	POWER
HA	N/A [N/A]	HOLD-DOWN

mat'l code		SEE NOTE 2		tolerances unless otherwise specified		CUSTOMER		FCI		www.fciconnect.com	
itr	ecm no.	dr	date	linear	.XX±.01/0.X±0.3	projection	COPY	title	20P + 24S		
A	D606-0121	RYAN	03/29/06	linear	.XX±.005/0.XX±0.13	projection		VERTICAL SOLDER RECEPT			
				angles	.XX±.002/0.XX±0.051	projection		product family	PwrBlade		
				dr	RYAN YUAN 03/21/06	projection		size	dwg no		
				eng	SALLY LUO 03/21/06	projection		scale	A 51752-022		
				chr	BEER FU 03/21/06	projection		scale	1:1		
				appd	JOSEPH HSIA 03/21/06	projection		code	213		
sheet index	revision sheet	A	A	A	A			sheet	1 of 4		
		1	2	3	4			cage code	22526		

Pro/E

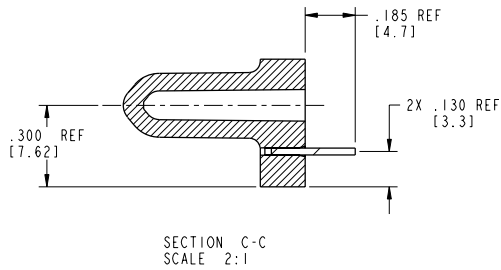
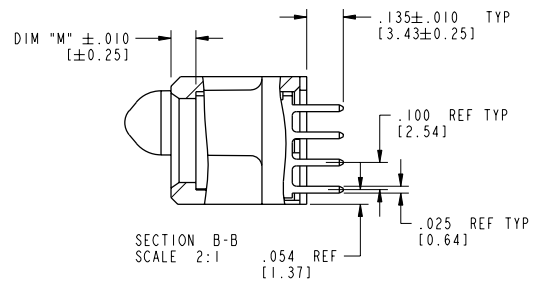
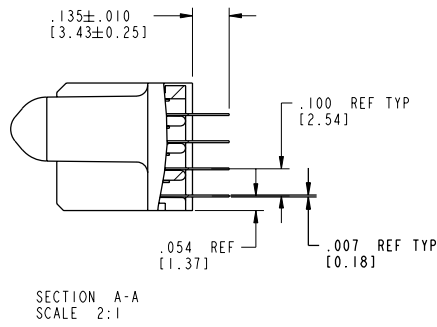
cage code 22526

Tous droits strictement réservés. Reproduction ou communication, en des tiers interdite sous quelque forme que ce soit sans autorisation écrite du propriétaire. Propriété de c FCI. Droits de reproduction FCI.



All rights strictly reserved. Reproduction or issue to third parties in any form whatever is not permitted without written authority from the proprietor. Property of FCI. Copyright FCI.

PRODUCT NUMBER
51752-022--
NOTE ③



mat'l code		SEE NOTE 2		tolerances unless otherwise specified		CUSTOMER		FCI		www.fciconnect.com	
itr	ecm no.	dr	date	linear	.XX±.01/0.X±0.3	projection	COPY	title	20P + 24S		
A				angles	.XXY±.005/0.XY±0.13			VERTICAL SOLDER RECEPT			
				dr	.XXY±.002/0.XY±0.051			product family	PwrBlade		code
				eng	0° ± 7°	INCH/MM	scale	size	A		213
				chr		1:1		dwg no	51752-022		sheet
				appd							2 of 4
sheet index	revision sheet										

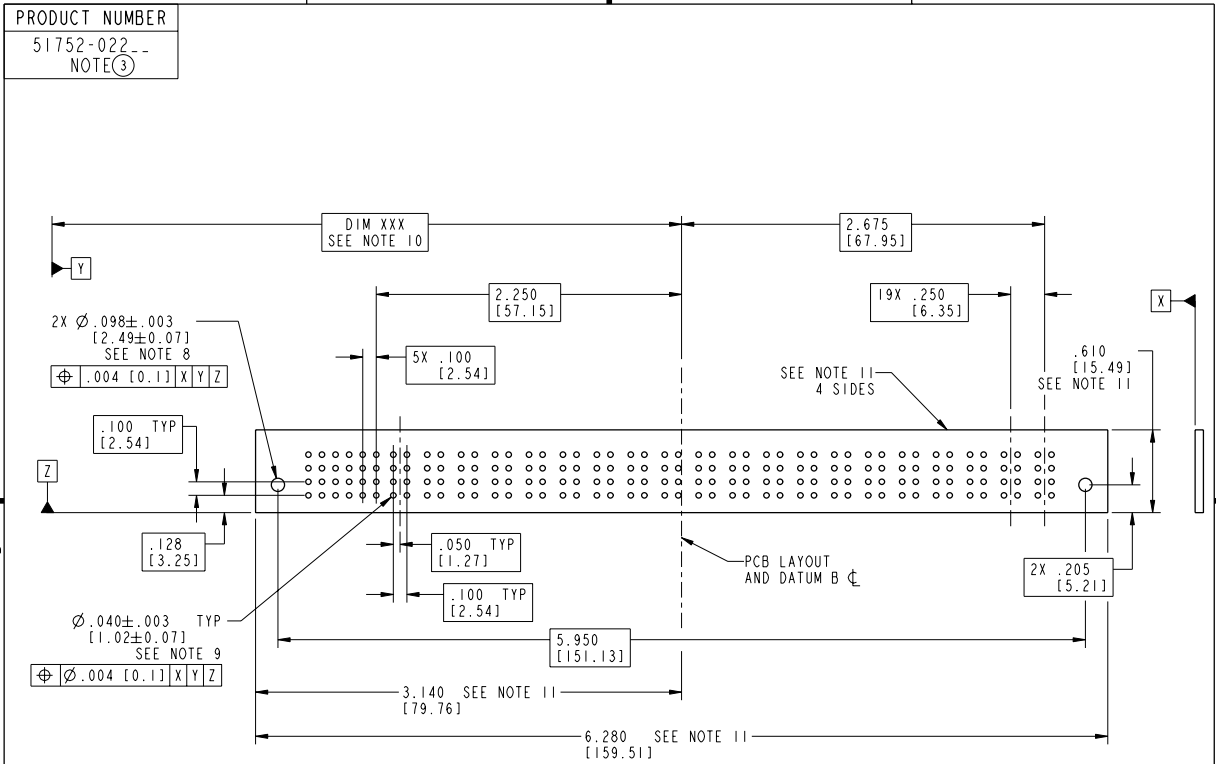
Pro/E

cage code 22526

Tous droits strictement réservés. Reproduction ou communication à des tiers interdite sans la permission écrite du propriétaire. Propriété de FCI. Droits de reproduction FCI.



All rights strictly reserved. Reproduction or issue to third parties in any form without the written authority from the proprietor. Property of FCI. Copyright FCI.



mat'l code		SEE NOTE 2		tolerances unless otherwise specified		CUSTOMER		 www.fciconnect.com	
itr	ecm no.	dr	date	linear	$.XX \pm .01 / 0.X \pm 0.3$ $.XXY \pm .005 / 0.XY \pm 0.13$ $.XXYZ \pm .0020 / 0.XXYZ \pm 0.051$	projection	COPY		
A				angles	$0^\circ \pm 7^\circ$		title 20P + 24S		
				dr	RYAN YUAN 03/21/06	 scale 1:1	product family PwrBlade		code 213
				eng	SALLY LUO 03/21/06		size		sheet 3 of 4
				chr	BEER FU 03/21/06		A 51752-022		
				appd	JOSEPH HSIA 03/21/06				
sheet index	revision sheet							cage code 22526	

Pro/E

22526

Tous droits strictement réservés. Reproduction ou communication à des tiers interdite sous quelque forme que ce soit sans autorisation écrite du propriétaire. Propriété de c FCI. Droits de reproduction FCI.



All rights strictly reserved. Reproduction or issue to third parties in any form whatever is not permitted without written authority from the proprietor. Property of FCI. Copyright FCI.

PRODUCT NUMBER
 51752-022 -
 NOTE(3)

NOTES:

1. DIMENSIONS AND TOLERANCES ARE IN ACCORDANCE WITH ASME Y14.5M, 1994 UNLESS OTHERWISE SPECIFIED.

CONNECTOR NOTES:

(2) HOUSING MATERIAL: UL 94 V-0 GLASS FILLED HIGH-TEMP THERMOPLASTIC
 POWER CONTACT MATERIAL: COPPER ALLOY
 SIGNAL PIN MATERIAL: COPPER ALLOY

(3) PLATING:
 SEE PRINT 10064183 FOR PLATING SPEC OF 51752-022; 51752-022LF

(4) MANUFACTURER'S NAME, P/N, AND DATE CODE TO APPEAR ON THIS SURFACE.

5. PRODUCT SPECIFICATION GS-12-149.
 APPLICATION SPECIFICATION BUS-20-067.

6. PACKAGED IN TRAYS.

PCB NOTES:

7. ALL HOLE DIAMETERS ARE FINISHED HOLE SIZE.

(8) MOUNTING HOLES, WHERE APPLICABLE, ARE UNPLATED.

(9) $\varnothing .0453 \pm .0010$ [1.151 \pm 0.025] DRILLED HOLES PLATED WITH
 .0003 [0.008] MIN SnPb OVER .001 [0.03]
 TO .003 [0.08] Cu PLATING TO ACHIEVE
 $\varnothing .040 \pm .003$ [1.02 \pm .07] HOLE.

(10) "DIM XXX" TO BE DETERMINED BY THE CUSTOMER.

(11) CONNECTOR KEEP-OUT ZONE.

mat'l code		SEE NOTE 2		tolerances unless otherwise specified		CUSTOMER		www.fciconnect.com	
itr	ecm no.	dr	date	linear	projection	COPY		title	
A				.XX \pm .01/0.X \pm 0.3				20P + 24S	
				.XXY \pm .005/0.XY \pm 0.13				VERTICAL SOLDER RECEPT	
				angles	0 \pm 7 ϕ			product family PwrBlade	
		dr	RYAN YUAN 03/21/06	eng	SALLY LUO 03/21/06	INCH/MM		code 213	
		chr	BEER FU 03/21/06	appd	JOSEPH HSIA 03/21/06	scale 1:1		sheet 4 of 4	
sheet index	revision sheet								

Pro/E

cage code 22526