

## Excellent Integrated System Limited

Stocking Distributor

Click to view price, real time Inventory, Delivery & Lifecycle Information:

[FCI](#)

[51752-026LF](#)

For any questions, you can email us directly:

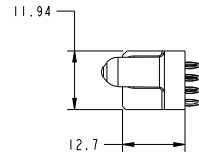
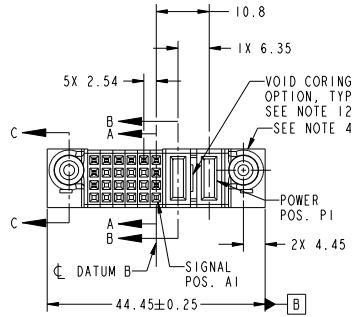
[sales@integrated-circuit.com](mailto:sales@integrated-circuit.com)

Tous droits strictement réservés. Reproduction ou communication à des tiers interdite sous quelque forme que ce soit sans autorisation écrite du propriétaire. Propriété de C.FCI. Droits de reproduction FCI.

All rights strictly reserved. Reproduction or issue to third parties in any form whatever is not permitted without written authority from the proprietor. Property of FCI. Copyright FCI.



PRODUCT NO.	ROWS	SIGNAL					POWER		
		E2	4	3	2	1	P2	P1	E1
51752-026-..	D C B A	PF	PF	PF	PF	PF	PF	PF	PF
NOTE: 3		PF	PF	PF	PF	PF	PF	PF	PF



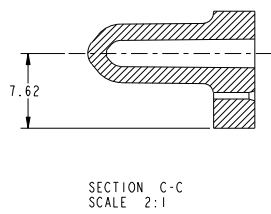
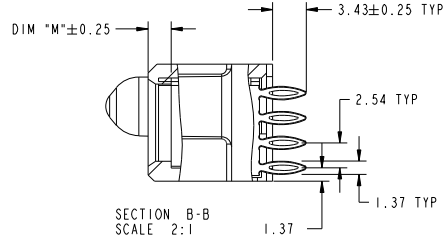
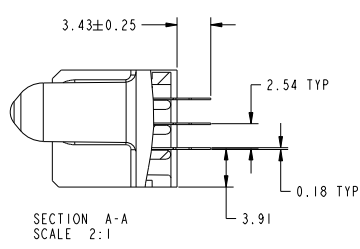
CODE	DIM "M" MATING LENGTH	CONTACT TYPE
PF	[2.34]	POWER
F	[N/A]	SIGNAL
X	OMITTED	

SEE NOTES				tolerances unless otherwise specified		CUSTOMER	
ltr	ecm no.	dr	date	linear	0.X ± 0.5	COPY	www.fciconnect.com
A	DG09-0128	JW	01/14/09		0.XX ± 0.25	projection	
				angles	0.XXX ± 0.1		
				dr	0° ± 2°	MM	product family PwrBlade
				enr	JULIA WANG 01/14/09	scale	size A
				chr	JEROME CHEN 01/14/09	1:1	dwg no 51752-026
				oppd	GARY HSIEH 01/14/09		code 213
					JOSEPH HSIA 01/14/09		sheet 1 of 4
sheet index	revision sheet	A 1	A 2	A 3	A 4		cage code 22526

Tous droits strictement réservés. Reproduction ou communication à des tiers interdite sous quelque forme que ce soit sans autorisation écrite du propriétaire. Propriété de FCI. Droits de reproduction FCI.

All rights strictly reserved. Reproduction or issue to third parties in any form whatever is not permitted without written authority from the proprietor. Property of FCI. Copyright FCI.

PRODUCT NUMBER  
51752-026...  
NOTE: 3

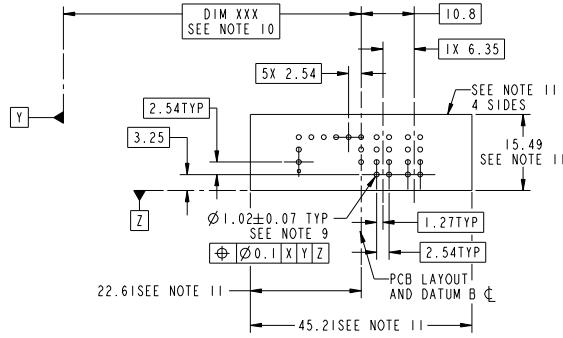


mat'l code				tolerances unless otherwise specified				CUSTOMER		FCI		www.fciconnect.com	
ltr	ecm no.	dr	date	linear	0.X ±0.5	COPY		projection		title			
A					0.XX ±0.25	MM		A		2P + 24S			
				angles	0.XXX ±0.1	1:1		product family		PwrBlade		code	
				dr	0° ±2°	A		size		51752-026		213	
				enr	JULIA WANG 01/14/09	A		dwg no		2 of 4		sheet	
				chr	JEROME CHEN 01/14/09	A		scale		22526		2 of 4	
				oppd	GARY HSIEH 01/14/09	A		cage code		22526		2 of 4	
					JOSEPH HSIA 01/14/09	A		cage code		22526		2 of 4	
sheet index	revision sheet												

Tous droits strictement réservés. Reproduction ou communication à des tiers interdite sous quelque forme que ce soit sans autorisation écrite du propriétaire. Propriété de FCI. Droits de reproduction FCI.

All rights strictly reserved. Reproduction or issue to third parties in any form whatever is not permitted without written authority from the proprietor. Property of FCI. Copyright FCI.

PRODUCT NUMBER  
51752-026-  
NOTE: 3



mat'l code				tolerances unless otherwise specified		CUSTOMER	
ltr	ecm no.	dr	date	0.X ± 0.5	linear	0.XX ± 0.25	projection
A				0.XXX ± 0.1	angles	0° ± 2°	MM
					dr	JULIA WANG 01/14/09	scale
					enr	JEROME CHEN 01/14/09	1:1
					chr	GARY HSIEH 01/14/09	
					oppd	JOSEPH HSIA 01/14/09	
sheet index	revision sheet						

<b>FCI</b>		www.fciconnect.com	
title		2P + 24S	
VERTICAL PRESS-FIT RECEPT		product family PwrBlade	
size	dwg no	code	213
A	51752-026	sheet	3 of 4
cage code		22526	

Tous droits strictement réservés. Reproduction ou communication à des tiers interdite sous quelque forme que ce soit sans autorisation écrite du propriétaire. Propriété de FCI. Droits de reproduction FCI.

All rights strictly reserved. Reproduction or issue to third parties in any form whatever is not permitted without written authority from the proprietor. Property of FCI. Copyright FCI.

PRODUCT NUMBER  
51752-026-  
NOTE: 3

NOTES:

1. DIMENSIONS AND TOLERANCES ARE IN ACCORDANCE WITH ASME Y14.5M, 1994 UNLESS OTHERWISE SPECIFIED.

CONNECTOR NOTES:

- ② HOUSING MATERIAL: UL 94 V-0 GLASS FILLED HIGH-TEMP THERMOPLASTIC  
POWER CONTACT MATERIAL: COPPER ALLOY  
SIGNAL PIN MATERIAL: COPPER ALLOY
- 3. PLATING SPEC.  
SEE NOTE 7 & 8 IN PRINT 10064183 FOR PLATING SPEC OF 51752-026, 51752-026LF RESPECTIVELY.

④ MANUFACTURER'S NAME, P/N, AND DATE CODE TO APPEAR ON THIS SURFACE.

5. PRODUCT SPECIFICATION GS-12-149.  
APPLICATION SPECIFICATION BUS-20-067.

6. PACKAGED IN TRAYS.

PCB NOTES:

- 7. ALL HOLE DIAMETERS ARE FINISHED HOLE SIZE.
- ⑧ MOUNTING HOLES, WHERE APPLICABLE, ARE UNPLATED.
- ⑨  $\varnothing 1.151 \pm 0.025$  DRILLED HOLES PLATED WITH 0.008 MIN SnPb OR Sn OVER 0.03 TO 0.08 Cu PLATING TO ACHIEVE  $\varnothing 1.02 \pm 0.07$  HOLE.
- ⑩ "DIM XXX" TO BE DETERMINED BY THE CUSTOMER.
- ⑪ CONNECTOR KEEP-OUT ZONE.
- 12. THE VOID CORING IN BETWEEN POWER MODULES, SIGNAL MODULES AND END MODULES ARE OPTIONAL AND THE SHAPE MAY BE DIFFERENT FOR OPTIMIZE THE MOLDING PROCESS. THE VOID CORING WILL NOT EFFECT TO PRODUCT FUNCTION.

mat'l code				tolerances unless otherwise specified		CUSTOMER		FCI	
ltr	ecm no.	dr	date	linear	0.X ± 0.5	COPY		www.fciconnect.com	
A					0.XX ± 0.25	projection	title		
				angles	0.XXX ± 0.1		2P + 24S		
				dr	0° ± 2°		VERTICAL PRESS-FIT RECEIPT		
				engr	JULIA WANG 01/14/09	scale	product family	PwrBlade	code
				chr	JEROME CHEN 01/14/09	1:1	size	dwg no	213
				oppd	GARY HSIEH 01/14/09		A	51752-026	sheet
sheet index	revision sheet				JOSEPH HSIA 01/14/09				4 of 4

Pro/E

cage code 22526