

## Excellent Integrated System Limited

Stocking Distributor

Click to view price, real time Inventory, Delivery & Lifecycle Information:

[FCI](#)

[51770-017](#)

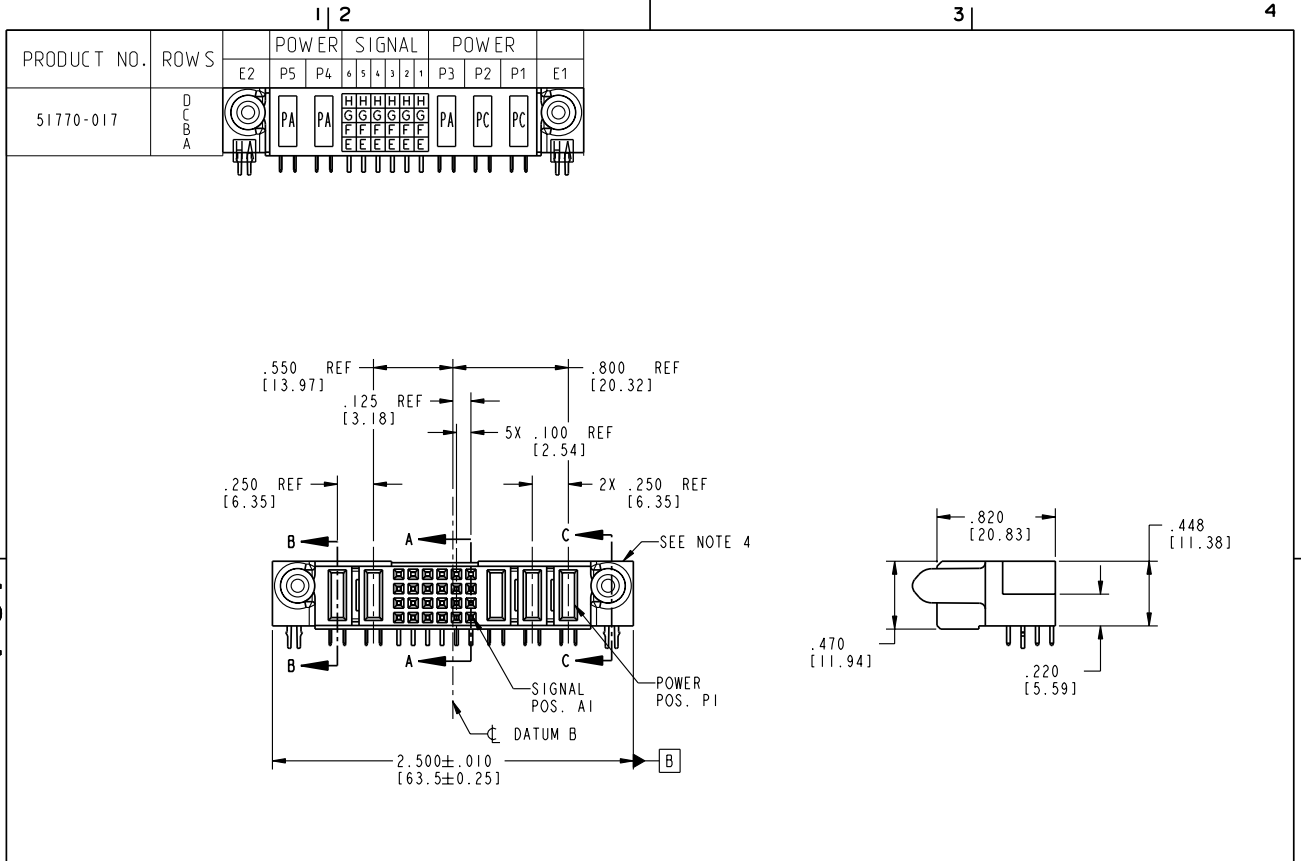
For any questions, you can email us directly:

[sales@integrated-circuit.com](mailto:sales@integrated-circuit.com)

Tous droits strictement réservés. Reproduction ou communication, o des liers interdite sous quelque forme que ce soit sans autorisation écrite du propriétaire. Propriété de c FCI. Droits de reproduction FCI.

**FCI**

All rights strictly reserved. Reproduction or issue to third parties in any form whatever is not permitted without written authority from the proprietor. Property of FCI. Copyright FCI.



CODE	DIM "M" MATING LENGTH	CONTACT TYPE
E	N/A [N/A]	SIGNAL
F	N/A [N/A]	SIGNAL
G	N/A [N/A]	SIGNAL
H	N/A [N/A]	SIGNAL
PA	.042 [1.07]	POWER
PC	.092 [2.34]	POWER
HA	N/A [N/A]	HOLD-DOWN

mat'l code				tolerances unless otherwise specified		CUSTOMER	
SEE NOTE 2						FCI www.fciconnect.com	
lir	ecn no.	dr	date	linear	projection	title	
A	V04-0557	TAB	05/27/04	.XX±.01/0.X±0.3	⊕	3P + 24S + 2P	
				.XXX±.005/0.XX±0.13		R/A SOLDER RECEPTACLE	
				angles	INCH/MM	product family	code
				dr	T. BRUNGARD	PwrBlade	213
				engr	M. GRAY	size	dwg no
				chr	M. GRAY	A	51770-017
				appd	M. GRAY	scale	sheet
						1:1	1 of 4
sheet index	revision sheet	A	A	A	A	cage code	
		1	2	3	4	22526	

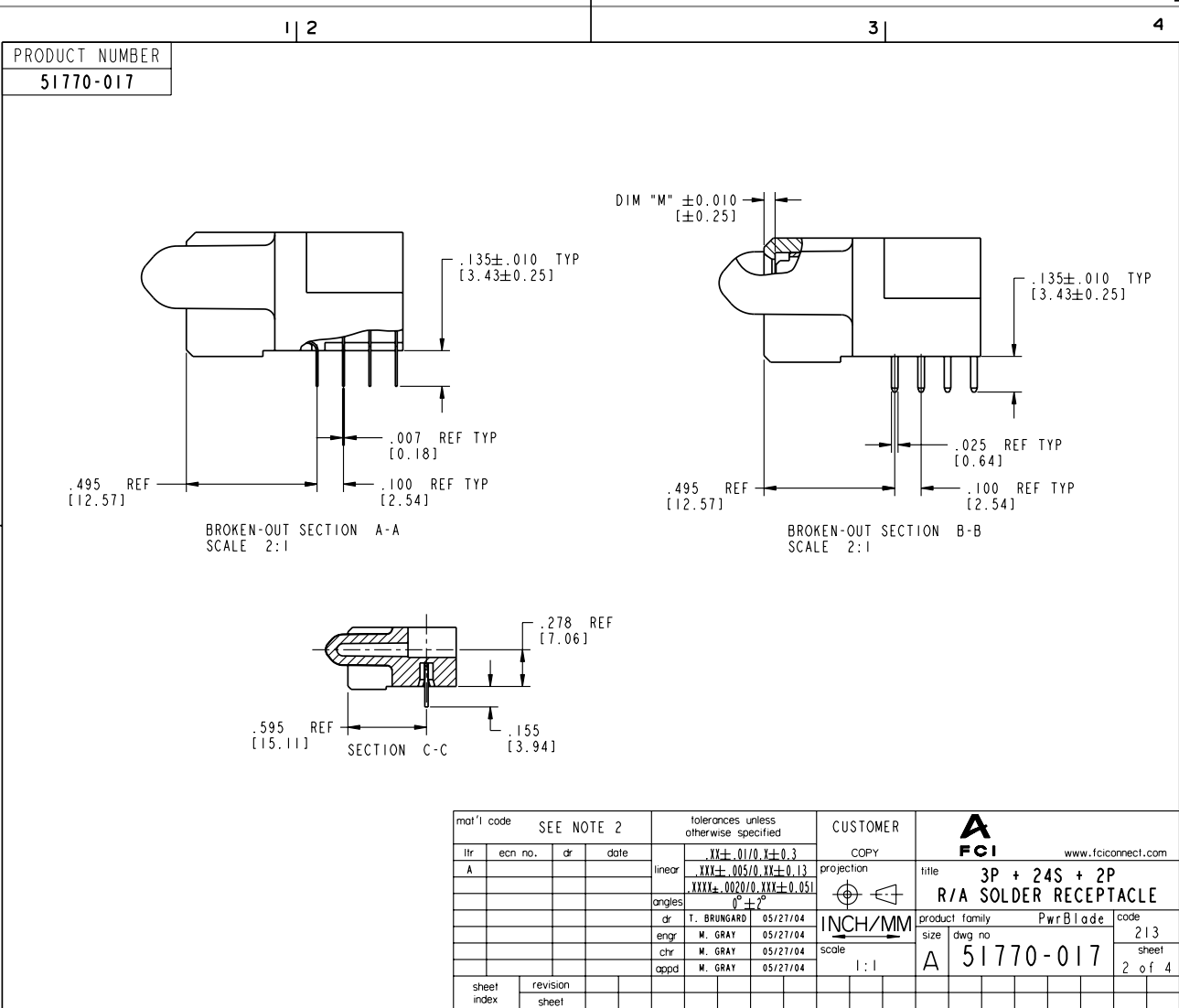
Pro/E 3 cage code 22526 4

PDM: Rev:A STATUS:Released Printed: Dec 20, 2010

Tous droits strictement réservés. Reproduction ou communication, o des liens interdite sous quelque forme que ce soit sans autorisation écrite du propriétaire. Propriété de c FCI. Droits de reproduction FCI.

**FCI**

All rights strictly reserved. Reproduction or issue to third parties in any form whatever is not permitted without written authority from the proprietor. Property of FCI. Copyright FCI.



1 | 2

3 |

4

PRODUCT NUMBER  
51770-017

DIM "M" ±0.010 [±0.25]

.135±.010 TYP [3.43±0.25]

.135±.010 TYP [3.43±0.25]

.007 REF TYP [0.18]

.025 REF TYP [0.64]

.495 REF [12.57]

.495 REF [12.57]

.100 REF TYP [2.54]

.100 REF TYP [2.54]

BROKEN-OUT SECTION A-A  
SCALE 2:1

BROKEN-OUT SECTION B-B  
SCALE 2:1

.278 REF [7.06]

.595 REF [15.11]

.155 [3.94]

SECTION C-C

1 | 2

3 |

4

Pro/E

cage code 22526

**PDM: Rev:A**

STATUS: **Released**

Printed: Dec 20, 2010



Tous droits strictement réservés. Reproduction ou communication, o des liens interdite sous quelque forme que ce soit sans autorisation écrite du propriétaire. Propriété de c FCI. Droits de reproduction FCI.



All rights strictly reserved. Reproduction or issue to third parties in any form whatever is not permitted without written authority from the proprietor. Property of FCI. Copyright FCI.

	1   2	3	4																																																																																																																						
<table border="1" style="width:100%; border-collapse: collapse;"> <tr> <td style="width: 20%;">PRODUCT NUMBER</td> <td colspan="3">51770-017</td> </tr> <tr> <td>NOTES:</td> <td colspan="3"> <p>1. DIMENSIONS AND TOLERANCES ARE IN ACCORDANCE WITH ASME Y14.5M, 1994 UNLESS OTHERWISE SPECIFIED.</p> <p>CONNECTOR NOTES:</p> <p>2. HOUSING MATERIAL: UL 94 V-0 GLASS FILLED HIGH-TEMP THERMOPLASTIC POWER CONTACT MATERIAL: COPPER ALLOY SIGNAL PIN MATERIAL: COPPER ALLOY</p> <p>3. PLATING: SIGNAL PINS: 30u"/0.76um Au OVER 50u"/1.27um Ni POWER CONTACTS: 50u"/1.27um Ni UNDER ALL WITH 30u"/0.76um Au ON CONTACT AREA AND SnPb ON PCB INTERFACE</p> <p>4. MANUFACTURER'S NAME, P/N, AND DATE CODE TO APPEAR ON THIS SURFACE.</p> <p>5. PRODUCT SPECIFICATION GS-12-149. APPLICATION SPECIFICATION BUS-20-067.</p> <p>6. PACKAGED IN TRAYS.</p> <p>PCB NOTES:</p> <p>7. ALL HOLE DIAMETERS ARE FINISHED HOLE SIZE.</p> <p>8. MOUNTING HOLES, WHERE APPLICABLE, ARE UNPLATED.</p> <p>9. <math>\varnothing .0453 \pm .0010</math> [1.151 <math>\pm</math> 0.025] DRILLED HOLES PLATED WITH .0003 [0.008] MIN SnPb OVER .001 [0.03] TO .003 [0.08] Cu PLATING TO ACHIEVE <math>\varnothing .040 \pm .003</math> [1.02 <math>\pm</math> .07] HOLE.</p> <p>10. "DIM XXX" TO BE DETERMINED BY THE CUSTOMER.</p> <p>11. CONNECTOR KEEP-OUT ZONE.</p> </td> </tr> <tr> <td colspan="4"> <table border="1" style="width:100%; border-collapse: collapse;"> <tr> <td colspan="2">mat'l code</td> <td colspan="2">SEE NOTE 2</td> <td colspan="2">tolerances unless otherwise specified</td> <td colspan="2">CUSTOMER</td> <td colspan="2" style="text-align: center;"> www.fciconnect.com</td> </tr> <tr> <td>lfr</td> <td>ecn no.</td> <td>dr</td> <td>date</td> <td>linear</td> <td><math>.XX \pm .01/0.X \pm 0.3</math></td> <td>COPY</td> <td colspan="3">title 3P + 24S + 2P</td> </tr> <tr> <td>A</td> <td></td> <td></td> <td></td> <td>projection</td> <td><math>.XXX \pm .005/0.XX \pm 0.13</math></td> <td>projection</td> <td colspan="3">R/A SOLDER RECEPTACLE</td> </tr> <tr> <td></td> <td></td> <td></td> <td></td> <td>angles</td> <td><math>.XXXX \pm .0020/0.XX \pm 0.051</math></td> <td></td> <td colspan="3">product family PwrBlade code 213</td> </tr> <tr> <td></td> <td></td> <td></td> <td></td> <td>dr</td> <td>T. BRUNGARD 05/27/04</td> <td>INCH/MM</td> <td colspan="3">size dwg no 51770-017 sheet 4 of 4</td> </tr> <tr> <td></td> <td></td> <td></td> <td></td> <td>enfr</td> <td>M. GRAY 05/27/04</td> <td>scale</td> <td colspan="3">A 1:1</td> </tr> <tr> <td></td> <td></td> <td></td> <td></td> <td>chr</td> <td>M. GRAY 05/27/04</td> <td></td> <td colspan="3"></td> </tr> <tr> <td></td> <td></td> <td></td> <td></td> <td>appd</td> <td>M. GRAY 05/27/04</td> <td></td> <td colspan="3"></td> </tr> <tr> <td>sheet index</td> <td>revision sheet</td> <td></td> <td></td> <td></td> <td></td> <td></td> <td></td> <td></td> <td></td> </tr> </table> </td> </tr> <tr> <td colspan="4" style="text-align: right;"> <table border="1" style="width:100%; border-collapse: collapse;"> <tr> <td style="width: 50%;"></td> <td style="width: 25%; text-align: center;">Pro/E</td> <td style="width: 25%; text-align: center;">3  </td> <td style="width: 25%; text-align: center;">4</td> </tr> <tr> <td colspan="4" style="text-align: right;"> <table border="1" style="width:100%; border-collapse: collapse;"> <tr> <td style="width: 50%;"></td> <td style="width: 25%; text-align: center;">cage code 22526</td> <td style="width: 25%;"></td> <td style="width: 25%;"></td> </tr> </table> </td> </tr> </table> </td> </tr> </table>				PRODUCT NUMBER	51770-017			NOTES:	<p>1. DIMENSIONS AND TOLERANCES ARE IN ACCORDANCE WITH ASME Y14.5M, 1994 UNLESS OTHERWISE SPECIFIED.</p> <p>CONNECTOR NOTES:</p> <p>2. HOUSING MATERIAL: UL 94 V-0 GLASS FILLED HIGH-TEMP THERMOPLASTIC POWER CONTACT MATERIAL: COPPER ALLOY SIGNAL PIN MATERIAL: COPPER ALLOY</p> <p>3. PLATING: SIGNAL PINS: 30u"/0.76um Au OVER 50u"/1.27um Ni POWER CONTACTS: 50u"/1.27um Ni UNDER ALL WITH 30u"/0.76um Au ON CONTACT AREA AND SnPb ON PCB INTERFACE</p> <p>4. MANUFACTURER'S NAME, P/N, AND DATE CODE TO APPEAR ON THIS SURFACE.</p> <p>5. PRODUCT SPECIFICATION GS-12-149. APPLICATION SPECIFICATION BUS-20-067.</p> <p>6. PACKAGED IN TRAYS.</p> <p>PCB NOTES:</p> <p>7. ALL HOLE DIAMETERS ARE FINISHED HOLE SIZE.</p> <p>8. MOUNTING HOLES, WHERE APPLICABLE, ARE UNPLATED.</p> <p>9. <math>\varnothing .0453 \pm .0010</math> [1.151 <math>\pm</math> 0.025] DRILLED HOLES PLATED WITH .0003 [0.008] MIN SnPb OVER .001 [0.03] TO .003 [0.08] Cu PLATING TO ACHIEVE <math>\varnothing .040 \pm .003</math> [1.02 <math>\pm</math> .07] HOLE.</p> <p>10. "DIM XXX" TO BE DETERMINED BY THE CUSTOMER.</p> <p>11. CONNECTOR KEEP-OUT ZONE.</p>			<table border="1" style="width:100%; border-collapse: collapse;"> <tr> <td colspan="2">mat'l code</td> <td colspan="2">SEE NOTE 2</td> <td colspan="2">tolerances unless otherwise specified</td> <td colspan="2">CUSTOMER</td> <td colspan="2" style="text-align: center;"> www.fciconnect.com</td> </tr> <tr> <td>lfr</td> <td>ecn no.</td> <td>dr</td> <td>date</td> <td>linear</td> <td><math>.XX \pm .01/0.X \pm 0.3</math></td> <td>COPY</td> <td colspan="3">title 3P + 24S + 2P</td> </tr> <tr> <td>A</td> <td></td> <td></td> <td></td> <td>projection</td> <td><math>.XXX \pm .005/0.XX \pm 0.13</math></td> <td>projection</td> <td colspan="3">R/A SOLDER RECEPTACLE</td> </tr> <tr> <td></td> <td></td> <td></td> <td></td> <td>angles</td> <td><math>.XXXX \pm .0020/0.XX \pm 0.051</math></td> <td></td> <td colspan="3">product family PwrBlade code 213</td> </tr> <tr> <td></td> <td></td> <td></td> <td></td> <td>dr</td> <td>T. BRUNGARD 05/27/04</td> <td>INCH/MM</td> <td colspan="3">size dwg no 51770-017 sheet 4 of 4</td> </tr> <tr> <td></td> <td></td> <td></td> <td></td> <td>enfr</td> <td>M. GRAY 05/27/04</td> <td>scale</td> <td colspan="3">A 1:1</td> </tr> <tr> <td></td> <td></td> <td></td> <td></td> <td>chr</td> <td>M. GRAY 05/27/04</td> <td></td> <td colspan="3"></td> </tr> <tr> <td></td> <td></td> <td></td> <td></td> <td>appd</td> <td>M. GRAY 05/27/04</td> <td></td> <td colspan="3"></td> </tr> <tr> <td>sheet index</td> <td>revision sheet</td> <td></td> <td></td> <td></td> <td></td> <td></td> <td></td> <td></td> <td></td> </tr> </table>				mat'l code		SEE NOTE 2		tolerances unless otherwise specified		CUSTOMER		www.fciconnect.com		lfr	ecn no.	dr	date	linear	$.XX \pm .01/0.X \pm 0.3$	COPY	title 3P + 24S + 2P			A				projection	$.XXX \pm .005/0.XX \pm 0.13$	projection	R/A SOLDER RECEPTACLE							angles	$.XXXX \pm .0020/0.XX \pm 0.051$		product family PwrBlade code 213							dr	T. BRUNGARD 05/27/04	INCH/MM	size dwg no 51770-017 sheet 4 of 4							enfr	M. GRAY 05/27/04	scale	A 1:1							chr	M. GRAY 05/27/04									appd	M. GRAY 05/27/04					sheet index	revision sheet									<table border="1" style="width:100%; border-collapse: collapse;"> <tr> <td style="width: 50%;"></td> <td style="width: 25%; text-align: center;">Pro/E</td> <td style="width: 25%; text-align: center;">3  </td> <td style="width: 25%; text-align: center;">4</td> </tr> <tr> <td colspan="4" style="text-align: right;"> <table border="1" style="width:100%; border-collapse: collapse;"> <tr> <td style="width: 50%;"></td> <td style="width: 25%; text-align: center;">cage code 22526</td> <td style="width: 25%;"></td> <td style="width: 25%;"></td> </tr> </table> </td> </tr> </table>					Pro/E	3	4	<table border="1" style="width:100%; border-collapse: collapse;"> <tr> <td style="width: 50%;"></td> <td style="width: 25%; text-align: center;">cage code 22526</td> <td style="width: 25%;"></td> <td style="width: 25%;"></td> </tr> </table>					cage code 22526		
PRODUCT NUMBER	51770-017																																																																																																																								
NOTES:	<p>1. DIMENSIONS AND TOLERANCES ARE IN ACCORDANCE WITH ASME Y14.5M, 1994 UNLESS OTHERWISE SPECIFIED.</p> <p>CONNECTOR NOTES:</p> <p>2. HOUSING MATERIAL: UL 94 V-0 GLASS FILLED HIGH-TEMP THERMOPLASTIC POWER CONTACT MATERIAL: COPPER ALLOY SIGNAL PIN MATERIAL: COPPER ALLOY</p> <p>3. PLATING: SIGNAL PINS: 30u"/0.76um Au OVER 50u"/1.27um Ni POWER CONTACTS: 50u"/1.27um Ni UNDER ALL WITH 30u"/0.76um Au ON CONTACT AREA AND SnPb ON PCB INTERFACE</p> <p>4. MANUFACTURER'S NAME, P/N, AND DATE CODE TO APPEAR ON THIS SURFACE.</p> <p>5. PRODUCT SPECIFICATION GS-12-149. APPLICATION SPECIFICATION BUS-20-067.</p> <p>6. PACKAGED IN TRAYS.</p> <p>PCB NOTES:</p> <p>7. ALL HOLE DIAMETERS ARE FINISHED HOLE SIZE.</p> <p>8. MOUNTING HOLES, WHERE APPLICABLE, ARE UNPLATED.</p> <p>9. <math>\varnothing .0453 \pm .0010</math> [1.151 <math>\pm</math> 0.025] DRILLED HOLES PLATED WITH .0003 [0.008] MIN SnPb OVER .001 [0.03] TO .003 [0.08] Cu PLATING TO ACHIEVE <math>\varnothing .040 \pm .003</math> [1.02 <math>\pm</math> .07] HOLE.</p> <p>10. "DIM XXX" TO BE DETERMINED BY THE CUSTOMER.</p> <p>11. CONNECTOR KEEP-OUT ZONE.</p>																																																																																																																								
<table border="1" style="width:100%; border-collapse: collapse;"> <tr> <td colspan="2">mat'l code</td> <td colspan="2">SEE NOTE 2</td> <td colspan="2">tolerances unless otherwise specified</td> <td colspan="2">CUSTOMER</td> <td colspan="2" style="text-align: center;"> www.fciconnect.com</td> </tr> <tr> <td>lfr</td> <td>ecn no.</td> <td>dr</td> <td>date</td> <td>linear</td> <td><math>.XX \pm .01/0.X \pm 0.3</math></td> <td>COPY</td> <td colspan="3">title 3P + 24S + 2P</td> </tr> <tr> <td>A</td> <td></td> <td></td> <td></td> <td>projection</td> <td><math>.XXX \pm .005/0.XX \pm 0.13</math></td> <td>projection</td> <td colspan="3">R/A SOLDER RECEPTACLE</td> </tr> <tr> <td></td> <td></td> <td></td> <td></td> <td>angles</td> <td><math>.XXXX \pm .0020/0.XX \pm 0.051</math></td> <td></td> <td colspan="3">product family PwrBlade code 213</td> </tr> <tr> <td></td> <td></td> <td></td> <td></td> <td>dr</td> <td>T. BRUNGARD 05/27/04</td> <td>INCH/MM</td> <td colspan="3">size dwg no 51770-017 sheet 4 of 4</td> </tr> <tr> <td></td> <td></td> <td></td> <td></td> <td>enfr</td> <td>M. GRAY 05/27/04</td> <td>scale</td> <td colspan="3">A 1:1</td> </tr> <tr> <td></td> <td></td> <td></td> <td></td> <td>chr</td> <td>M. GRAY 05/27/04</td> <td></td> <td colspan="3"></td> </tr> <tr> <td></td> <td></td> <td></td> <td></td> <td>appd</td> <td>M. GRAY 05/27/04</td> <td></td> <td colspan="3"></td> </tr> <tr> <td>sheet index</td> <td>revision sheet</td> <td></td> <td></td> <td></td> <td></td> <td></td> <td></td> <td></td> <td></td> </tr> </table>				mat'l code		SEE NOTE 2		tolerances unless otherwise specified		CUSTOMER		www.fciconnect.com		lfr	ecn no.	dr	date	linear	$.XX \pm .01/0.X \pm 0.3$	COPY	title 3P + 24S + 2P			A				projection	$.XXX \pm .005/0.XX \pm 0.13$	projection	R/A SOLDER RECEPTACLE							angles	$.XXXX \pm .0020/0.XX \pm 0.051$		product family PwrBlade code 213							dr	T. BRUNGARD 05/27/04	INCH/MM	size dwg no 51770-017 sheet 4 of 4							enfr	M. GRAY 05/27/04	scale	A 1:1							chr	M. GRAY 05/27/04									appd	M. GRAY 05/27/04					sheet index	revision sheet																																				
mat'l code		SEE NOTE 2		tolerances unless otherwise specified		CUSTOMER		www.fciconnect.com																																																																																																																	
lfr	ecn no.	dr	date	linear	$.XX \pm .01/0.X \pm 0.3$	COPY	title 3P + 24S + 2P																																																																																																																		
A				projection	$.XXX \pm .005/0.XX \pm 0.13$	projection	R/A SOLDER RECEPTACLE																																																																																																																		
				angles	$.XXXX \pm .0020/0.XX \pm 0.051$		product family PwrBlade code 213																																																																																																																		
				dr	T. BRUNGARD 05/27/04	INCH/MM	size dwg no 51770-017 sheet 4 of 4																																																																																																																		
				enfr	M. GRAY 05/27/04	scale	A 1:1																																																																																																																		
				chr	M. GRAY 05/27/04																																																																																																																				
				appd	M. GRAY 05/27/04																																																																																																																				
sheet index	revision sheet																																																																																																																								
<table border="1" style="width:100%; border-collapse: collapse;"> <tr> <td style="width: 50%;"></td> <td style="width: 25%; text-align: center;">Pro/E</td> <td style="width: 25%; text-align: center;">3  </td> <td style="width: 25%; text-align: center;">4</td> </tr> <tr> <td colspan="4" style="text-align: right;"> <table border="1" style="width:100%; border-collapse: collapse;"> <tr> <td style="width: 50%;"></td> <td style="width: 25%; text-align: center;">cage code 22526</td> <td style="width: 25%;"></td> <td style="width: 25%;"></td> </tr> </table> </td> </tr> </table>					Pro/E	3	4	<table border="1" style="width:100%; border-collapse: collapse;"> <tr> <td style="width: 50%;"></td> <td style="width: 25%; text-align: center;">cage code 22526</td> <td style="width: 25%;"></td> <td style="width: 25%;"></td> </tr> </table>					cage code 22526																																																																																																												
	Pro/E	3	4																																																																																																																						
<table border="1" style="width:100%; border-collapse: collapse;"> <tr> <td style="width: 50%;"></td> <td style="width: 25%; text-align: center;">cage code 22526</td> <td style="width: 25%;"></td> <td style="width: 25%;"></td> </tr> </table>					cage code 22526																																																																																																																				
	cage code 22526																																																																																																																								