

Excellent Integrated System Limited

Stocking Distributor

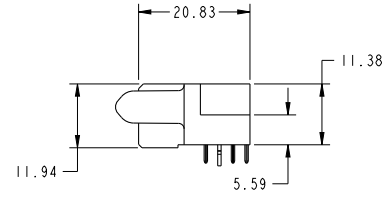
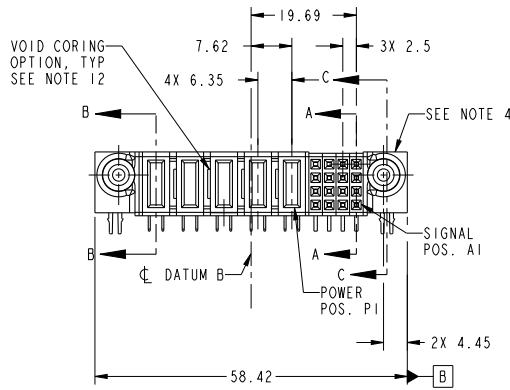
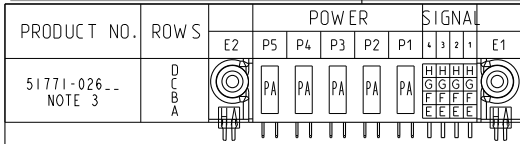
Click to view price, real time Inventory, Delivery & Lifecycle Information:

[FCI](#)

[51771-026LF](#)

For any questions, you can email us directly:

sales@integrated-circuit.com



CODE	DIM "M" MATING LENGTH	CONTACT TYPE
PA	[1.07]	POWER
H	[N/A]	SIGNAL
G	[N/A]	SIGNAL
F	[N/A]	SIGNAL
E	[N/A]	SIGNAL
HA	[N/A]	HOLD-DOWN

spec ref	SEE NOTES	dr	X Q Wang	2012/08/10	projection		MM	size	A4	scale	1:1
tolerance std	SEE NOTES	eng	Jackie Huang	2013/06/21	product family	PwrBlade	rel level	ecn no	-	rev	A
TOLERANCES UNLESS OTHERWISE SPECIFIED		chr	-	-							
surface	linear	appr	Pei-Ming Zheng	2013/06/21	16S+5P		51771-026		Product - Customer Drw		sheet 1 of 4
	0.X	±0.50		www.fci.com	R/A SOLDER RECEPTACLE		cat. no.		Product - Customer Drw		sheet 1 of 4
	0.XX	±0.25			cat. no.		Product - Customer Drw		sheet 1 of 4		
	0.XXX	±0.10			cat. no.		Product - Customer Drw		sheet 1 of 4		
	angular	0°	±2°		cat. no.		Product - Customer Drw		sheet 1 of 4		

Print File: REC - 2009-06-09

1

2

3

PDS: Rev :A

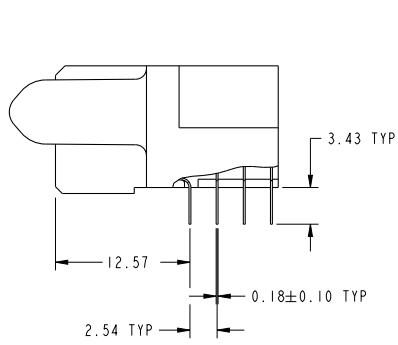
STATUS:Released

Printed: Jun 21, 2013

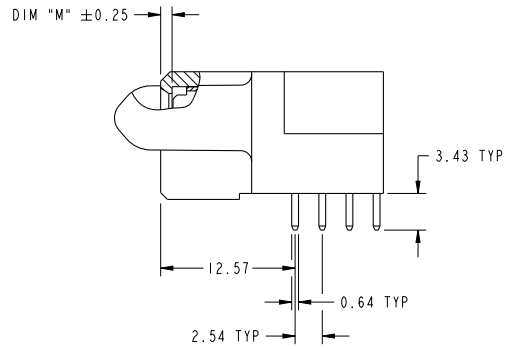


Copyright FCI.

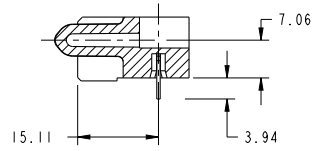
PRODUCT NUMBER
51771-026...
NOTE 3



BROKEN-OUT SECTION A-A
SCALE 2:1



BROKEN-OUT SECTION B-B
SCALE 2:1



SECTION C-C

dr	X Q Wang	2012/08/10	projection	MM	size	A4	scale	1:1
eng	Jackie Huang	2013/06/21			ecn no	-	rel level	
chr	-	-			product family	PwrBlade	Released	
appr	Pei-Ming Zheng	2013/06/21				cat. no.	16S+5P	rev
www.fci.com			R/A SOLDER RECEPTACLE			cat. no.	51771-026	A
			Product - Customer Drw			sheet 2 of 4		

Part File : REC - 2009-06-09

PDS: Rev :A

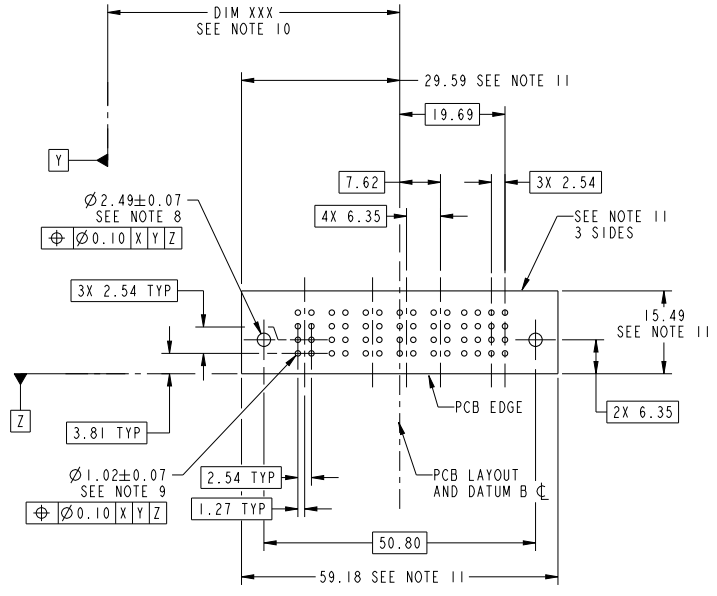
STATUS:Released

Printed: Jun 21, 2013



Copyright FCI.

PRODUCT NUMBER
51771-026_
NOTE 3



RECOMMENDED PCB LAYOUT

dr	X Q Wang	2012/08/10	projection	MM	size	A4	scale	1:1
eng	Jackie Huang	2013/06/21			ecn no	-	rel level	Released
chr	-	-			product family	PwrBlade	rev	A
appr	Pei-Ming Zheng	2013/06/21	www.fci.com		title	16S+5P R/A SOLDER RECEPTACLE		cat. no.
					dwg no	51771-026		Product - Customer Drw
					sheet 3 of 4		STATUS:Released	

Print File : REC - 2013-06-21



Copyright FCI.

PRODUCT NUMBER
51771-026_
NOTE 3

NOTES:

1. DIMENSIONS AND TOLERANCES ARE IN ACCORDANCE WITH ASME Y14.5M, 1994 UNLESS OTHERWISE SPECIFIED.

CONNECTOR NOTES:

- ②. HOUSING MATERIAL: UL 94 V-0 GLASS FILLED HIGH-TEMP THERMOPLASTIC
POWER CONTACT MATERIAL: COPPER ALLOY
SIGNAL PIN MATERIAL: COPPER ALLOY
- 3. SEE ITEM 5 & 6 IN PRINT 10064183 FOR PLATING SPEC OF 51771-026 AND 51771-026LF RESPECTIVELY.
- ④. MANUFACTURER'S NAME, DATE CODE AND OPTIONAL P/N TO APPEAR ON THIS SURFACE. THE MARK CAN BE OMITTED IF THERE IS NOT ENOUGH SPACE ON THIS SURFACE.
- 5. PRODUCT SPECIFICATION GS-12-149.
APPLICATION SPECIFICATION BUS-20-067.
- 6. PACKAGED IN TRAYS.

PCB NOTES:

- 7. ALL HOLE DIAMETERS ARE FINISHED HOLE SIZE.
- ⑧. MOUNTING HOLES, WHERE APPLICABLE, ARE UNPLATED.
- ⑨. $\varnothing 1.151 \pm 0.025$ DRILLED HOLES PLATED WITH 0.008 MIN SnPb OR Sn OVER 0.03 TO 0.08 Cu PLATING TO ACHIEVE $\varnothing 1.02 \pm .07$ HOLE.
- ⑩. "DIM XXX" TO BE DETERMINED BY THE CUSTOMER.
- ⑪. CONNECTOR KEEP-OUT ZONE.
- 12. THE VOID CORING IN BETWEEN POWER MODULES, SIGNAL MODULES AND END MODULES ARE OPTIONAL AND THE SHAPE MAY BE DIFFERENT FOR OPTIMIZE THE MOLDING PROCESS. THE VOID CORING WILL NOT EFFECT TO PRODUCT FUNCTION.



Copyright FCI.

dr	X Q Wang	2012/08/10	projection	MM	size	A4	scale	1:1	
eng	Jackie Huang	2013/06/21			ecn no	-	rel level		Released
chr	-	-	product family	PwrBlade					
appr	Pei-Ming Zheng	2013/06/21			rel level	Released			
		title	16S+5P R/A SOLDER RECEPTACLE		dwg no	51771-026		rev	A
www.fci.com		cat. no.	Product - Customer Drw			sheet 4 of 4			

Print File - REC - 2009-06-09