

Excellent Integrated System Limited

Stocking Distributor

Click to view price, real time Inventory, Delivery & Lifecycle Information:

[FCI](#)

[51772-005LF](#)

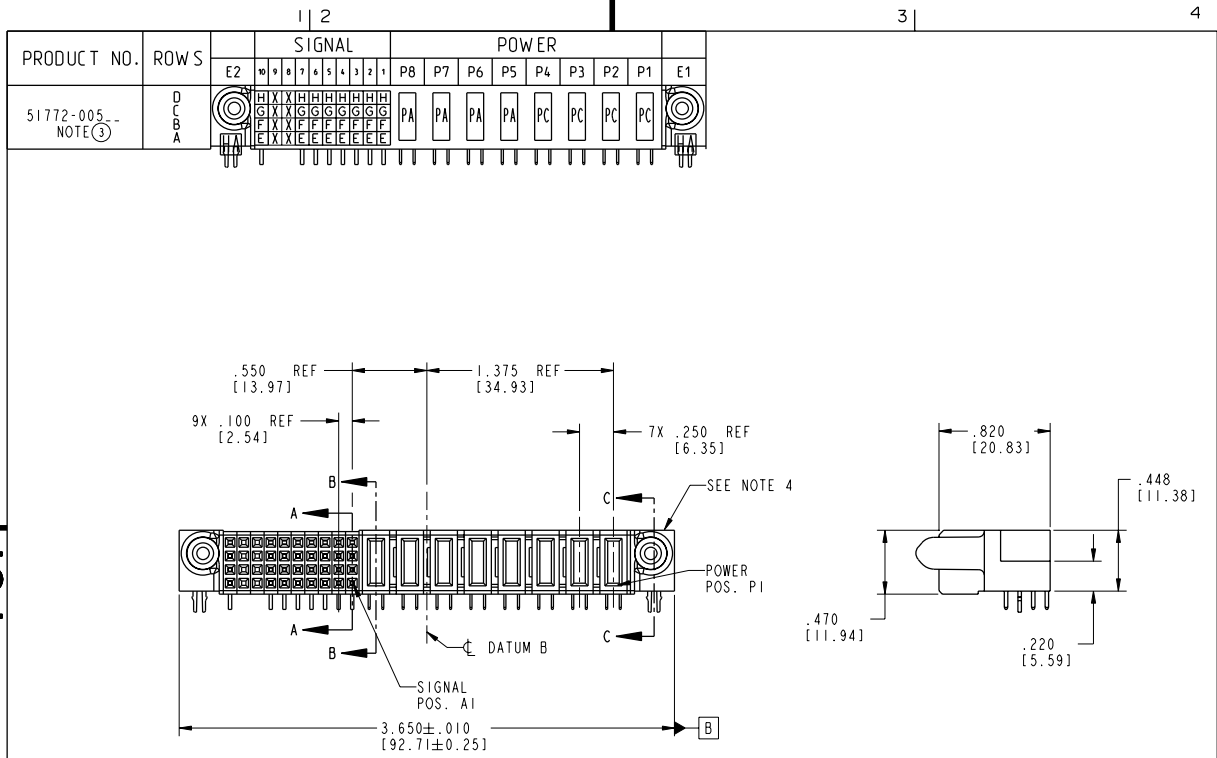
For any questions, you can email us directly:

sales@integrated-circuit.com

Tous droits strictement réservés. Reproduction ou communication à des tiers interdite sous quelque forme que ce soit sans autorisation écrite du propriétaire. Propriété de c FCI. Droits de reproduction FCI.



All rights strictly reserved. Reproduction or issue to third parties in any form whatever is not permitted without written authority from the proprietor. Property of FCI. Copyright FCI.



CODE	DIM "M" MATING LENGTH	CONTACT TYPE
PA	.042 [1.07]	POWER
PC	.092 [2.34]	POWER
H	N/A [N/A]	SIGNAL
G	N/A [N/A]	SIGNAL
F	N/A [N/A]	SIGNAL
E	N/A [N/A]	SIGNAL
HA	N/A [N/A]	HOLD-DOWN
X	OMITTED	OMITTED

mat'l code		SEE NOTE 2	tolerances unless otherwise specified	CUSTOMER	www.fciconnect.com
thr	ecm no.	dr	date	COPY	
A	D606-0083	RYAN	03/02/06	linear	$.XX \pm .01/0.X \pm 0.3$ $.XXY \pm .005/0.XY \pm 0.13$ $.XXYZ \pm .0020/0.XYZ \pm 0.051$ $0^\circ \pm 7^\circ$
sheet index		revision sheet	A A A A A	projection	title 8P + 40S R/A SOLDER RECEPTACLE
sheet index		revision sheet	1 2 3 4	INCH/MM	product family PwrBlade code 213 size dwg no 51772-005 sheet 1 of 4
sheet index		revision sheet	1 2 3 4	scale 1:1	cage code 22526

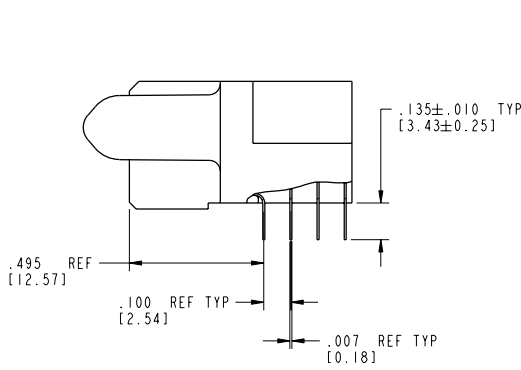
Pro/E

Tous droits strictement réservés. Reproduction ou communication à des tiers interdite sous quelque forme que ce soit sans autorisation écrite du propriétaire. Propriété de c FCI. Droits de reproduction FCI.

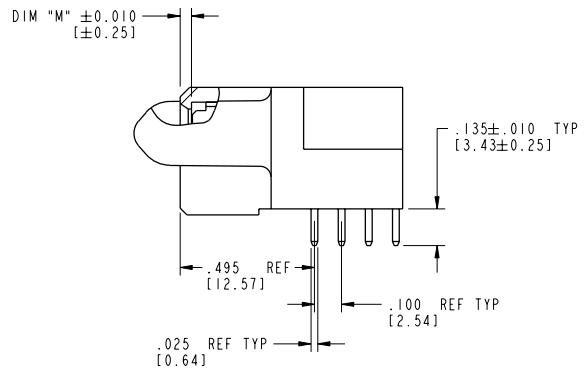
FCI

All rights strictly reserved. Reproduction or issue to third parties in any form whatever is not permitted without written authority from the proprietor. Property of FCI. Copyright FCI.

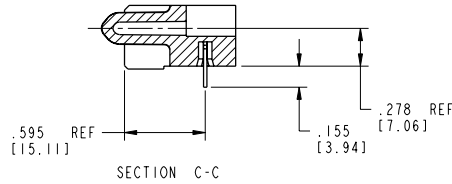
PRODUCT NUMBER
51772-005 -
NOTE(3)



BROKEN-OUT SECTION A-A
SCALE 2:1



BROKEN-OUT SECTION B-B
SCALE 2:1



SECTION C-C

mat'l code		SEE NOTE 2		tolerances unless otherwise specified		CUSTOMER		FCI		www.fciconnect.com	
itr	ecm no.	dr	date	linear	.XX ± .01 / 0.X ± 0.3	projection	COPY	title	8P + 40S		
A				angles	.XXV ± .005 / 0.XV ± 0.13	INCH/MM		R/A SOLDER RECEPTACLE	PwrBlade		
				dr	RYAN YUAN 03/02/06	scale	1:1	product family	code 213		
				eng	SALLY LUO 03/02/06	size	A	dwg no	sheet 2 of 4		
				chr	BEER FU 03/02/06			51772-005			
				appd	JOSEPH HSIA 03/02/06						
sheet index	revision sheet										

Pro/E

cage code 22526

Tous droits strictement réservés. Reproduction ou communication à des tiers interdite sans aucune forme que ce soit sans autorisation écrite du propriétaire. Propriété de c FCI. Droits de reproduction FCI.



All rights strictly reserved. Reproduction or issue to third parties in any form whatever is not permitted without written authority from the proprietor. Property of FCI. Copyright FCI.

PRODUCT NUMBER
51772-005 -
NOTE (3)

NOTES:

1. DIMENSIONS AND TOLERANCES ARE IN ACCORDANCE WITH ASME Y14.5M, 1994 UNLESS OTHERWISE SPECIFIED.

CONNECTOR NOTES:

- (2.) HOUSING MATERIAL: UL 94 V-0 GLASS FILLED HIGH-TEMP THERMOPLASTIC
POWER CONTACT MATERIAL: COPPER ALLOY
SIGNAL PIN MATERIAL: COPPER ALLOY
- (3.) PLATING:
SEE PRINT 10064183 FOR PLATING SPEC OF 51772-005; 51772-005LF
- (4.) MANUFACTURER'S NAME, P/N, AND DATE CODE TO APPEAR ON THIS SURFACE.
- 5. PRODUCT SPECIFICATION GS-12-149.
APPLICATION SPECIFICATION BUS-20-067.
- 6. PACKAGED IN TRAYS.

PCB NOTES:

- 7. ALL HOLE DIAMETERS ARE FINISHED HOLE SIZE.
- (8.) MOUNTING HOLES, WHERE APPLICABLE, ARE UNPLATED.
- (9.) $\varnothing .0453 \pm .0010$ [1.151 ± 0.025] DRILLED HOLES PLATED WITH
.0003 [0.008] MIN SnPb OVER .001 [0.03]
TO .003 [0.08] Cu PLATING TO ACHIEVE
 $\varnothing .040 \pm .003$ [1.02 ± .07] HOLE.
- (10.) "DIM XXX" TO BE DETERMINED BY THE CUSTOMER.
- (11.) CONNECTOR KEEP-OUT ZONE.

mat'l code		SEE NOTE 2		tolerances unless otherwise specified		CUSTOMER		www.fciconnect.com	
itr	ecm no.	dr	date	linear	projection	COPY		title	
A				.XX ± .01 / 0.X ± 0.3				8P + 40S	
				.XXV ± .005 / 0.XV ± 0.13				R/A SOLDER RECEPTACLE	
				.XXV ± .0020 / 0.XV ± 0.051				PwrBlade	
				angles	$0^\circ \pm 7^\circ$	INCH/MM		code 213	
		dr	RYAN YUAN	03/02/06		scale 1:1		sheet 4 of 4	
		eng	SALLY LUO	03/02/06					
		chr	BEER FU	03/02/06					
		appd	JOSEPH HSIA	03/02/06					
sheet index	revision sheet								

cage code 22526

Pro/E