

Excellent Integrated System Limited

Stocking Distributor

Click to view price, real time Inventory, Delivery & Lifecycle Information:

[FCI](#)

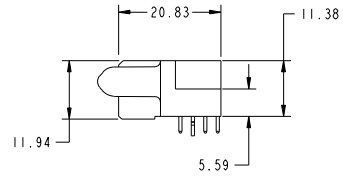
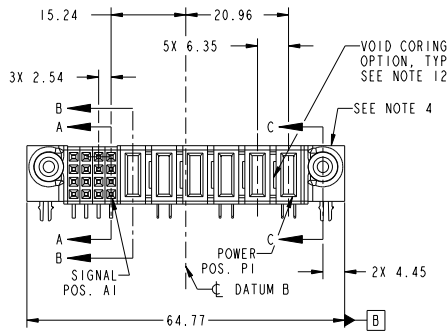
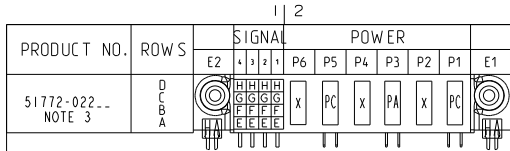
[51772-022LF](#)

For any questions, you can email us directly:

sales@integrated-circuit.com

Tous droits strictement réservés. Reproduction ou communication à des tiers interdite sous quelque forme que ce soit sans autorisation écrite du propriétaire. Propriété de FCI. Droits de reproduction FCI.

All rights strictly reserved. Reproduction or issue to third parties in any form whatever is not permitted without written authority from the proprietor. Property of FCI. Copyright FCI.



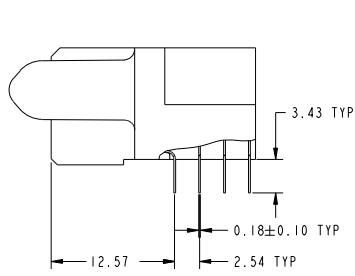
CODE	DIM "M" MATING LENGTH	CONTACT TYPE
PA	[1.07]	POWER
H	[N/A]	SIGNAL
G	[N/A]	SIGNAL
F	[N/A]	SIGNAL
E	[N/A]	SIGNAL
HA	[N/A]	HOLD-DOWN
PC	[2.34]	POWER
X	OMITTED	OMITTED

mat'l code				SEE NOTE 2		tolerances unless otherwise specified		CUSTOMER	
lfr	ecn no.	dr	date			0.X ±0.5		COPY	FCI
A	DG10-0446	XQ	12/11/10	linear		0.XX ±0.25	projection	www.fciconnect.com	
				angles		0.XXX ±0.1		title	6P + 16S
				dr	XQ WANG	0° ±2°			R/A SOLDER RECEPTACLE
				enrg	JEROME CHEN	12/04/10	MM	product family	PwrBlade
				chr	PM ZHENG	12/04/10	scale	size	code
				oppd	JOSEPH HSIA	12/04/10	1:1	dwg no	213
sheet index	revision sheet	A 1	A 2	A 3	A 4			51772-022	1 of 4
								code	22526

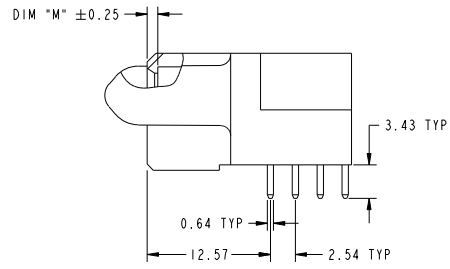
Tous droits strictement réservés. Reproduction ou communication à des tiers interdite sous quelque forme que ce soit sans autorisation écrite du propriétaire. Propriété de FCI. Droits de reproduction FCI.

All rights strictly reserved. Reproduction or issue to third parties in any form whatever is not permitted without written authority from the proprietor. Property of FCI. Copyright FCI.

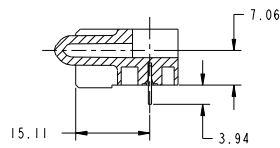
PRODUCT NUMBER
51772-022-
NOTE 3



BROKEN-OUT SECTION A-A
SCALE 2:1



BROKEN-OUT SECTION B-B
SCALE 2:1



SECTION C-C

mat'l code				SEE NOTE 2		tolerances unless otherwise specified		CUSTOMER	
ltr	ecm no.	dr	date	linear	0.X ± 0.5	projection	www.fciconnect.com		
A				angles	0.XX ± 0.25	MM	6P + 16S		
				dr	0.XXX ± 0.1	scale	R/A SOLDER RECEPTACLE		
				engr	0° ± 2°	1:1	product family PwrBlade code		
				chr	XQ WANG 12/04/10		size 213		
				opnd	JEROME CHEN 12/04/10		dwg no 51772-022 sheet		
sheet index	revision sheet				PN ZHENG 12/04/10		2 of 4		
					JOSEPH HSIA 12/04/10		cage code 22526		

Pro/E

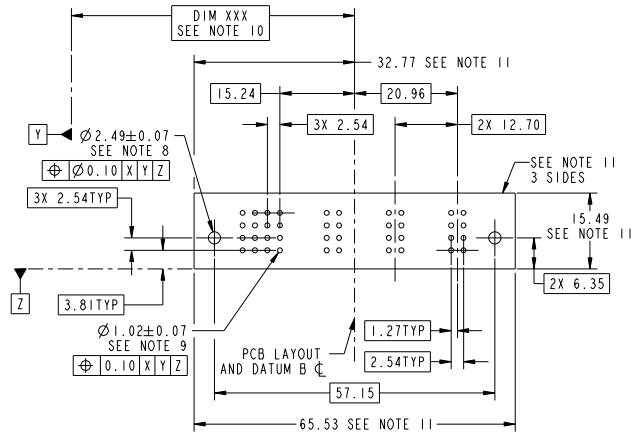
cage code 22526

Tous droits strictement réservés. Reproduction ou communication à des tiers interdite sous quelque forme que ce soit sans autorisation écrite du propriétaire. Propriété de FCI. Droits de reproduction FCI.



All rights strictly reserved. Reproduction or issue to third parties in any form whatever is not permitted without written authority from the proprietor. Property of FCI. Copyright FCI.

PRODUCT NUMBER
51772-022-
NOTE 3



RECOMMENDED PCB LAYOUT

mat'l code		SEE NOTE		tolerances unless otherwise specified		CUSTOMER	
ltr	ecm no.	dr	date	linear	0.X ± 0.5	COPY	www.fciconnect.com
A				angles	0.XX ± 0.25	projection	6P + 16S
					0.XXX ± 0.1	MM	R/A SOLDER RECEPTACLE
				dr	0° ± 2°	scale	product family PwrBlade code
				enr	XQ WANG 12/04/10	1:1	size dwg no
				chr	JEROME CHEN 12/04/10		A 51772-022
				oppd	PM ZHENG 12/04/10		213 sheet
sheet index	revision sheet				JOSEPH HSIA 12/04/10		3 of 4

Pro/E

cage code 22526

Tous droits strictement réservés. Reproduction ou communication à des tiers interdite sous quelque forme que ce soit sans autorisation écrite du propriétaire. Propriété de FCI. Droits de reproduction FCI.

All rights strictly reserved. Reproduction or issue to third parties in any form whatever is not permitted without written authority from the proprietor. Property of FCI. Copyright FCI.

1 2		3 4																																																																																											
<p>PRODUCT NUMBER 51772-022- NOTE 3</p>																																																																																													
<p>NOTES:</p> <p>1. DIMENSIONS AND TOLERANCES ARE IN ACCORDANCE WITH ASME Y14.5M, 1994 UNLESS OTHERWISE SPECIFIED.</p> <p>CONNECTOR NOTES:</p> <p>② HOUSING MATERIAL: UL 94 V-0 GLASS FILLED HIGH-TEMP THERMOPLASTIC POWER CONTACT MATERIAL: COPPER ALLOY SIGNAL PIN MATERIAL: COPPER ALLOY</p> <p>3. SEE ITEM 5 & 6 IN PRINT 10064183 FOR PLATING SPEC OF 51772-022 AND 51772-022LF RESPECTIVELY.</p> <p>④ MANUFACTURER'S NAME, DATE CODE AND OPTIONAL P/N TO APPEAR ON THIS SURFACE. THE P/N CAN BE OMITTED IF THERE IS NOT ENOUGH SPACE ON THIS SURFACE.</p> <p>5. PRODUCT SPECIFICATION GS-12-149. APPLICATION SPECIFICATION BUS-20-067.</p> <p>6. PACKAGED IN TRAYS.</p> <p>PCB NOTES:</p> <p>7. ALL HOLE DIAMETERS ARE FINISHED HOLE SIZE.</p> <p>⑧ MOUNTING HOLES, WHERE APPLICABLE, ARE UNPLATED.</p> <p>⑨ $\varnothing 1.151 \pm 0.025$ DRILLED HOLES PLATED WITH 0.008 MIN SnPb OR Sn OVER 0.03 TO 0.08 Cu PLATING TO ACHIEVE $\varnothing 1.02 \pm .07$ HOLE.</p> <p>⑩ "DIM XXX" TO BE DETERMINED BY THE CUSTOMER.</p> <p>⑪ CONNECTOR KEEP-OUT ZONE.</p> <p>12. THE VOID CORING IN BETWEEN POWER MODULES, SIGNAL MODULES AND END MODULES ARE OPTIONAL AND THE SHAPE MAY BE DIFFERENT FOR OPTIMIZE THE MOLDING PROCESS. THE VOID CORING WILL NOT EFFECT TO PRODUCT FUNCTION.</p>																																																																																													
<table border="1" style="width: 100%; border-collapse: collapse;"> <tr> <td colspan="2">mat'l code</td> <td>SEE NOTE 2</td> <td>tolerances unless otherwise specified</td> <td>CUSTOMER</td> <td colspan="2" style="text-align: center;"> www.fciconnect.com</td> </tr> <tr> <td>ltr</td> <td>ecm no.</td> <td>dr</td> <td>date</td> <td>linear</td> <td>0.X ± 0.5</td> <td>COPY</td> </tr> <tr> <td>A</td> <td></td> <td></td> <td></td> <td>linear</td> <td>0.XX ± 0.25</td> <td>projection</td> </tr> <tr> <td></td> <td></td> <td></td> <td></td> <td>angles</td> <td>0.XXX ± 0.1</td> <td></td> </tr> <tr> <td></td> <td></td> <td></td> <td></td> <td>dr</td> <td>0° ± 2°</td> <td>MM</td> </tr> <tr> <td></td> <td></td> <td></td> <td></td> <td>engr</td> <td>XQ WANG 12/04/10</td> <td>product family</td> </tr> <tr> <td></td> <td></td> <td></td> <td></td> <td>chr</td> <td>JEROME CHEN 12/04/10</td> <td>PwrBlade</td> </tr> <tr> <td></td> <td></td> <td></td> <td></td> <td>opnd</td> <td>PW ZHENG 12/04/10</td> <td>code</td> </tr> <tr> <td></td> <td></td> <td></td> <td></td> <td></td> <td>JOSEPH HSIA 12/04/10</td> <td>size</td> </tr> <tr> <td>sheet index</td> <td>revision sheet</td> <td></td> <td></td> <td></td> <td></td> <td>dwg no</td> </tr> <tr> <td></td> <td></td> <td></td> <td></td> <td></td> <td></td> <td>A 51772-022</td> </tr> <tr> <td></td> <td></td> <td></td> <td></td> <td></td> <td></td> <td>213 sheet</td> </tr> <tr> <td></td> <td></td> <td></td> <td></td> <td></td> <td></td> <td>4 of 4</td> </tr> </table>			mat'l code		SEE NOTE 2	tolerances unless otherwise specified	CUSTOMER	www.fciconnect.com		ltr	ecm no.	dr	date	linear	0.X ± 0.5	COPY	A				linear	0.XX ± 0.25	projection					angles	0.XXX ± 0.1						dr	0° ± 2°	MM					engr	XQ WANG 12/04/10	product family					chr	JEROME CHEN 12/04/10	PwrBlade					opnd	PW ZHENG 12/04/10	code						JOSEPH HSIA 12/04/10	size	sheet index	revision sheet					dwg no							A 51772-022							213 sheet							4 of 4
mat'l code		SEE NOTE 2	tolerances unless otherwise specified	CUSTOMER	www.fciconnect.com																																																																																								
ltr	ecm no.	dr	date	linear	0.X ± 0.5	COPY																																																																																							
A				linear	0.XX ± 0.25	projection																																																																																							
				angles	0.XXX ± 0.1																																																																																								
				dr	0° ± 2°	MM																																																																																							
				engr	XQ WANG 12/04/10	product family																																																																																							
				chr	JEROME CHEN 12/04/10	PwrBlade																																																																																							
				opnd	PW ZHENG 12/04/10	code																																																																																							
					JOSEPH HSIA 12/04/10	size																																																																																							
sheet index	revision sheet					dwg no																																																																																							
						A 51772-022																																																																																							
						213 sheet																																																																																							
						4 of 4																																																																																							
<table border="1" style="width: 100%; border-collapse: collapse;"> <tr> <td>scale</td> <td>1:1</td> <td></td> </tr> <tr> <td>cage code</td> <td>22526</td> <td></td> </tr> </table>			scale	1:1		cage code	22526																																																																																						
scale	1:1																																																																																												
cage code	22526																																																																																												