

## Excellent Integrated System Limited

Stocking Distributor

Click to view price, real time Inventory, Delivery & Lifecycle Information:

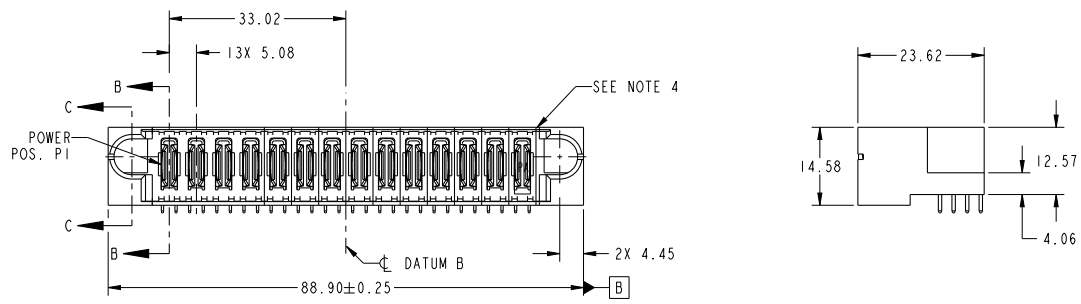
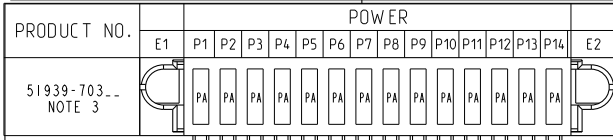
[FCI](#)

[51939-703LF](#)

For any questions, you can email us directly:

[sales@integrated-circuit.com](mailto:sales@integrated-circuit.com)

1 2 3 4

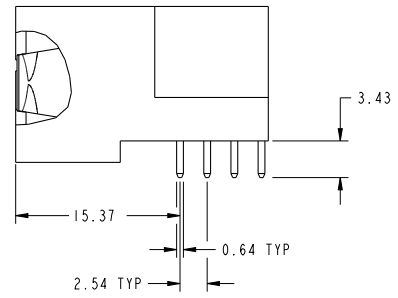


Copyright FCI.

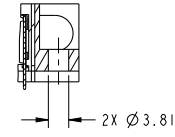
spec ref *		dr	Luo Weller	2012/09/04	projection	MM	size	scale
tolerance std	TOLERANCES UNLESS OTHERWISE SPECIFIED	eng	Luo Weller	2012/09/18			A4	1:1
SEE NOTE		chr	-	-		ecn no	-	
surface		linear	appr	Pei-Ming Zheng	2012/09/18	product family	PwrBlade	rel level
	0.X	±0.5		title 14DCP RIGHT ANGLE SOLDER HEADER cat. no. -	Product - Customer Drw	dwg no 51939-703	rev A	
	0.XX	±0.25						
	0.XXX	±0.1						
	angular	0°	±2°	www.fci.com	sheet 1 of 4			

Print File - REV C - 2009-08-09

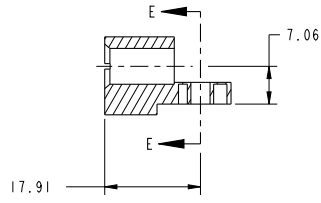
PRODUCT NUMBER  
51939-703...  
NOTE: 3



SECTION B-B  
SCALE 2:1



PARTIAL SECTION E-E



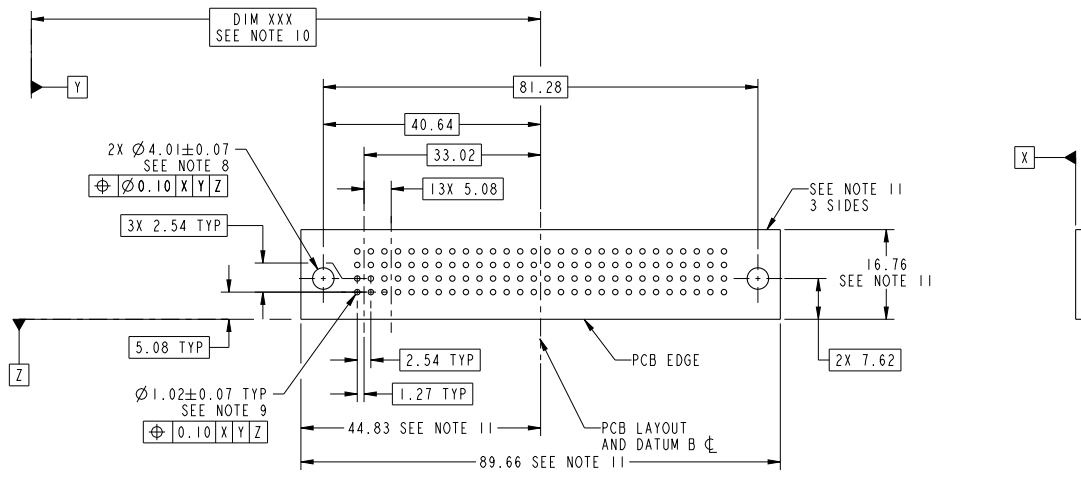
SECTION C-C

dr	Luo Weller	2012/09/04	projection	MM	size	A4	scale	1:1
eng	Luo Weller	2012/09/18			ecn no	-	rel level	
chr	-	-			product family	PwrBlade	Released	
appr	Pei-Ming Zheng	2012/09/18				title	14DCP	
www.fci.com			cat. no.			-		Product - Customer Drw
						dwg no	51939-703	
						rev	A	
						sheet	2 of 4	



Copyright FCI.

PRODUCT NUMBER  
51939-703...  
NOTE: 3



RECOMMENDED PCB LAYOUT

dr	Luo Weller	2012/09/04	projection	MM	size	A4	scale	1:1
eng	Luo Weller	2012/09/18			ecn no	-	rel level	Released
chr	-	-			product family	PwrBlade		
appr	Pei-Ming Zheng	2012/09/18			title	14DCP		rev
www.fci.com			cat. no.		-		Product - Customer Drw	sheet 3 of 4



Copyright FCI.

PRODUCT NUMBER

51939-703\_...  
NOTE: 3

NOTES:

1. DIMENSIONS AND TOLERANCES ARE IN ACCORDANCE WITH ASME Y14.5M, 1994 UNLESS OTHERWISE SPECIFIED.

CONNECTOR NOTES:

- 2. HOUSING MATERIAL: UL 94 V-0 GLASS FILLED HIGH-TEMP THERMOPLASTIC  
POWER CONTACT MATERIAL: COPPER ALLOY  
SIGNAL PIN MATERIAL: COPPER ALLOY
- 3. SEE ITEM 1 & 2 IN PRINT 10064183 FOR PLATING SPEC OF 51939-703 AND 51939-703LF RESPECTIVELY.
- 4. MANUFACTURER'S NAME, DATE CODE AND OPTIONAL P/N TO APPEAR ON THIS SURFACE. THE P/N CAN BE OMITTED IF THERE IS NOT ENOUGH SPACE ON THIS SURFACE.
- 5. PRODUCT SPECIFICATION GS-12-149.  
APPLICATION SPECIFICATION BUS-20-067.
- 6. PACKAGED IN TRAYS.

PCB NOTES:

- 7. ALL HOLE DIAMETERS ARE FINISHED HOLE SIZE.
- 8. MOUNTING HOLES, WHERE APPLICABLE, ARE UNPLATED.
- 9.  $\varnothing 1.151 \pm 0.025$  DRILLED HOLES PLATED WITH 0.008 MIN SnPb OR Sn OVER 0.03 TO 0.08 Cu PLATING TO ACHIEVE  $\varnothing 1.02 \pm 0.07$  HOLE.
- 10. "DIM XXX" TO BE DETERMINED BY THE CUSTOMER.
- 11. CONNECTOR KEEP-OUT ZONE.

dr	Luo Weller	2012/09/04	projection	MM	size	A4	scale	1:1
eng	Luo Weller	2012/09/18			ecn no	-	rel level	
chr	-	-	product family		PwrBlade	Released		
appr	Pei-Ming Zheng	2012/09/18	www.fci.com		title	14DCP RIGHT ANGLE SOLDER HEADER		rev
cat. no.		-	Product - Customer Drw		dwg no	51939-703		A
sheet 4 of 4								

Print File - REV C - 2009-08-09



Copyright FCI.