

Excellent Integrated System Limited

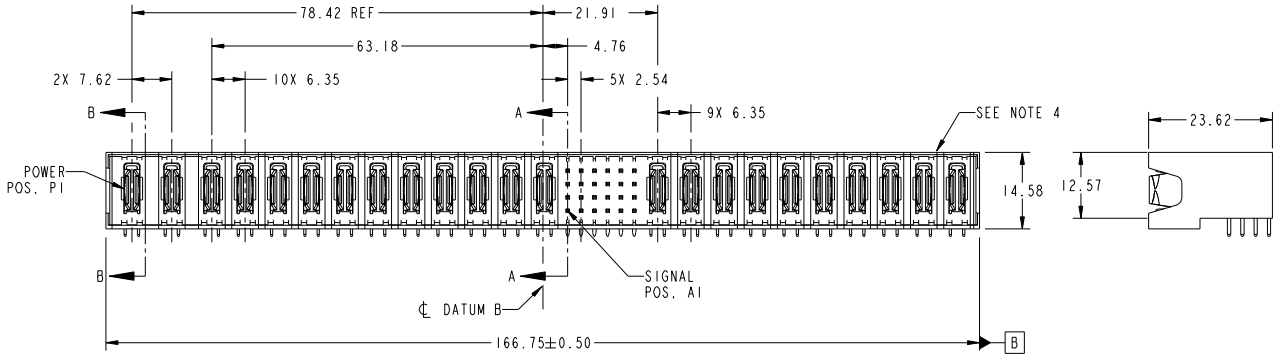
Stocking Distributor

Click to view price, real time Inventory, Delivery & Lifecycle Information:

[FCI](#)
[51939-712LF](#)

For any questions, you can email us directly:
sales@integrated-circuit.com

PRODUCT NO.	ROWS	POWER												SIGNAL				POWER									
		P1	P2	P3	P4	P5	P6	P7	P8	P9	P10	P11	P12	P13	1	2	3	4	P14	P15	P16	P17	P18	P19	P20	P21	P22
51939-712-- NOTE 3	D C B A	PA	PA	PA	PA	PA	PA	PA	PA	PA	PA	PA	PA	UUUUUU	UUUUUU	UUUUUU	UUUUUU	PA	PA	PA	PA	PA	PA	PA	PA	PA	PA

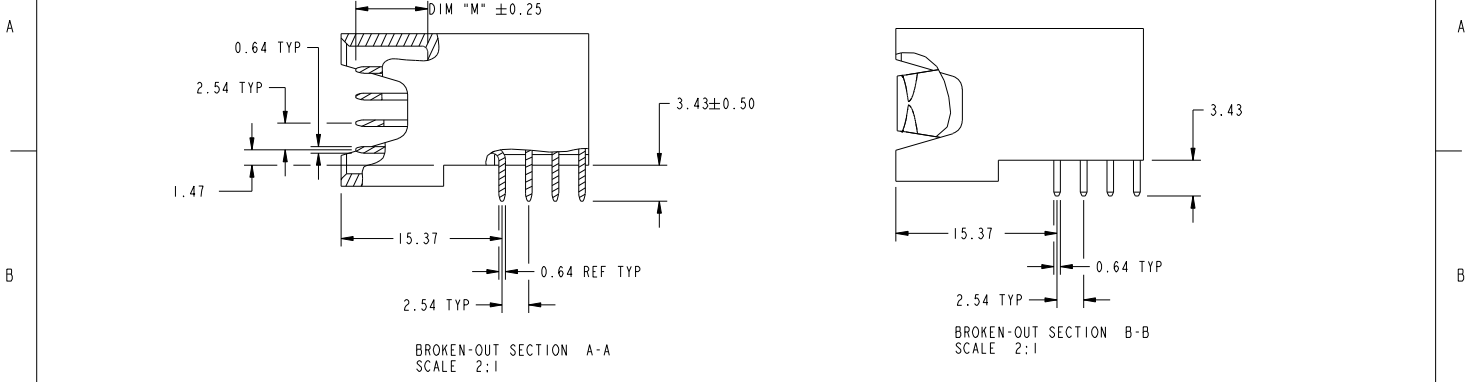


CODE	DIM "M" MATING LENGTH	CONTACT TYPE
U	[6.86]	SIGNAL
T	[6.86]	SIGNAL
S	[6.86]	SIGNAL
R	[6.86]	SIGNAL
PA	[N/A]	POWER

spec ref	*	dr	Weller Luo	2012-11-21	projection	MM	size	A4	scale	1:1														
tolerance std	TOLERANCES UNLESS OTHERWISE SPECIFIED	eng	Weller Luo	2012-11-27			ecn no	DG06-XXXX																
SEE NOTE		chr	-	-			rel level	Released																
surface	<table border="1"> <tr> <td>linear</td> <td>0.X</td> <td>±0.5</td> </tr> <tr> <td></td> <td>0.XX</td> <td>±0.25</td> </tr> <tr> <td></td> <td>0.XXX</td> <td>±0.1</td> </tr> <tr> <td>angular</td> <td>0°</td> <td>±2°</td> </tr> </table>	linear	0.X	±0.5		0.XX	±0.25		0.XXX	±0.1	angular	0°	±2°	appr	PM Zheng	2012-11-27	product family	PwrBlade			rel level	Released		
linear	0.X	±0.5																						
	0.XX	±0.25																						
	0.XXX	±0.1																						
angular	0°	±2°																						
					part no	3ACP+10P+24S+9P			rev	A														
					cat. no.	-			Product - Customer Drw	sheet 1 of 4														

Copyright FCI.

PRODUCT NUMBER
51939-712...
NOTE: 3



Copyright FCI.

dr	Weller Luo	2012-11-21	projection	MM	size	A4	scale	1:1
eng	Weller Luo	2012-11-27			ecn no	DG06-XXXX		
chr	-	-			rel level	Released		
appr	PM Zheng	2012-11-27			product family	PwrBlade		
		title			dwg no		rev	
www.fci.com		3ACP+10P+24S+9P			51939-712		A	
cat. no.		-			Product - Customer Drw		sheet 2 of 4	

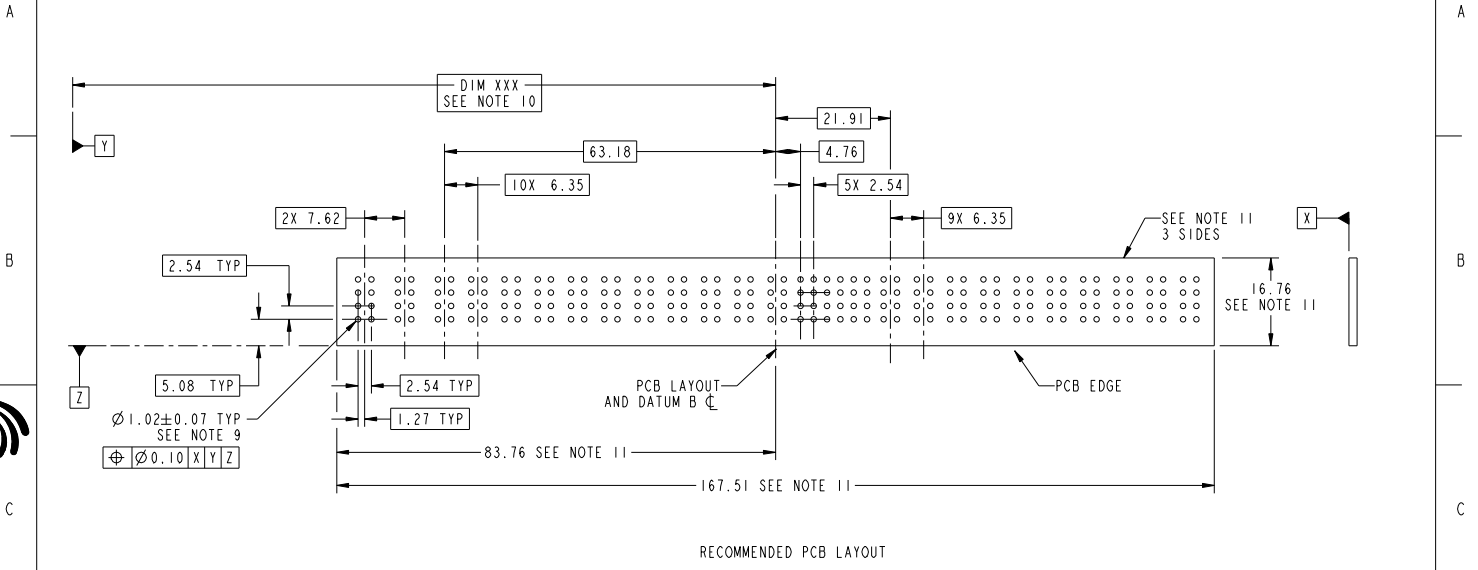
Part File - REV C - 2009-06-09

PDS: Rev :A

STATUS:Released

Printed: Dec 01, 2012

PRODUCT NUMBER
51939-712...
NOTE: 3



Copyright FCI.

dr	Weller Luo	2012-11-21	projection	MM	size	A4	scale	1:1
eng	Weller Luo	2012-11-27			ecn no	DG06-XXXX		
chr	-	-			rel level	Released		
appr	PM Zheng	2012-11-27	product family	PwrBlade	rel level	Released		
	title	3ACP+10P+24S+9P			dwg no	51939-712		rev
		RIGHT ANGLE SOLDER HEADER						A
www.fci.com	cat. no.	-	Product - Customer Drw		sheet 3 of 4			

Prod File - REV C - 2009-06-09

PRODUCT NUMBER

51939-712--
NOTE: 3

NOTES:

1. DIMENSIONS AND TOLERANCES ARE IN ACCORDANCE WITH ASME Y14.5M, 1994 UNLESS OTHERWISE SPECIFIED.

CONNECTOR NOTES:

2. HOUSING MATERIAL: UL 94 V-0 GLASS FILLED HIGH-TEMP THERMOPLASTIC
POWER CONTACT MATERIAL: COPPER ALLOY
SIGNAL PIN MATERIAL: COPPER ALLOY

3. SEE ITEM 1 & 2 IN PRINT 10064183 FOR PLATING SPEC OF 51939-712 AND 51939-712LF RESPECTIVELY.

4. MANUFACTURER'S NAME, DATE CODE AND OPTIONAL P/N TO APPEAR ON THIS SURFACE. THE P/N CAN BE OMITTED IF THERE IS NOT ENOUGH SPACE ON THIS SURFACE.

5. PRODUCT SPECIFICATION GS-12-149.
APPLICATION SPECIFICATION BUS-20-067.

6. PACKAGED IN TRAYS.

PCB NOTES:

7. ALL HOLE DIAMETERS ARE FINISHED HOLE SIZE.

8. MOUNTING HOLES, WHERE APPLICABLE, ARE UNPLATED.

9. $\varnothing 1.151 \pm 0.025$ DRILLED HOLES PLATED WITH
0.008 MIN SnPb OR Sn OVER 0.03
TO 0.08 Cu PLATING TO ACHIEVE
 $\varnothing 1.02 \pm 0.07$ HOLE.

10. "DIM XXX" TO BE DETERMINED BY THE CUSTOMER.

11. CONNECTOR KEEP-OUT ZONE.



Copyright FCI.

dr	Weller Luo	2012-11-21	projection		MM	size	A4	scale	1:1
eng	Weller Luo	2012-11-27	chr			-	ecn no	DG06-XXXX	
appr	PM Zheng	2012-11-27	product family	PwrBlade		rel level	Released		
		3ACP+10P+24S+9P		RIGHT ANGLE SOLDER HEADER	51939-712	A			
www.fci.com	cat. no.	-	Product - Customer Drw			sheet 4 of 4			

Prod File - REV C - 2009-06-09