

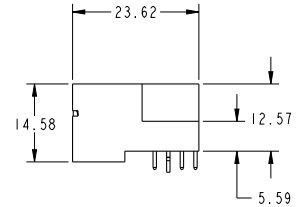
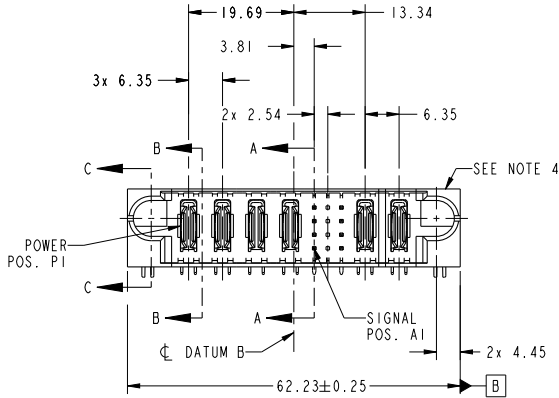
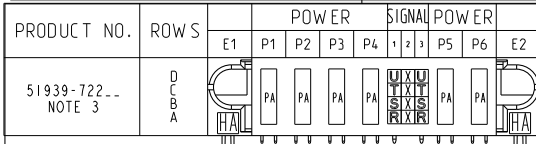
Excellent Integrated System Limited

Stocking Distributor

Click to view price, real time Inventory, Delivery & Lifecycle Information:

[FCI](#)
[51939-722LF](#)

For any questions, you can email us directly:
sales@integrated-circuit.com



CODE	DIM "M" MATING LENGTH	CONTACT TYPE
U	[6.86]	SIGNAL
T	[6.86]	SIGNAL
S	[6.86]	SIGNAL
R	[6.86]	SIGNAL
PA	[N/A]	POWER
HA	[N/A]	HOLD-DOWN
X	OMITTED	OMITTED

spec ref	*	dr	Luo Weller	2012/1/12	projection	MM	size	A4	scale	1:1
tolerance std	TOLERANCES UNLESS OTHERWISE SPECIFIED	eng	Luo Weller	2012/12/20		product family	PwrBlade	ecn no	rel level	Released
SEE NOTE		chr	-	-						
surface	linear	appr	Pei-Ming Zheng	2012/12/20	4P+12S+2P		51939-722		rev	A
	0.X	±0.5		RIGHT ANGLE SOLDER HEADER		www.fci.com		cat. no.		-
	0.XX	±0.25		Product - Customer Drw		sheet 1 of 4				
	0.XXX	±0.1		PDS: Rev :A		STATUS:Released		Printed: Dec 20, 2012		
	angular	0°								

Print File : REV C - 2009-08-09

1

2

3

PDS: Rev :A

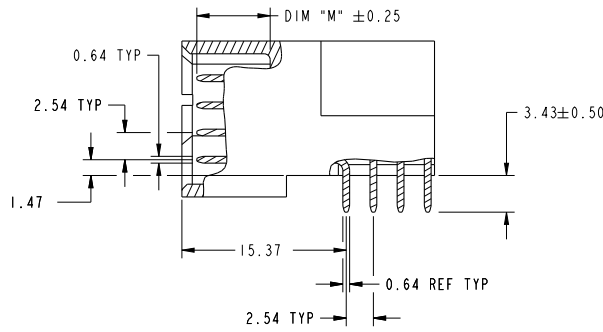
STATUS:Released

Printed: Dec 20, 2012

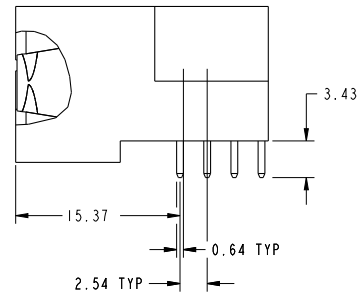


Copyright FCI.

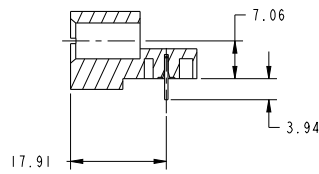
PRODUCT NUMBER
51939-722-
NOTE: 3



BROKEN-OUT SECTION A-A
SCALE 2:1



BROKEN-OUT SECTION B-B
SCALE 2:1



SECTION C-C

dr	Luo Weller	2012/1/12	projection	MM	size	A4	scale	1:1
eng	Luo Weller	2012/12/20			ecn no	-	rel level	
chr	-	-			product family	PwrBlade	Released	
appr	Pei-Ming Zheng	2012/12/20				dwg no	51939-722	rev
www.fci.com			title 4P+12S+2P RIGHT ANGLE SOLDER HEADER			cat. no. -		Product - Customer Drw
							sheet 2 of 4	

Print File - REV C - 2009-06-09

PDS: Rev :A

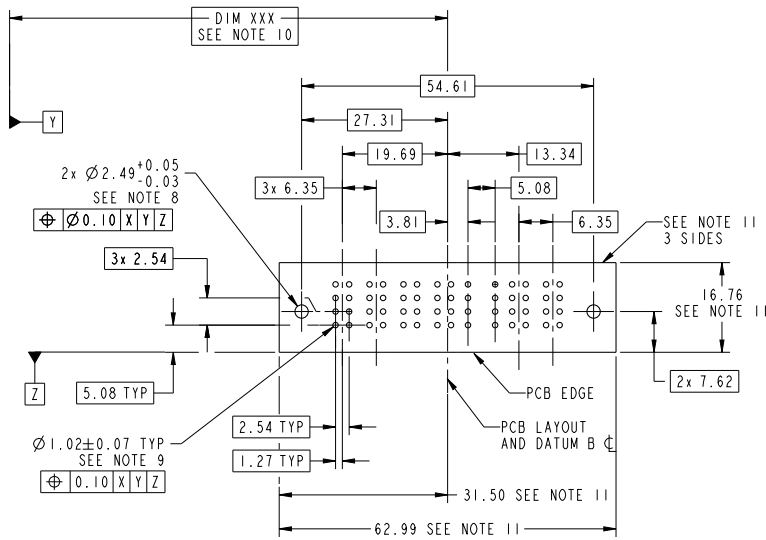
STATUS:Released

Printed: Dec 20, 2012



Copyright FCI.

PRODUCT NUMBER
51939-722-
NOTE: 3



RECOMMENDED PCB LAYOUT

dr	Luo Weller	2012/1/12	projection	MM	size	A4	scale	1:1
eng	Luo Weller	2012/1/20			ecn no	-	rel level	Released
chr	-	-	product family	PwrBlade		rel level	Released	
appr	Pei-Ming Zheng	2012/1/20	4P+12S+2P		dwg no	51939-722		rev
		RIGHT ANGLE SOLDER HEADER						A
www.fci.com		cat. no.	-		Product - Customer Drw		sheet 3 of 4	

Print File : REV C - 2009-08-09

1

2

3

PDS: Rev :A

STATUS:Released

Printed: Dec 20, 2012



Copyright FCI.

