

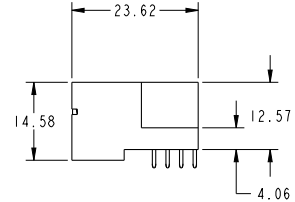
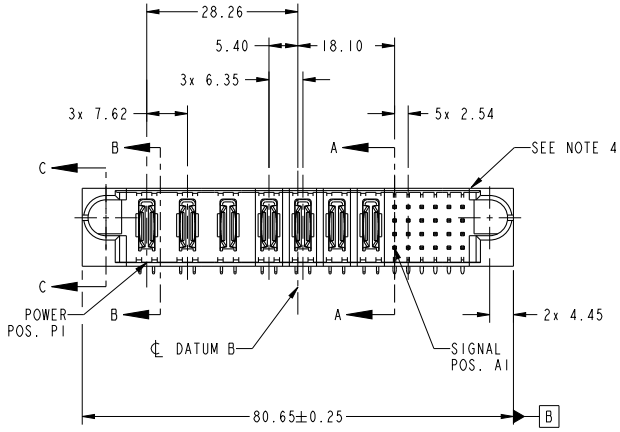
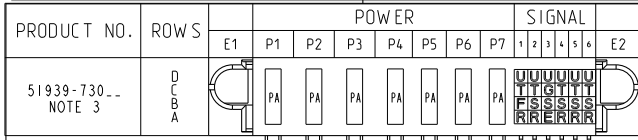
## Excellent Integrated System Limited

Stocking Distributor

Click to view price, real time Inventory, Delivery & Lifecycle Information:

[FCI](#)  
[51939-730LF](#)

For any questions, you can email us directly:  
[sales@integrated-circuit.com](mailto:sales@integrated-circuit.com)



CODE	DIM "M" MATING LENGTH	CONTACT TYPE
U	[6.86]	SIGNAL
T	[6.86]	SIGNAL
R	[6.86]	SIGNAL
F	[5.59]	SIGNAL
S	[6.86]	SIGNAL
G	[5.59]	SIGNAL
E	[5.59]	SIGNAL
PA	[N/A]	POWER

spec ref	*	dr	Luo Weller	2013/01/23	projection		size	A4	scale	1:1	
tolerance std	TOLERANCES UNLESS OTHERWISE SPECIFIED	eng	Luo Weller	2013/02/04	product family	PwrBlade	ecn no	-	rel level	Released	
SEE NOTE		chr	-	-	cat. no.	-	Product - Customer	Drw	sheet 1 of 4		
surface	linear	0.X	±0.5		3ACP+4P+24S	www.fci.com	dwg no	51939-730	rev	A	
		0.XX	±0.25		RIGHT ANGLE SOLDER HEADER						
		0.XXX	±0.1								
	angular	0°	±2°								

Print File - REV C - 2009-08-09

1

2

3

PDS: Rev :A

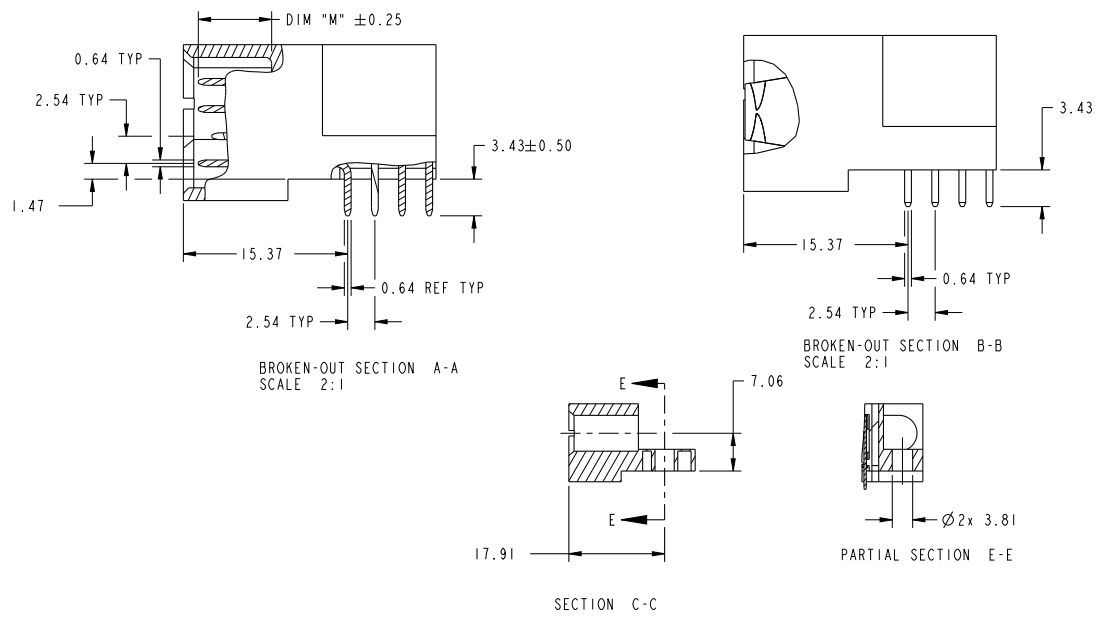
STATUS:Released

Printed: Feb 05, 2013



Copyright FCI.

PRODUCT NUMBER  
51939-730\_...  
NOTE: 3

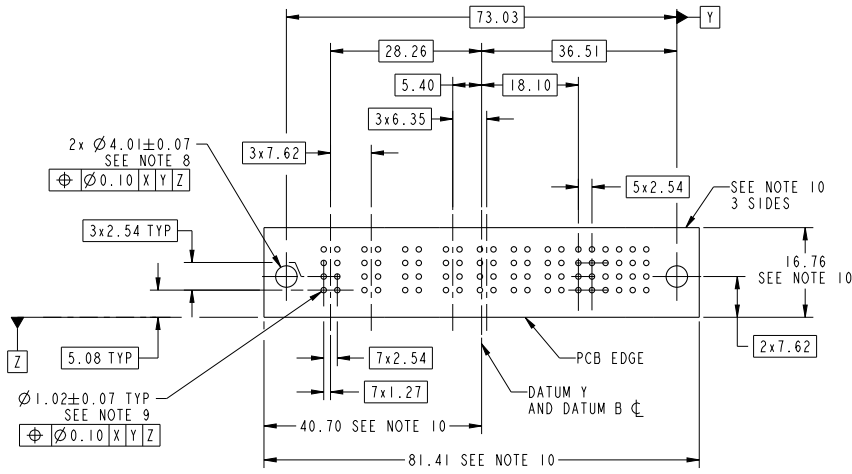


dr	Luo Weller	2013/01/23	projection	MM	size	A4	scale	1:1
eng	Luo Weller	2013/02/04			ecn no	-	rel level	
chr	-	-			product family	PwrBlade	Released	
appr	Pei-Ming Zheng	2013/02/04				dwg no	51939-730	rev
<b>www.fci.com</b>			title 3ACP+4P+24S RIGHT ANGLE SOLDER HEADER			cat. no. -		Product - Customer Drw
							sheet 2 of 4	

Copyright FCI.

Print File - REV C - 2009-06-09

PRODUCT NUMBER  
51939-730\_  
NOTE: 3



RECOMMENDED PCB LAYOUT

dr	Luo Weller	2013/01/23	projection	MM	size	A4	scale	1:1
eng	Luo Weller	2013/02/04			ecn no	-	rel level	
chr	-	-			product family	PwrBlade	Released	
appr	Pei-Ming Zheng	2013/02/04				3ACP+4P+24S RIGHT ANGLE SOLDER HEADER		rev A
www.fci.com			cat. no.	-	Product - Customer Drw			sheet 3 of 4

Print File - REV C - 2009-06-09

PRODUCT NUMBER	
51939-730_	
NOTE: 3	
NOTES:	
1. DIMENSIONS AND TOLERANCES ARE IN ACCORDANCE WITH ASME Y14.5M, 1994 UNLESS OTHERWISE SPECIFIED.	
CONNECTOR NOTES:	
②. HOUSING MATERIAL: UL 94 V-0 GLASS FILLED HIGH-TEMP THERMOPLASTIC POWER CONTACT MATERIAL: COPPER ALLOY SIGNAL PIN MATERIAL: COPPER ALLOY	
3. SEE ITEM 1 & 2 IN PRINT 10064183 FOR PLATING SPEC OF 51939-730 AND 51939-730LF RESPECTIVELY.	
④. MANUFACTURER'S NAME, DATE CODE AND OPTIONAL P/N TO APPEAR ON THIS SURFACE. THE MARK CAN BE OMITTED IF THERE IS NOT ENOUGH SPACE ON THIS SURFACE.	
5. PRODUCT SPECIFICATION GS-12-149. APPLICATION SPECIFICATION BUS-20-067.	
6. PACKAGED IN TRAYS.	
PCB NOTES:	
7. ALL HOLE DIAMETERS ARE FINISHED HOLE SIZE.	
⑧. MOUNTING HOLES, WHERE APPLICABLE, ARE UNPLATED.	
⑨. $\varnothing 1.151 \pm 0.025$ DRILLED HOLES PLATED WITH 0.008 MIN SnPb OR Sn OVER 0.03 TO 0.08 Cu PLATING TO ACHIEVE $\varnothing 1.02 \pm 0.07$ HOLE.	
⑩. CONNECTOR KEEP-OUT ZONE.	

dr	Luo Weller	2013/01/23	projection		MM	size	A4	scale	1:1	
eng	Luo Weller	2013/02/04	chr			-	ecn no	-		
appr	Pei-Ming Zheng	2013/02/04	product family	PwrBlade		rel level	Released			
		title	3ACP+4P+24S RIGHT ANGLE SOLDER HEADER			dwg no	51939-730		rev	A
www.fci.com		cat. no.	-			Product - Customer Drw		sheet 4 of 4		



Copyright FCI.