

Excellent Integrated System Limited

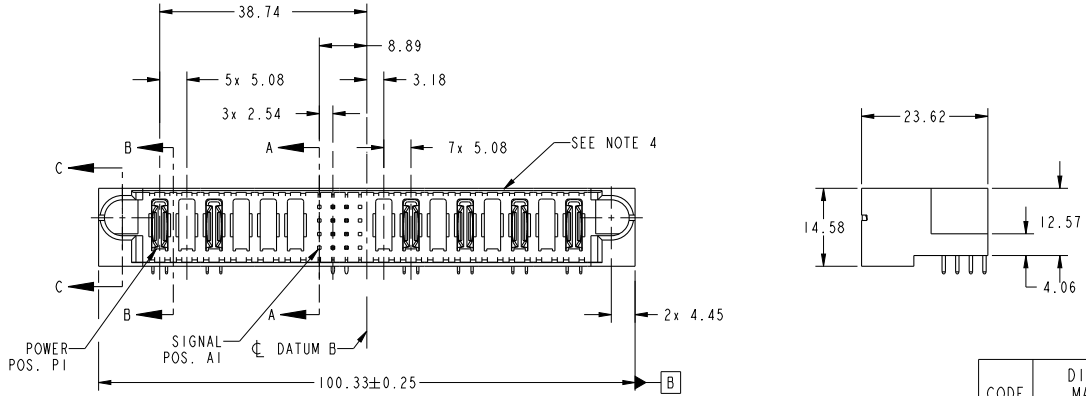
Stocking Distributor

Click to view price, real time Inventory, Delivery & Lifecycle Information:

[FCI](#)
[51939-734LF](#)

For any questions, you can email us directly:
sales@integrated-circuit.com

PRODUCT NO.	ROWS	POWER						SIGNAL				POWER						E2			
		E1	P1	P2	P3	P4	P5	P6	1	2	3	4	P7	P8	P9	P10	P11		P12	P13	P14
51939-734... NOTE 3	D C B A	PA	X	PA	X	X	X	X	X	X	X	X	PA	X	PA	X	PA	X	PA	X	PA



CODE	DIM "M" MATING LENGTH	CONTACT TYPE
U	[6.86]	SIGNAL
T	[6.86]	SIGNAL
S	[6.86]	SIGNAL
R	[6.86]	SIGNAL
H	[5.59]	SIGNAL
PA	[N/A]	POWER
X	OMITTED	OMITTED

spec ref	*	dr	Luo Weller	2013/01/23	projection	MM	size	A4	scale	1:1												
tolerance std	TOLERANCES UNLESS OTHERWISE SPECIFIED	eng	Luo Weller	2014/07/23			ecn no	-	rel level	Released												
SEE NOTE		chr	-	appr			Pei-Ming Zheng	2014/07/23	product family	PwrBlade												
surface	<table border="1"> <tr> <td>linear</td> <td>0.X</td> <td>±0.5</td> </tr> <tr> <td></td> <td>0.XX</td> <td>±0.25</td> </tr> <tr> <td></td> <td>0.XXX</td> <td>±0.1</td> </tr> <tr> <td>angular</td> <td>0°</td> <td>±2°</td> </tr> </table>	linear	0.X	±0.5		0.XX	±0.25		0.XXX	±0.1	angular	0°	±2°				6P + 16S + 8P RIGHT ANGLE SOLDER HEADER		www.fci.com	cat. no. -	Product - Customer Drw	sheet 1 of 4
linear	0.X	±0.5																				
	0.XX	±0.25																				
	0.XXX	±0.1																				
angular	0°	±2°																				
							dwg no 51939-734	rev A														

Prod File - REV C - 2009-08-09

1

2

3

PDS: Rev :A

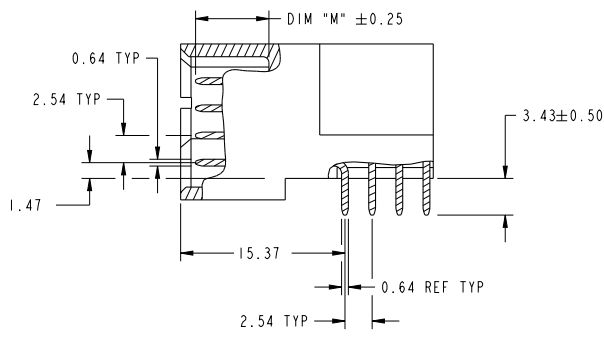
STATUS:Released

Printed: Jul 23, 2014

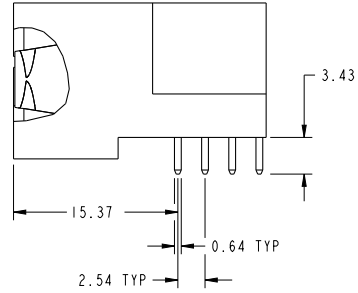


Copyright FCI.

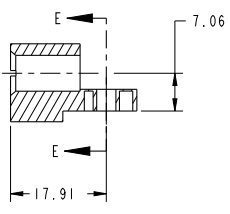
PRODUCT NUMBER
51939-734_
NOTE: 3



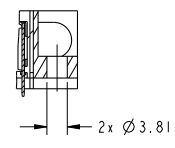
BROKEN-OUT SECTION A-A
SCALE 2:1



BROKEN-OUT SECTION B-B
SCALE 2:1



SECTION C-C



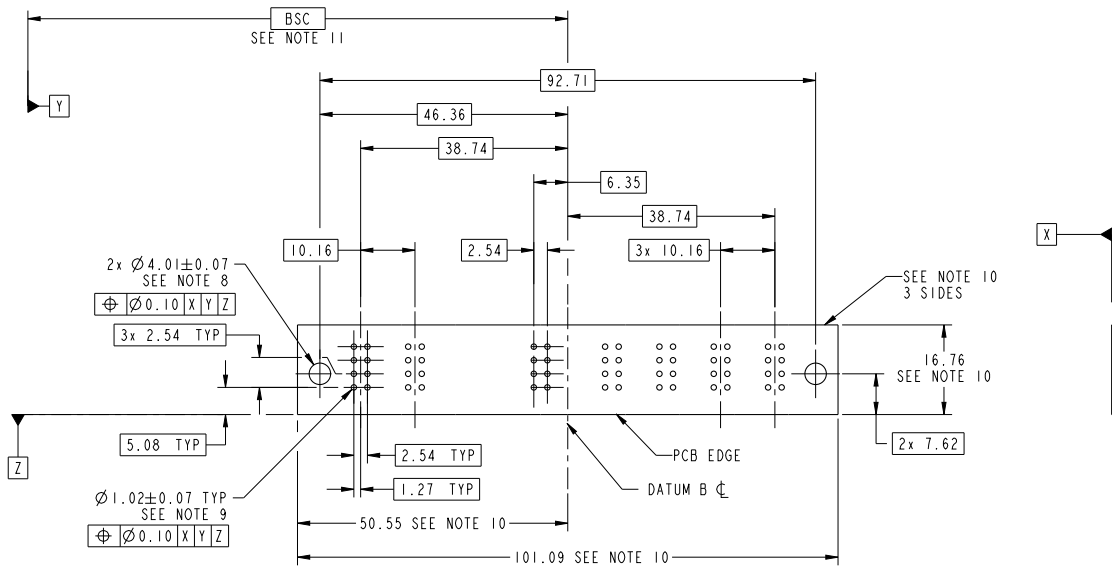
PARTIAL SECTION E-E

dr	Luo Weller	2013/01/23	projection	MM	size	A4	scale	1:1
eng	Luo Weller	2014/07/23			ecn no	-	rel level	Released
chr	-	-			product family	PwrBlade		
appr	Pei-Ming Zheng	2014/07/23			title	6P + 16S + 8P		rev A
www.fci.com			cat. no. -		Product - Customer Drw		sheet 2 of 4	



Copyright FCI.

PRODUCT NUMBER
51939-734...
NOTE: 3



RECOMMENDED PCB LAYOUT

dr	Luo Weller	2013/01/23	projection	MM	size	A4	scale	1:1
eng	Luo Weller	2014/07/23			ecn no	-		
chr	-	-	product family	PwrBlade	rel level	Released		
appr	Pei-Ming Zheng	2014/07/23	6P + 16S + 8P		dwg no	51939-734		rev
			RIGHT ANGLE SOLDER HEADER				A	
www.fci.com			cat. no.	-	Product - Customer Drw		sheet 3 of 4	

Part File : REV C - 2009-06-09

PDS: Rev :A

STATUS:Released

Printed: Jul 23, 2014

PRODUCT NUMBER

51939-734LF
NOTE: 3

NOTES:

1. DIMENSIONS AND TOLERANCES ARE IN ACCORDANCE WITH ASME Y14.5M, 1994 UNLESS OTHERWISE SPECIFIED.

CONNECTOR NOTES:

- 2. HOUSING MATERIAL: UL 94 V-0 GLASS FILLED HIGH-TEMP THERMOPLASTIC
POWER CONTACT MATERIAL: COPPER ALLOY
SIGNAL PIN MATERIAL: COPPER ALLOY
 - 3. SEE ITEM 1 & 2 IN PRINT 10064183 FOR PLATING SPEC OF 51939-734 AND 51939-734LF RESPECTIVELY.
 - 4. MANUFACTURER'S NAME, DATE CODE AND OPTIONAL P/N TO APPEAR ON THIS SURFACE. THE P/N CAN BE OMITTED IF THERE IS NOT ENOUGH SPACE ON THIS SURFACE.
 - 5. PRODUCT SPECIFICATION GS-12-149.
APPLICATION SPECIFICATION BUS-20-067.
 - 6. PACKAGED IN TRAYS.
- PCB NOTES:**
- 7. ALL HOLE DIAMETERS ARE FINISHED HOLE SIZE.
 - 8. MOUNTING HOLES, WHERE APPLICABLE, ARE UNPLATED.
 - 9. $\varnothing 1.151 \pm 0.025$ DRILLED HOLES PLATED WITH 0.008 MIN SnPb OR Sn OVER 0.03 TO 0.08 Cu PLATING TO ACHIEVE $\varnothing 1.02 \pm 0.07$ HOLE.
 - 10. CONNECTOR KEEP-OUT ZONE.
 - 11. DATUM AND BASIC DIMENSIONS ARE ESTABLISHED BY CUSTOMER.

dr	Luo Weller	2013/01/23	projection		MM	size	A4	scale	1:1		
eng	Luo Weller	2014/07/23	ecr no			-					
chr	-	-	product family	PwrBlade	rel level	Released					
appr	Pei-Ming Zheng	2014/07/23			title	6P + 16S + 8P		dwg no	51939-734	rev	A
www.fci.com		cat. no.	-		Product - Customer Drw			sheet 4 of 4			

Prod File - REV C - 2009-06-09



Copyright FCI.