

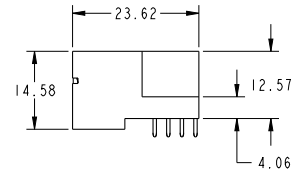
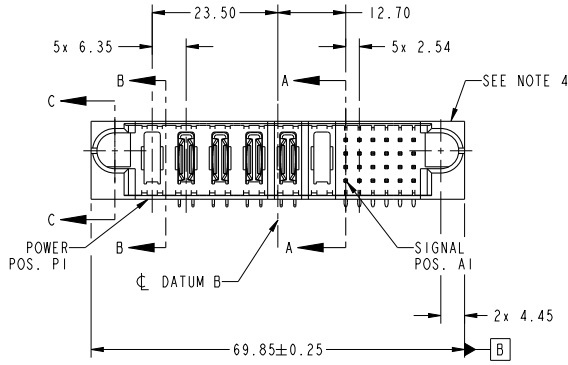
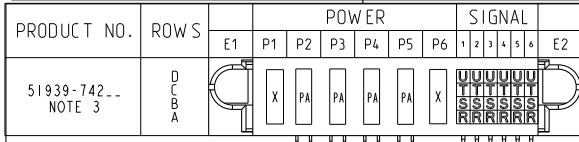
Excellent Integrated System Limited

Stocking Distributor

Click to view price, real time Inventory, Delivery & Lifecycle Information:

[FCI](#)
[51939-742LF](#)

For any questions, you can email us directly:
sales@integrated-circuit.com



CODE	DIM "M" MATING LENGTH	CONTACT TYPE
U	[6.86]	SIGNAL
T	[6.86]	SIGNAL
S	[6.86]	SIGNAL
R	[6.86]	SIGNAL
PA	[N/A]	POWER
X	OMITTED	OMITTED

spec ref	*	dr	Luo Weller	2013/03/05	projection		MM	size	A4	scale	1:1	
tolerance std	TOLERANCES UNLESS OTHERWISE SPECIFIED	eng	Luo Weller	2013/03/26	chr	-	product family	PwrBlade	ecn no	-	rel level	Released
SEE NOTE		appr	Pei-Ming Zheng	2013/03/26			6P+24S	dwg no	51939-742	rev	A	
surface	linear	0.X	±0.5		RIGHT ANGLE SOLDER HEADER		www.fci.com	cat. no.	-	Product - Customer Drw	sheet 1 of 4	
	angular	0°	±2°									

Print File : REV C - 2009-08-09

1

2

3

PDS: Rev :A

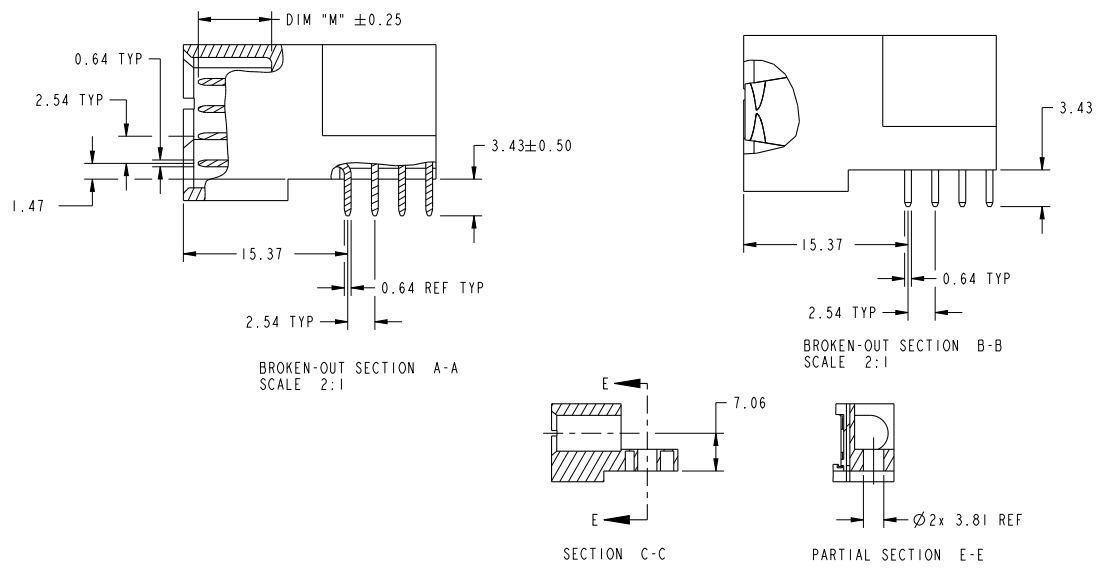
STATUS:Released

Printed: Mar 27, 2013



Copyright FCI.

PRODUCT NUMBER
51939-742...
NOTE: 3

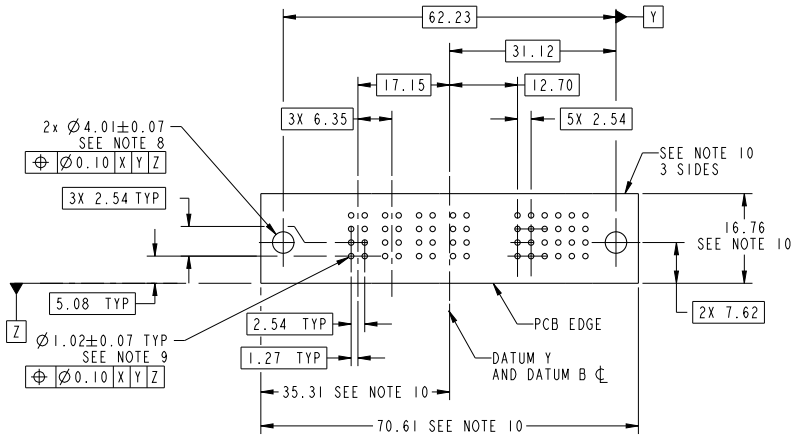


Copyright FCI.

dr	Luo Weller	2013/03/05	projection	MM	size	A4	scale	1:1
eng	Luo Weller	2013/03/26			ecn no	-	Released	rev A
chr	-	-			product family	PwrBlade		
appr	Pei-Ming Zheng	2013/03/26			title	6P+24S RIGHT ANGLE SOLDER HEADER		dwg no 51939-742
www.fci.com			cat. no.	-	Product - Customer Drw		sheet 2 of 4	

Print File - REV C - 2009-06-09

PRODUCT NUMBER
51939-742- NOTE: 3



RECOMMENDED PCB LAYOUT

dr	Luo Weller	2013/03/05	projection	MM	size	A4	scale	1:1		
eng	Luo Weller	2013/03/26			ecn no	-	rel level	Released		
chr	-	-			product family	PwrBlade				
appr	Pei-Ming Zheng	2013/03/26				6P+24S	dwg no	51939-742	rev	A
www.fci.com			RIGHT ANGLE SOLDER HEADER			cat. no.	-	Product - Customer Drw	sheet 3 of 4	

Print File - REV C - 2009-06-09

Copyright FCI.

PRODUCT NUMBER
51939-742--
NOTE: 3

NOTES:

1. DIMENSIONS AND TOLERANCES ARE IN ACCORDANCE WITH ASME Y14.5M, 1994 UNLESS OTHERWISE SPECIFIED.

CONNECTOR NOTES:

2. HOUSING MATERIAL: UL 94 V-0 GLASS FILLED HIGH-TEMP THERMOPLASTIC
POWER CONTACT MATERIAL: COPPER ALLOY
SIGNAL PIN MATERIAL: COPPER ALLOY

3. SEE ITEM 1 & 2 IN PRINT 10064183 FOR PLATING SPEC OF 51939-742 AND 51939-742LF RESPECTIVELY.

4. MANUFACTURER'S NAME, DATE CODE AND OPTIONAL P/N TO APPEAR ON THIS SURFACE. THE MARK CAN BE OMITTED IF THERE IS NOT ENOUGH SPACE ON THIS SURFACE.

5. PRODUCT SPECIFICATION GS-12-149.
APPLICATION SPECIFICATION BUS-20-067.

6. PACKAGED IN TRAYS.

PCB NOTES:

7. ALL HOLE DIAMETERS ARE FINISHED HOLE SIZE.

8. MOUNTING HOLES, WHERE APPLICABLE, ARE UNPLATED.

9. $\varnothing 1.151 \pm 0.025$ DRILLED HOLES PLATED WITH
0.008 MIN SnPb OR Sn OVER 0.03
TO 0.08 Cu PLATING TO ACHIEVE
 $\varnothing 1.02 \pm 0.07$ HOLE.

10. CONNECTOR KEEP-OUT ZONE.

dr	Luo Weller	2013/03/05	projection		MM	size	A4	scale	1:1	
eng	Luo Weller	2013/03/26	chr			-	ecn no	-		
appr	Pei-Ming Zheng	2013/03/26	product family	PwrBlade		rel level	Released			
			title	6P+24S		dwg no	51939-742		rev	A
www.fci.com			cat. no.	-			Product - Customer Drw		sheet 4 of 4	

Print File - REV C - 2009-06-09



Copyright FCI.