

## Excellent Integrated System Limited

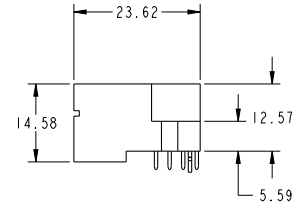
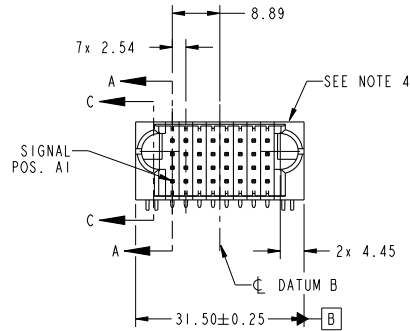
Stocking Distributor

Click to view price, real time Inventory, Delivery & Lifecycle Information:

[FCI](#)  
[51939-747LF](#)

For any questions, you can email us directly:  
[sales@integrated-circuit.com](mailto:sales@integrated-circuit.com)

PRODUCT NO.	ROWS	SIGNAL							
		E1	1	2	3	4	5	6	7
51939-747... NOTE 3	D C B A								



CODE	DIM "M" MATING LENGTH	CONTACT TYPE
U	[6.86]	SIGNAL
T	[6.86]	SIGNAL
S	[6.86]	SIGNAL
R	[6.86]	SIGNAL
HA	[N/A]	HOLD-DOWN

spec ref	*	dr	Ruan MT	2013/03/17	projection	MM	size	A4	scale	1:1																				
tolerance std	TOLERANCES UNLESS OTHERWISE SPECIFIED	eng	Ruan MT	2013/09/20			ecp no	-	rel level	Released																				
SEE NOTE		chr	-	-			product family	PwrBlade	rev	A																				
surface	<table border="1"> <tr> <td>linear</td> <td>0.X</td> <td>±0.5</td> </tr> <tr> <td></td> <td>0.XX</td> <td>±0.25</td> </tr> <tr> <td></td> <td>0.XXX</td> <td>±0.1</td> </tr> <tr> <td>angular</td> <td>0°</td> <td>±2°</td> </tr> </table>	linear	0.X	±0.5		0.XX	±0.25		0.XXX	±0.1	angular	0°	±2°	appr	Pei-Ming Zheng	2013/09/20		<table border="1"> <tr> <td>part no</td> <td>32S</td> </tr> <tr> <td>title</td> <td>RIGHT ANGLE SOLDER HEADER</td> </tr> </table>	part no	32S	title	RIGHT ANGLE SOLDER HEADER	<table border="1"> <tr> <td>dwg no</td> <td>51939-747</td> </tr> </table>	dwg no	51939-747	<table border="1"> <tr> <td>cat. no.</td> <td>-</td> </tr> </table>	cat. no.	-	Product - Customer Drw	sheet 1 of 4
linear	0.X	±0.5																												
	0.XX	±0.25																												
	0.XXX	±0.1																												
angular	0°	±2°																												
part no	32S																													
title	RIGHT ANGLE SOLDER HEADER																													
dwg no	51939-747																													
cat. no.	-																													

Prod File - REV C - 2009-08-09

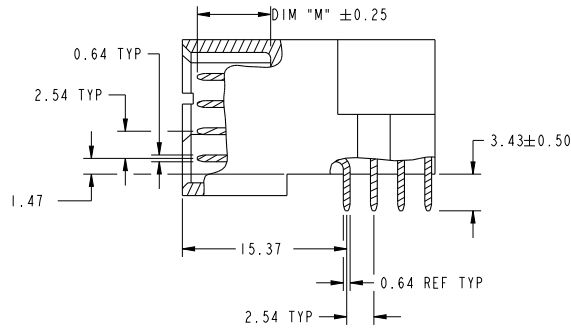
Copyright FCI.

PDS: Rev :A

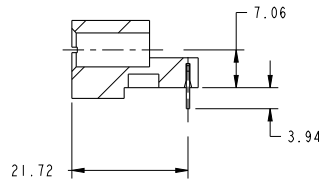
STATUS:Released

Printed: Sep 30, 2013

PRODUCT NUMBER  
51939-747...  
NOTE: 3



BROKEN-OUT SECTION A-A  
SCALE 2:1



SECTION C-C

dr	Ruan MT	2013/03/17	projection	MM	size	A4	scale	1:1
eng	Ruan MT	2013/09/30			ecn no	-		
chr	-	-			product family	PwrBlade	rel level	<b>Released</b>
appr	Pei-Ming Zheng	2013/09/30				dwg no	51939-747	rev
<b>www.fci.com</b>			title 32S RIGHT ANGLE SOLDER HEADER			cat. no. -		Product - Customer Drw
						sheet 2 of 4		

Prod File - REV C - 2009-08-09

PDS: Rev :A

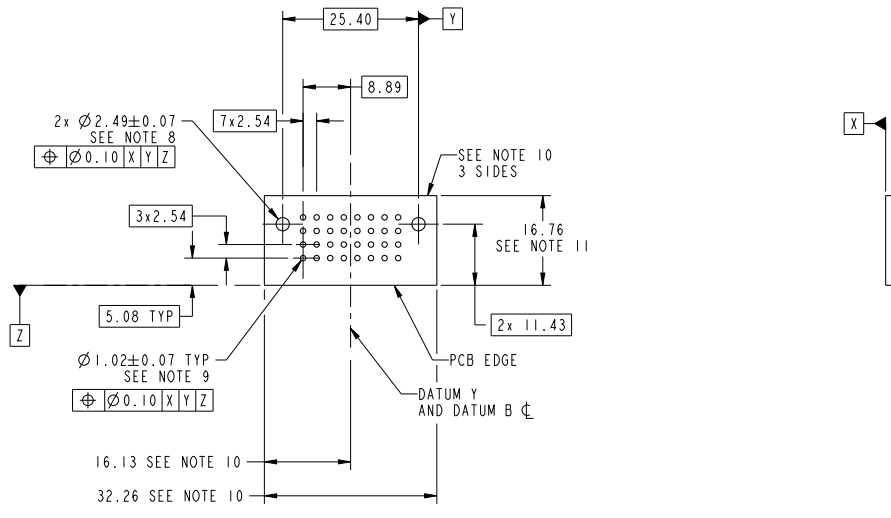
STATUS:Released

Printed: Sep 30, 2013



Copyright FCI.

PRODUCT NUMBER  
51939-747...  
NOTE: 3



RECOMMENDED PCB LAYOUT

dr	Ruan MT	2013/03/17	projection	MM	size	A4	scale	1:1
eng	Ruan MT	2013/09/30			ecn no	-	rel level	
chr	-	-			product family	PwrBlade	Released	
appr	Pei-Ming Zheng	2013/09/30				title	32S	rev
www.fci.com			cat. no.			-		Product - Customer Drw
						dwg no	51939-747	A
						sheet 3 of 4		



Copyright FCI.

**PRODUCT NUMBER**

51939-747-  
NOTE: 3

**NOTES:**

1. DIMENSIONS AND TOLERANCES ARE IN ACCORDANCE WITH ASME Y14.5M, 1994 UNLESS OTHERWISE SPECIFIED.

**CONNECTOR NOTES:**

- 2. HOUSING MATERIAL: UL 94 V-0 GLASS FILLED HIGH-TEMP THERMOPLASTIC  
POWER CONTACT MATERIAL: COPPER ALLOY  
SIGNAL PIN MATERIAL: COPPER ALLOY
- 3. SEE ITEM 1 & 2 IN PRINT 10064183 FOR PLATING SPEC OF 51939-747 AND 51939-747LF RESPECTIVELY.

- 4. MANUFACTURER'S NAME, DATE CODE AND OPTIONAL P/N TO APPEAR ON THIS SURFACE. THE MARK CAN BE OMITTED IF THERE IS NOT ENOUGH SPACE ON THIS SURFACE.

5. PRODUCT SPECIFICATION GS-12-149.  
APPLICATION SPECIFICATION BUS-20-067.

6. PACKAGED IN TRAYS.

**PCB NOTES:**

7. ALL HOLE DIAMETERS ARE FINISHED HOLE SIZE.

- 8. MOUNTING HOLES, WHERE APPLICABLE, ARE UNPLATED.

- 9.  $\varnothing 1.151 \pm 0.025$  DRILLED HOLES PLATED WITH  
0.008 MIN SnPb OR Sn OVER 0.03  
TO 0.08 Cu PLATING TO ACHIEVE  
 $\varnothing 1.02 \pm 0.07$  HOLE.

- 10. CONNECTOR KEEP-OUT ZONE.

dr	Ruan MT	2013/03/17	projection		MM	size	A4	scale	1:1
eng	Ruan MT	2013/09/20	chr			-	ecn no	-	
appr	Pei-Ming Zheng	2013/09/20	product family	PwrBlade		rel level	Released		
		title 32S RIGHT ANGLE SOLDER HEADER	dwg no 51939-747	rev A	www.fci.com cat. no. - Product - Customer Drw sheet 4 of 4				

Prod File - REV C - 2009-06-09



Copyright FCI.