

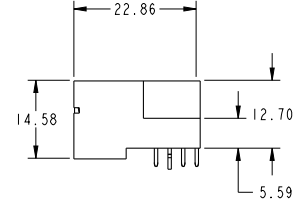
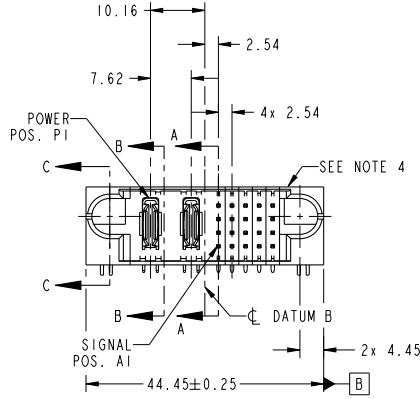
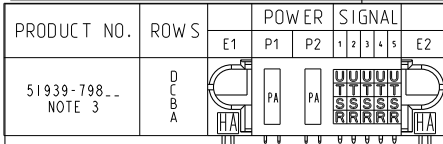
Excellent Integrated System Limited

Stocking Distributor

Click to view price, real time Inventory, Delivery & Lifecycle Information:

[FCI](#)
[51939-798LF](#)

For any questions, you can email us directly:
sales@integrated-circuit.com



CODE	DIM "M" MATING LENGTH	CONTACT TYPE
U	[6.86]	SIGNAL
T	[6.86]	SIGNAL
S	[6.86]	SIGNAL
R	[6.86]	SIGNAL
PA	[N/A]	POWER
HA	[N/A]	HOLD-DOWN

spec ref	*	dr	Jackie Huang	2013/08/01	projection	MM	size	A4	scale	1:1			
tolerance std	ASME Y14.5	eng	Jackie Huang	2013/08/15		PwrBlade	ecn no	-	rel level	Released			
TOLERANCES UNLESS OTHERWISE SPECIFIED		chr	-	appr			Pei-Ming Zheng	2013/08/15	cat. no.	-	Product - Customer Drw	sheet 1 of 4	
surface	ASME Y14.5	linear	0.X	±0.5		2ACP+20S RIGHT ANGLE STB HEADER	www.fci.com	cat. no. -	Product - Customer Drw	sheet 1 of 4			
surface <input checked="" type="checkbox"/>	linear	0.XX	±0.25	www.fci.com							cat. no. -	Product - Customer Drw	sheet 1 of 4
		0.XXX	±0.1										
	angular	0°	±2°										

Print File: REV C - 2009-08-09

1

2

3

PDS: Rev :A

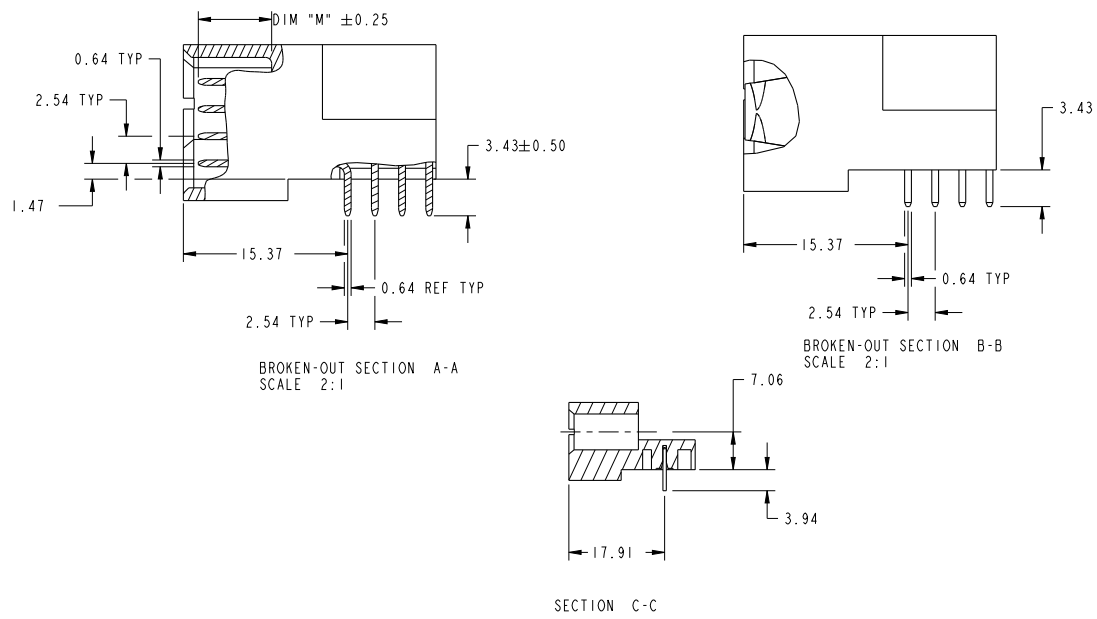
STATUS:Released

Printed: Aug 16, 2013



Copyright FCI.

PRODUCT NUMBER
51939-798...
NOTE: 3

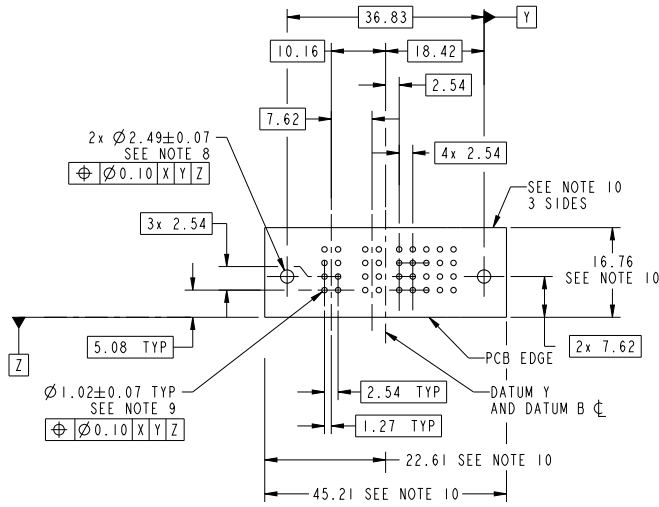


Copyright FCI.

dr	Jackie Huang	2013/08/01	projection	MM	size	A4	scale	1:1
eng	Jackie Huang	2013/08/15			ecn no	-	rel level	
chr	-	-			product family	PwrBlade	Released	
appr	Pei-Ming Zheng	2013/08/15				dwg no	51939-798	rev
www.fci.com			title 2ACP+20S RIGHT ANGLE STB HEADER			cat. no. -		Product - Customer Drw
						sheet 2 of 4		

Print File - REV C - 2009-08-09

PRODUCT NUMBER
51939-798...
NOTE: 3



RECOMMENDED PCB LAYOUT

dr	Jackie Huang	2013/08/01	projection	MM	size	A4	scale	1:1
eng	Jackie Huang	2013/08/15			ecn no	-	rel level	Released
chr	-	-			product family	PwrBlade		
appr	Pei-Ming Zheng	2013/08/15			2ACP+20S	dwg no	51939-798	rev
www.fci.com					RIGHT ANGLE STB HEADER			A
cat. no.			-		Product - Customer Drw		sheet 3 of 4	

Print File - REV C - 2009-08-09



Copyright FCI.

PRODUCT NUMBER	
51939-798_	
NOTE: 3	
NOTES:	
1. DIMENSIONS AND TOLERANCES ARE IN ACCORDANCE WITH ASME Y14.5M, 1994 UNLESS OTHERWISE SPECIFIED.	
CONNECTOR NOTES:	
②. HOUSING MATERIAL: UL 94 V-0 GLASS FILLED HIGH-TEMP THERMOPLASTIC POWER CONTACT MATERIAL: COPPER ALLOY SIGNAL PIN MATERIAL: COPPER ALLOY	
3. SEE ITEM 1 & 2 IN PRINT 10064183 FOR PLATING SPEC OF 51939-798 AND 51939-798LF RESPECTIVELY.	
④. MANUFACTURER'S NAME, DATE CODE AND OPTIONAL P/N TO APPEAR ON THIS SURFACE. THE MARK CAN BE OMITTED IF THERE IS NOT ENOUGH SPACE ON THIS SURFACE.	
5. PRODUCT SPECIFICATION GS-12-149. APPLICATION SPECIFICATION BUS-20-067.	
6. PACKAGED IN TRAYS.	
PCB NOTES:	
7. ALL HOLE DIAMETERS ARE FINISHED HOLE SIZE.	
⑧. MOUNTING HOLES, WHERE APPLICABLE, ARE UNPLATED.	
⑨. $\varnothing 1.151 \pm 0.025$ DRILLED HOLES PLATED WITH 0.008 MIN SnPb OR Sn OVER 0.03 TO 0.08 Cu PLATING TO ACHIEVE $\varnothing 1.02 \pm 0.07$ HOLE.	
⑩. CONNECTOR KEEP-OUT ZONE.	

dr	Jackie Huang	2013/08/01	projection		MM	size	A4	scale	1:1	
eng	Jackie Huang	2013/08/15				ecn no	-			
chr	-	-				rel level			Released	
appr	Pei-Ming Zheng	2013/08/15	product family	PwrBlade						
		title	2ACP+20S RIGHT ANGLE STB HEADER			dwg no	51939-798		rev	A
www.fci.com		cat. no.	-		Product - Customer Drw	sheet 4 of 4				



Copyright FCI.