

Excellent Integrated System Limited

Stocking Distributor

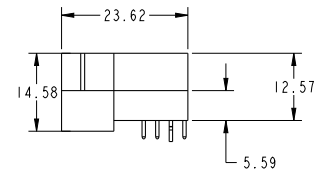
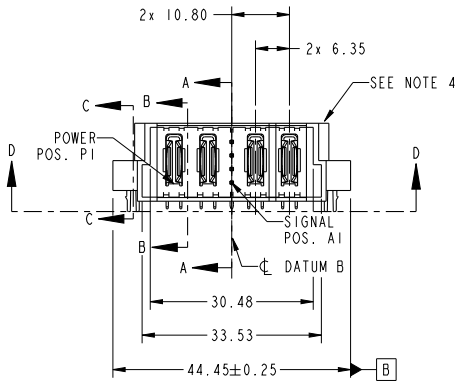
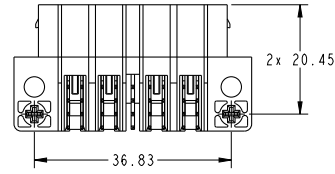
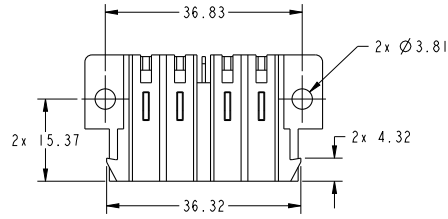
Click to view price, real time Inventory, Delivery & Lifecycle Information:

[FCI](#)
[51939-845LF](#)

For any questions, you can email us directly:
sales@integrated-circuit.com

PRODUCT NO.	ROWS	POWER		SIGNAL		POWER	
		E1	P1	P2	P3	P4	E2
51939-845... NOTE 3	D C B A		PA	PA	SI	PA	PA

CODE	DIM "M" MATING LENGTH	CONTACT TYPE
U	[6.86]	SIGNAL
T	[6.86]	SIGNAL
S	[6.86]	SIGNAL
R	[6.86]	SIGNAL
PA	[N/A]	POWER
HA	[N/A]	HOLD-DOWN



spec ref	*	dr	Ruan MT	2014/03/20	projection	MM	size	A4	scale	1:1
tolerance std	ASME Y14.5	eng	De-Ming Lu	2014/03/27			ecn no	-	rel level	Released
TOLERANCES UNLESS OTHERWISE SPECIFIED		chr	-	-			product family	PwrBlade	rev	A
surface	linear	0.X	±0.5		2P + 4S + 2P		www.fci.com cat. no. -	Product - Customer Drw	sheet 1 of 4	
ASME Y14.5	angular	0.XX	±0.25		RIGHT ANGLE SOLDER HEADER	Product - Customer Drw				sheet 1 of 4
		0.XXX	±0.1							
		0°	±2°							

Print File: REV C - 2009-08-09

1

2

3

PDS: Rev :A

STATUS:Released

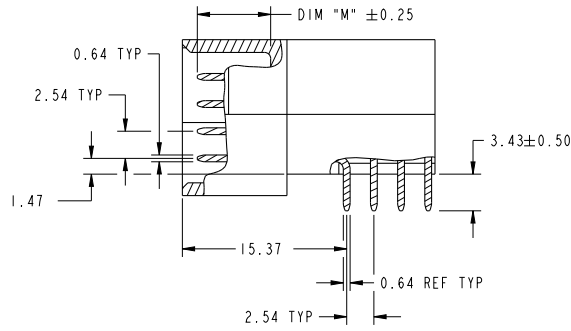
Printed: Apr 01, 2014



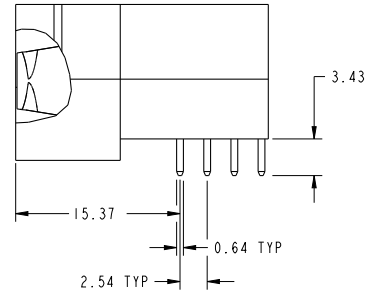
Copyright FCI.

PRODUCT NUMBER

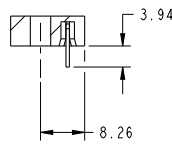
51939-845...
NOTE: 3



BROKEN-OUT SECTION A-A
SCALE 2:1



BROKEN-OUT SECTION B-B
SCALE 2:1



SECTION C-C

dr	Ruan MT	2014/03/20	projection	MM	size	A4	scale	1:1
eng	De-Ming Lu	2014/03/27			ecn no	-	rel level	Released
chr	-	-			product family	PwrBlade		
appr	Pei-Ming Zheng	2014/03/27			title	2P + 4S + 2P		dwg no 51939-845 rev A
www.fci.com			cat. no. -		Product - Customer Drw		sheet 2 of 4	

Print File - REV C - 2009-06-09

PDS: Rev :A

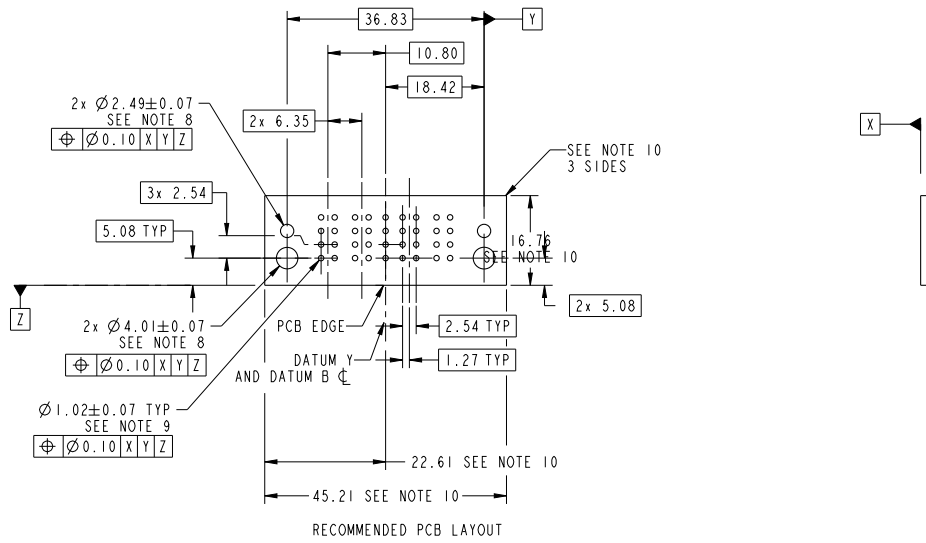
STATUS:Released

Printed: Apr 01, 2014



Copyright FCI.

PRODUCT NUMBER
51939-845_..
NOTE: 3



RECOMMENDED PCB LAYOUT

dr	Ruan MT	2014/03/20	projection	MM	size	A4	scale	1:1		
eng	De-Ming Lu	2014/03/27			ecn no	-	rel level	Released		
chr	-	-			product family	PwrBlade				
appr	Pei-Ming Zheng	2014/03/27			2P + 4S + 2P RIGHT ANGLE SOLDER HEADER		www.fci.com	cat. no. -	Product - Customer Drw	rev A
					dwg no 51939-845	sheet 3 of 4				

Print File : REV C - 2009-06-09



Copyright FCI.

PRODUCT NUMBER

51939-845_..
NOTE: 3

NOTES:

1. DIMENSIONS AND TOLERANCES ARE IN ACCORDANCE WITH ASME Y14.5M, 1994 UNLESS OTHERWISE SPECIFIED.

CONNECTOR NOTES:

- 2. HOUSING MATERIAL: UL 94 V-0 GLASS FILLED HIGH-TEMP THERMOPLASTIC
POWER CONTACT MATERIAL: COPPER ALLOY
SIGNAL PIN MATERIAL: COPPER ALLOY
- 3. SEE ITEM 1 & 2 IN PRINT 10064183 FOR PLATING SPEC OF 51939-845 AND 51939-845LF RESPECTIVELY.

- 4. MANUFACTURER'S NAME, DATE CODE AND OPTIONAL P/N TO APPEAR ON THIS SURFACE. THE MARK CAN BE OMITTED IF THERE IS NOT ENOUGH SPACE ON THIS SURFACE.

5. PRODUCT SPECIFICATION GS-12-149.
APPLICATION SPECIFICATION BUS-20-067.

6. PACKAGED IN TRAYS.

PCB NOTES:

7. ALL HOLE DIAMETERS ARE FINISHED HOLE SIZE.

- 8. MOUNTING HOLES, WHERE APPLICABLE, ARE UNPLATED.

- 9. $\varnothing 1.151 \pm 0.025$ DRILLED HOLES PLATED WITH
0.008 MIN SnPb OR Sn OVER 0.03
TO 0.08 Cu PLATING TO ACHIEVE
 $\varnothing 1.02 \pm 0.07$ HOLE.

- 10. CONNECTOR KEEP-OUT ZONE.

dr	Ruan MT	2014/03/20	projection	MM	size	A4	scale	1:1
eng	De-Ming Lu	2014/03/27			ecn no	-	rel level	Released
chr	-	-	product family	PwrBlade				
appr	Pei-Ming Zheng	2014/03/27			title	2P + 4S + 2P		rev
www.fci.com			RIGHT ANGLE SOLDER HEADER		dwg no	51939-845		A
cat. no.			-		Product - Customer Drw		sheet 4 of 4	

Prod File - REV C - 2009-06-09



Copyright FCI.