

Excellent Integrated System Limited

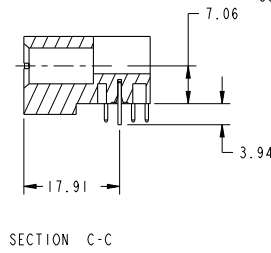
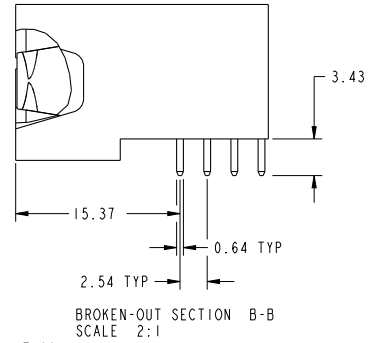
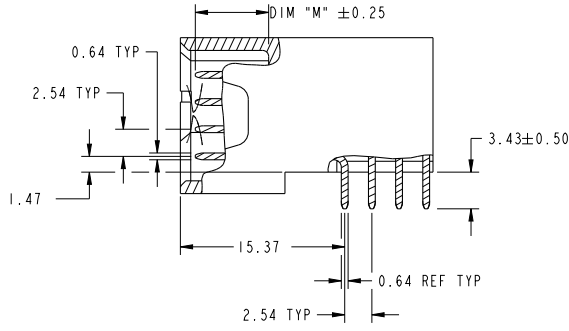
Stocking Distributor

Click to view price, real time Inventory, Delivery & Lifecycle Information:

[FCI](#)
[51939-848LF](#)

For any questions, you can email us directly:
sales@integrated-circuit.com

PRODUCT NUMBER
51939-848...
NOTE: 3



dr	Ruan MT	2014/03/25	projection	MM	size	A4	scale	1:1
eng	Ruan MT	2014/04/16			ecn no	-	rel level	
chr	-	-			product family	PwrBlade	Released	
appr	Pei-Ming Zheng	2014/04/16			title	IP + 3P + 16S + 3P + IP		rev
www.fci.com			cat. no.		-		Product - Customer Drw	sheet 2 of 4
			dwg no		51939-848		A	

Print File - REV C - 2009-08-09

PDS: Rev :A

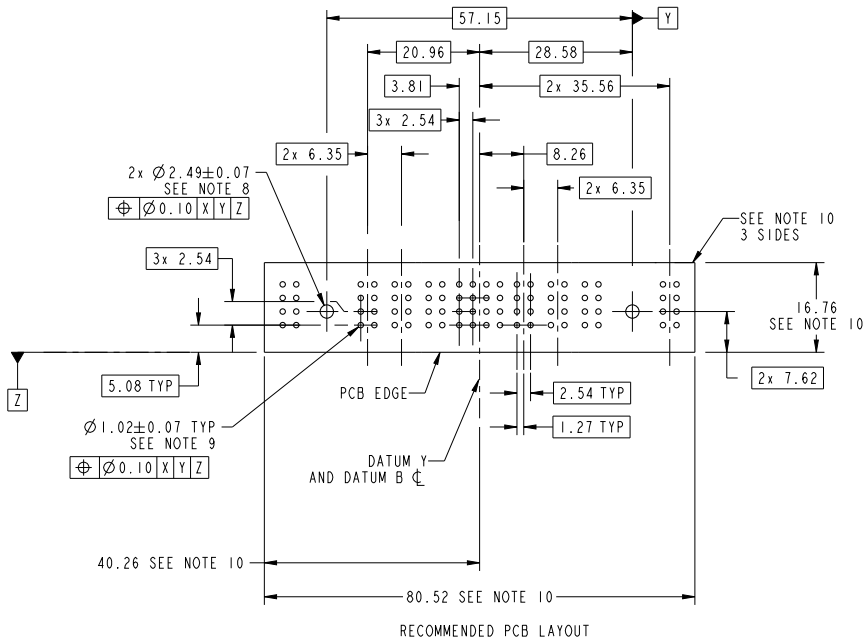
STATUS:Released

Printed: Apr 16, 2014



Copyright FCI.

PRODUCT NUMBER
51939-848...
NOTE: 3



dr	Ruan MT	2014/03/25	projection	MM	size	A4	scale	1:1
eng	Ruan MT	2014/04/16			ecn no	-	rel level	Released
chr	-	-			product family	PwrBlade		
appr	Pei-Ming Zheng	2014/04/16			IP + 3P + 16S + 3P + IP	51939-848	rev	A
www.fci.com		cat. no.	-		Product - Customer Drw	sheet 3 of 4		

Print File - REV C - 2009-06-09

PRODUCT NUMBER
51939-848- NOTE: 3

NOTES:

1. DIMENSIONS AND TOLERANCES ARE IN ACCORDANCE WITH ASME Y14.5M, 1994 UNLESS OTHERWISE SPECIFIED.

CONNECTOR NOTES:

2. HOUSING MATERIAL: UL 94 V-0 GLASS FILLED HIGH-TEMP THERMOPLASTIC
POWER CONTACT MATERIAL: COPPER ALLOY
SIGNAL PIN MATERIAL: COPPER ALLOY

3. SEE ITEM 1 & 2 IN PRINT 10064183 FOR PLATING SPEC OF 51939-848 AND 51939-848LF RESPECTIVELY.

4. MANUFACTURER'S NAME, DATE CODE AND OPTIONAL P/N TO APPEAR ON THIS SURFACE. THE MARK CAN BE OMITTED IF THERE IS NOT ENOUGH SPACE ON THIS SURFACE.

5. PRODUCT SPECIFICATION GS-12-149.
APPLICATION SPECIFICATION BUS-20-067.

6. PACKAGED IN TRAYS.

PCB NOTES:

7. ALL HOLE DIAMETERS ARE FINISHED HOLE SIZE.

8. MOUNTING HOLES, WHERE APPLICABLE, ARE UNPLATED.

9. $\varnothing 1.151 \pm 0.025$ DRILLED HOLES PLATED WITH
0.008 MIN SnPb OR Sn OVER 0.03
TO 0.08 Cu PLATING TO ACHIEVE
 $\varnothing 1.02 \pm 0.07$ HOLE.

10. CONNECTOR KEEP-OUT ZONE.

dr	Ruan MT	2014/03/25	projection		MM	size	A4	scale	1:1	
eng	Ruan MT	2014/04/16	chr			-	ecn no	-		
appr	Pei-Ming Zheng	2014/04/16	product family	PwrBlade		rel level	Released			
		title	IP + 3P + 16S + 3P + IP			dwg no	51939-848		rev	A
www.fci.com		cat. no.	-			Product - Customer Drw		sheet 4 of 4		

Print File - REV C - 2009-06-09



Copyright FCI.