

Excellent Integrated System Limited

Stocking Distributor

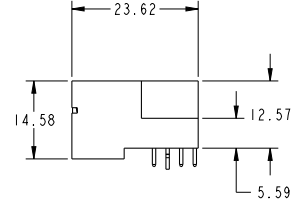
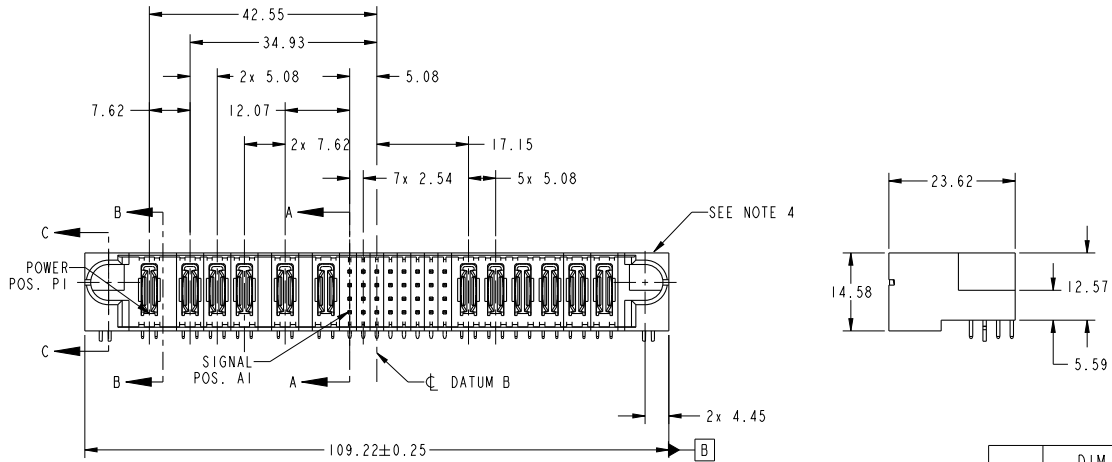
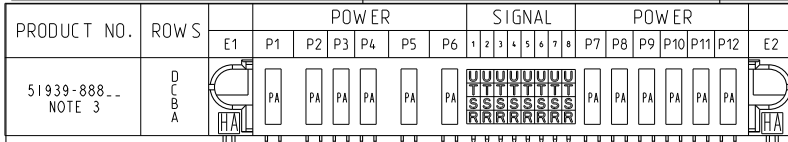
Click to view price, real time Inventory, Delivery & Lifecycle Information:

[FCI](#)

[51939-888LF](#)

For any questions, you can email us directly:

sales@integrated-circuit.com



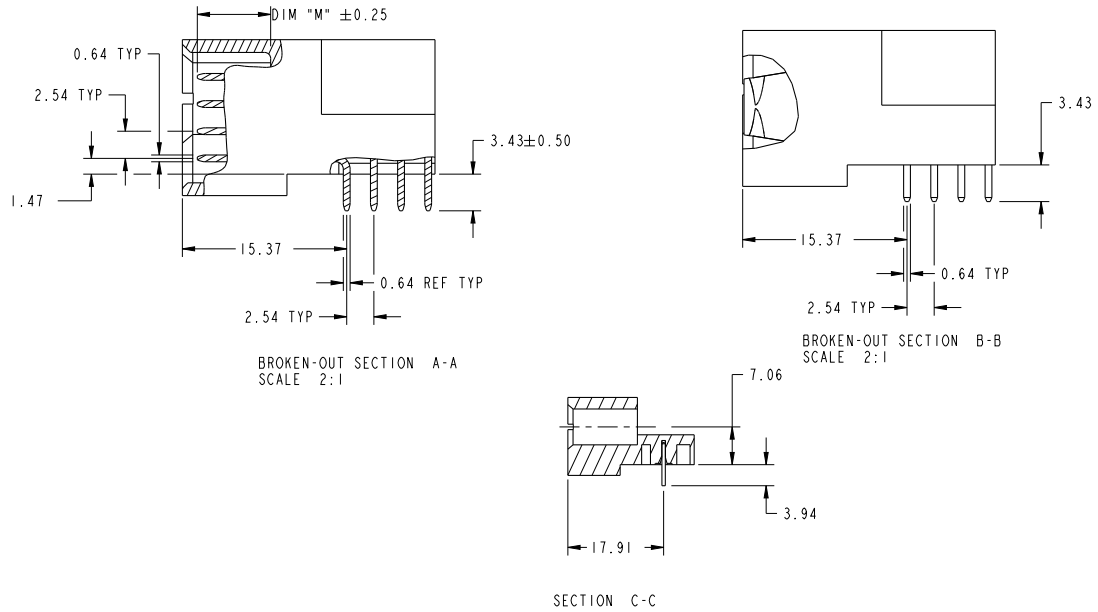
CODE	DIM "M" MATING LENGTH	CONTACT TYPE
U	[6.86]	SIGNAL
T	[6.86]	SIGNAL
S	[6.86]	SIGNAL
R	[6.86]	SIGNAL
PA	[N/A]	POWER
HA	[N/A]	HOLD-DOWN

spec ref	*	dr	Ruan MT	2014/05/29	projection	MM	size	A4	scale	1:1	
tolerance std	ASME Y14.5	TOLERANCES UNLESS OTHERWISE SPECIFIED	eng	Luo Weller	2014/11/05		ec n no	-	rel level	Released	
surface	ASME Y14.5	linear	0.X	±0.5	appr		Pei-Ming Zheng	2014/11/05	product family	PwrBlade	rev
		angular	0°	±2°	www.fci.com	cat. no.	-	Product - Customer Drw	sheet 1 of 4		

Copyright FCI.

Print File - REV C - 2009-08-09

PRODUCT NUMBER
51939-888...
NOTE: 3



dr	Ruan MT	2014/05/29	projection	MM	size	A4	scale	1:1
eng	Luo Weller	2014/11/05			ecn no	-	rel level	
chr	-	-			product family	PwrBlade	Released	
appr	Pei-Ming Zheng	2014/11/05				title	6P + 32S + 6P RIGHT ANGLE STB HEADER	dwg no 51939-888 rev A
www.fci.com			cat. no.	-	Product - Customer Drw			sheet 2 of 4

Print File - REV C - 2009-08-09

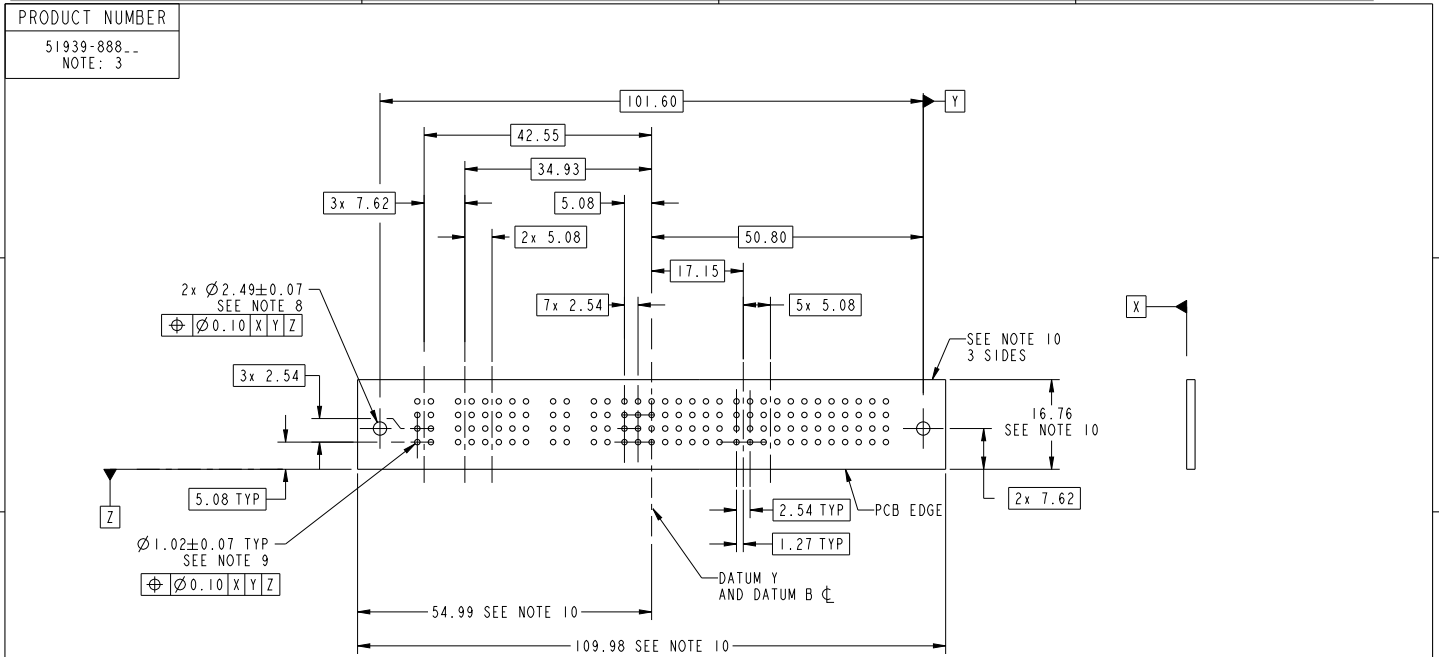
PDS: Rev :A

STATUS:Released

Printed: Nov 05, 2014



Copyright FCI.



RECOMMENDED PCB LAYOUT

dr	Ruan MT	2014/05/29	projection	MM	size	A4	scale	1:1
eng	Luo Weller	2014/11/05			ecn no	-	rel level	Released
chr	-	-			product family	PwrBlade		
appr	Pei-Ming Zheng	2014/11/05			part no	6P + 32S + 6P	dwg no	51939-888
					title	RIGHT ANGLE STB HEADER	rev	A
cat. no.			-		Product - Customer Drw			sheet 3 of 4

Print File - REV C - 2009-06-09



Copyright FCI.

PRODUCT NUMBER

51939-888_..
NOTE: 3

NOTES:

1. DIMENSIONS AND TOLERANCES ARE IN ACCORDANCE WITH ASME Y14.5M, 1994 UNLESS OTHERWISE SPECIFIED.

CONNECTOR NOTES:

2. HOUSING MATERIAL: UL 94 V-0 GLASS FILLED HIGH-TEMP THERMOPLASTIC
POWER CONTACT MATERIAL: COPPER ALLOY
SIGNAL PIN MATERIAL: COPPER ALLOY

3. SEE ITEM 1 & 2 IN PRINT 10064183 FOR PLATING SPEC OF 51939-888 AND 51939-888LF RESPECTIVELY.

4. MANUFACTURER'S NAME, DATE CODE AND OPTIONAL P/N TO APPEAR ON THIS SURFACE. THE MARK CAN BE OMITTED IF THERE IS NOT ENOUGH SPACE ON THIS SURFACE.

5. PRODUCT SPECIFICATION GS-12-149.
APPLICATION SPECIFICATION BUS-20-067.

6. PACKAGED IN TRAYS.

PCB NOTES:

7. ALL HOLE DIAMETERS ARE FINISHED HOLE SIZE.

8. MOUNTING HOLES, WHERE APPLICABLE, ARE UNPLATED.

9. $\varnothing 1.151 \pm 0.025$ DRILLED HOLES PLATED WITH
0.008 MIN SnPb OR Sn OVER 0.03
TO 0.08 Cu PLATING TO ACHIEVE
 $\varnothing 1.02 \pm 0.07$ HOLE.

10. CONNECTOR KEEP-OUT ZONE.

dr	Ruan MT	2014/05/29	projection		MM	size	A4	scale	1:1	
eng	Luo Weller	2014/11/05	chr			-	ecn no	-		
appr	Pei-Ming Zheng	2014/11/05	product family	PwrBlade		rel level	Released			
			title	6P + 32S + 6P RIGHT ANGLE STB HEADER		dwg no	51939-888		rev	A
www.fci.com			cat. no.	-		Product - Customer Drw		sheet 4 of 4		

Print File - REV C - 2009-06-09



Copyright FCI.