

## Excellent Integrated System Limited

Stocking Distributor

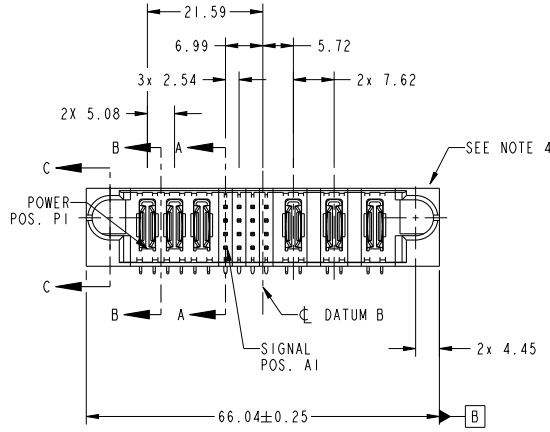
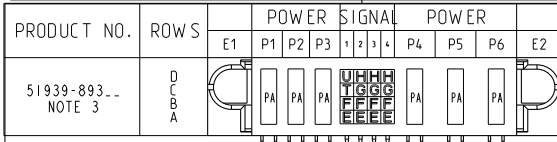
Click to view price, real time Inventory, Delivery & Lifecycle Information:

[FCI](#)

[51939-893LF](#)

For any questions, you can email us directly:

[sales@integrated-circuit.com](mailto:sales@integrated-circuit.com)



CODE	DIM "M" MATING LENGTH	CONTACT TYPE
F	[5.59]	SIGNAL
E	[5.59]	SIGNAL
T	[6.86]	SIGNAL
U	[6.86]	SIGNAL
H	[5.59]	SIGNAL
G	[5.59]	SIGNAL
PA	[N/A]	POWER

spec ref	*	dr	Ruan MT	2014/06/20	projection	MM	size	A4	scale	1:1	
tolerance std	ASME Y14.5	TOLERANCES UNLESS OTHERWISE SPECIFIED	eng	Ruan MT	2014/07/03		ecn no	-	rel level	Released	
surface	ASME Y14.5	linear	0.X	±0.5	chr						-
		angular	0°	±2°	www.fci.com	cat. no.	-	Product - Customer Drw	sheet 1 of 4	rev	A

Print File - REV C - 2009-08-09

1

2

3

PDS: Rev :A

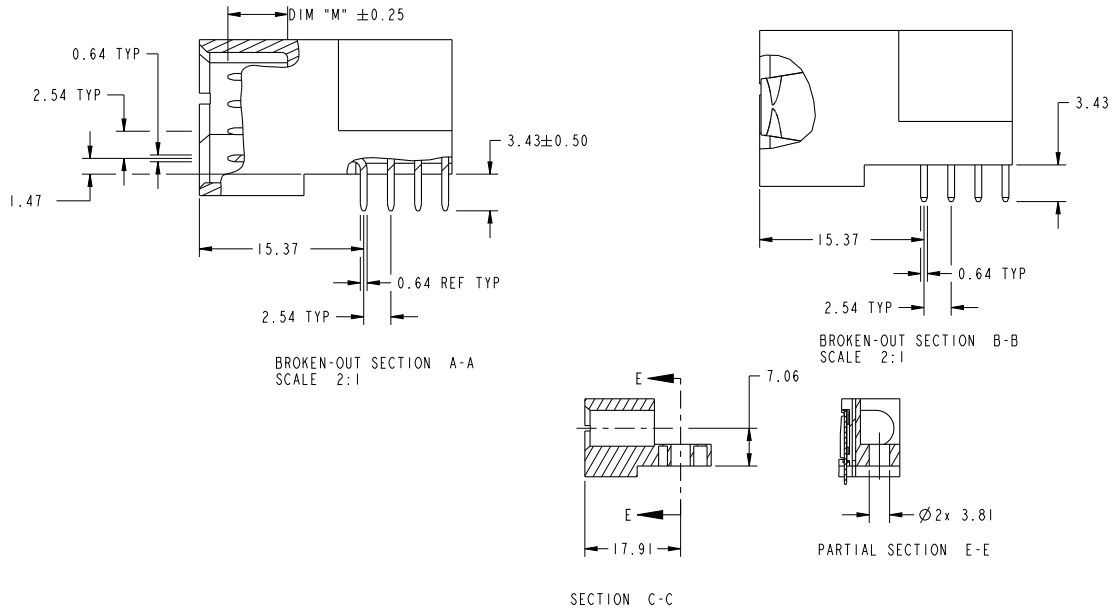
STATUS:Released

Printed: Jul 04, 2014



Copyright FCI.

PRODUCT NUMBER  
51939-893...  
NOTE: 3

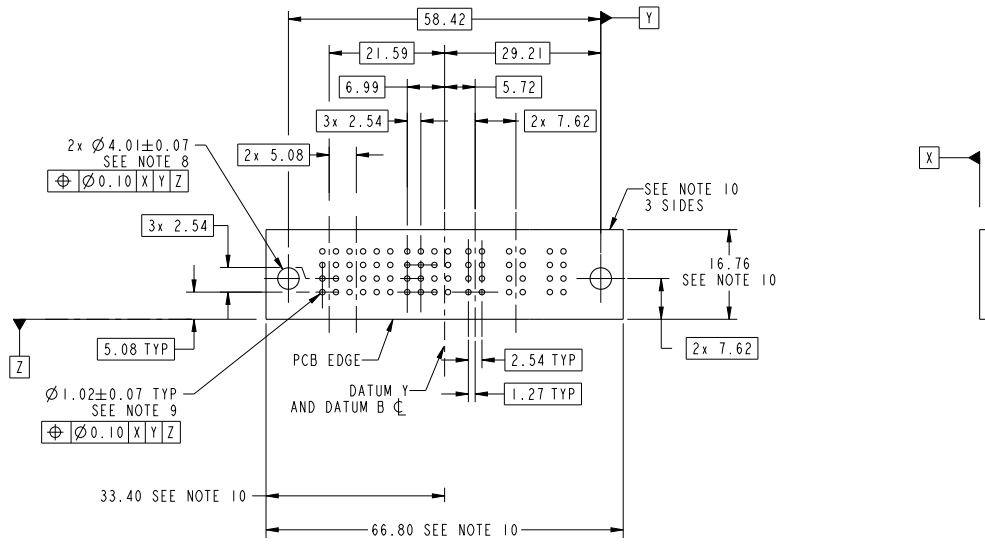


dr	Ruan MT	2014/06/20	projection	MM	size	A4	scale	1:1
eng	Ruan MT	2014/07/03			ecn no	-	rel level	Released
chr	-	-			product family	PwrBlade		
appr	Pei-Ming Zheng	2014/07/03			title	3DCP + 16S + 3ACP		rev
www.fci.com			cat. no.		-		Product - Customer Drw	sheet 2 of 4



Copyright FCI.

PRODUCT NUMBER  
51939-893...  
NOTE: 3



RECOMMENDED PCB LAYOUT

dr	Ruan MT	2014/06/20	projection	MM	size	A4	scale	1:1
eng	Ruan MT	2014/07/03			ecn no	-	rel level	Released
chr	-	-			product family	PwrBlade		
appr	Pei-Ming Zheng	2014/07/03			3DCP + 16S + 3ACP RIGHT ANGLE XXX HEADER		dwg no 51939-893	rev A
www.fci.com			cat. no.	-	Product - Customer Drw		sheet 3 of 4	



Copyright FCI.

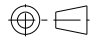


PRODUCT NUMBER
51939-893_.. NOTE: 3

NOTES:

1. DIMENSIONS AND TOLERANCES ARE IN ACCORDANCE WITH ASME Y14.5M, 1994 UNLESS OTHERWISE SPECIFIED.

CONNECTOR NOTES:

- 2. HOUSING MATERIAL: UL 94 V-0 GLASS FILLED HIGH-TEMP THERMOPLASTIC  
POWER CONTACT MATERIAL: COPPER ALLOY  
SIGNAL PIN MATERIAL: COPPER ALLOY
  - 3. SEE ITEM 1 & 2 IN PRINT 10064183 FOR PLATING SPEC OF 51939-893 AND 51939-893LF RESPECTIVELY.
  - 4. MANUFACTURER'S NAME, DATE CODE AND OPTIONAL P/N TO APPEAR ON THIS SURFACE. THE MARK CAN BE OMITTED IF THERE IS NOT ENOUGH SPACE ON THIS SURFACE.
  - 5. PRODUCT SPECIFICATION GS-12-149.  
APPLICATION SPECIFICATION BUS-20-067.
  - 6. PACKAGED IN TRAYS.
- PCB NOTES:
- 7. ALL HOLE DIAMETERS ARE FINISHED HOLE SIZE.
  - 8. MOUNTING HOLES, WHERE APPLICABLE, ARE UNPLATED.
  - 9.  $\varnothing 1.151 \pm 0.025$  DRILLED HOLES PLATED WITH 0.008 MIN SnPb OR Sn OVER 0.03 TO 0.08 Cu PLATING TO ACHIEVE  $\varnothing 1.02 \pm 0.07$  HOLE.
  - 10. CONNECTOR KEEP-OUT ZONE.

dr	Ruan MT	2014/06/20	projection		MM	size	A4	scale	1:1			
eng	Ruan MT	2014/07/03				ecn no	-					
chr	-	-	product family		PwrBlade	rel level		<b>Released</b>				
appr	Pei-Ming Zheng	2014/07/03				title	3DCP + 16S + 3ACP		dwg no	51939-893	rev	A
			cat. no. -			Product - Customer Drw			sheet 4 of 4			

Print File - REV C - 2009-08-09

