

Excellent Integrated System Limited

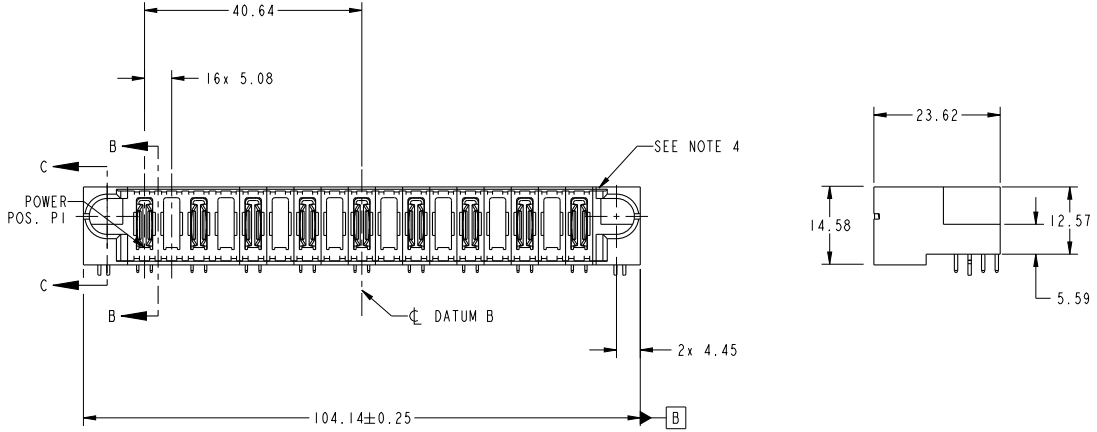
Stocking Distributor

Click to view price, real time Inventory, Delivery & Lifecycle Information:

[FCI](#)
[51939-938LF](#)

For any questions, you can email us directly:
sales@integrated-circuit.com

PRODUCT NO. 51939-938-- NOTE 3	POWER																E2	
	E1	P1	P2	P3	P4	P5	P6	P7	P8	P9	P10	P11	P12	P13	P14	P15		P16
	HA	PA	X	PA	X	PA	X	PA	X	PA	X	PA	X	PA	X	PA	X	PA

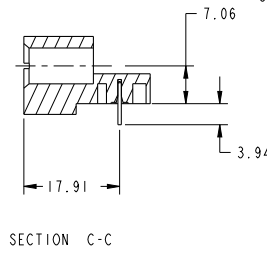
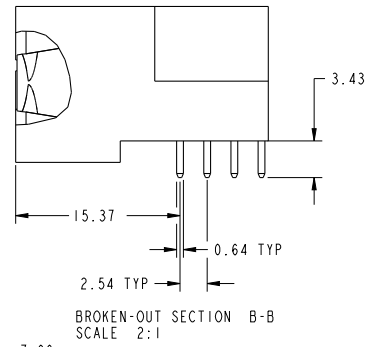


CODE	DIM "M" MATING LENGTH	CONTACT TYPE
PA	[N/A]	POWER
HA	[N/A]	HOLD-DOWN
X	[N/A]	OMITTED

spec ref	*	dr	Luo Weller	2014/12/02	projection	MM	size	A4	scale	1:1												
tolerance std	ASME Y14.5	eng	Ruan MT	2015/01/28			ecn no	-	rel level	Released												
TOLERANCES UNLESS OTHERWISE SPECIFIED		chr	Shao-Qi Kuang	2015/01/27																		
surface	<table border="1"> <tr><td>linear</td><td>0.X</td><td>±0.5</td></tr> <tr><td></td><td>0.XX</td><td>±0.25</td></tr> <tr><td></td><td>0.XXX</td><td>±0.1</td></tr> <tr><td>angular</td><td>0°</td><td>±2°</td></tr> </table>	linear	0.X	±0.5		0.XX	±0.25		0.XXX	±0.1	angular	0°	±2°	appr	Pei-Ming Zheng	2015/01/28	product family	PwrBlade	dwg no	51939-938	rev	A
linear	0.X	±0.5																				
	0.XX	±0.25																				
	0.XXX	±0.1																				
angular	0°	±2°																				
ASME Y14.5		www.fci.com			cat. no.	-	Product - Customer Drw	sheet 1 of 4														

Print File - REV C - 2009-08-09

PRODUCT NUMBER
51939-938...
NOTE: 3



dr	Luo Weller	2014/12/02	projection	MM	size	A4	scale	1:1
eng	Ruan MT	2015/01/28			ecn no	-	rel level	Released
chr	Shao-Qi Kuang	2015/01/27			product family	PwrBlade		
appr	Pei-Ming Zheng	2015/01/28			title	17P		rev
					cat. no.	-	Product - Customer Drw	sheet 2 of 4
					dwg no	51939-938		A

Print File - REV C - 2015-01-28

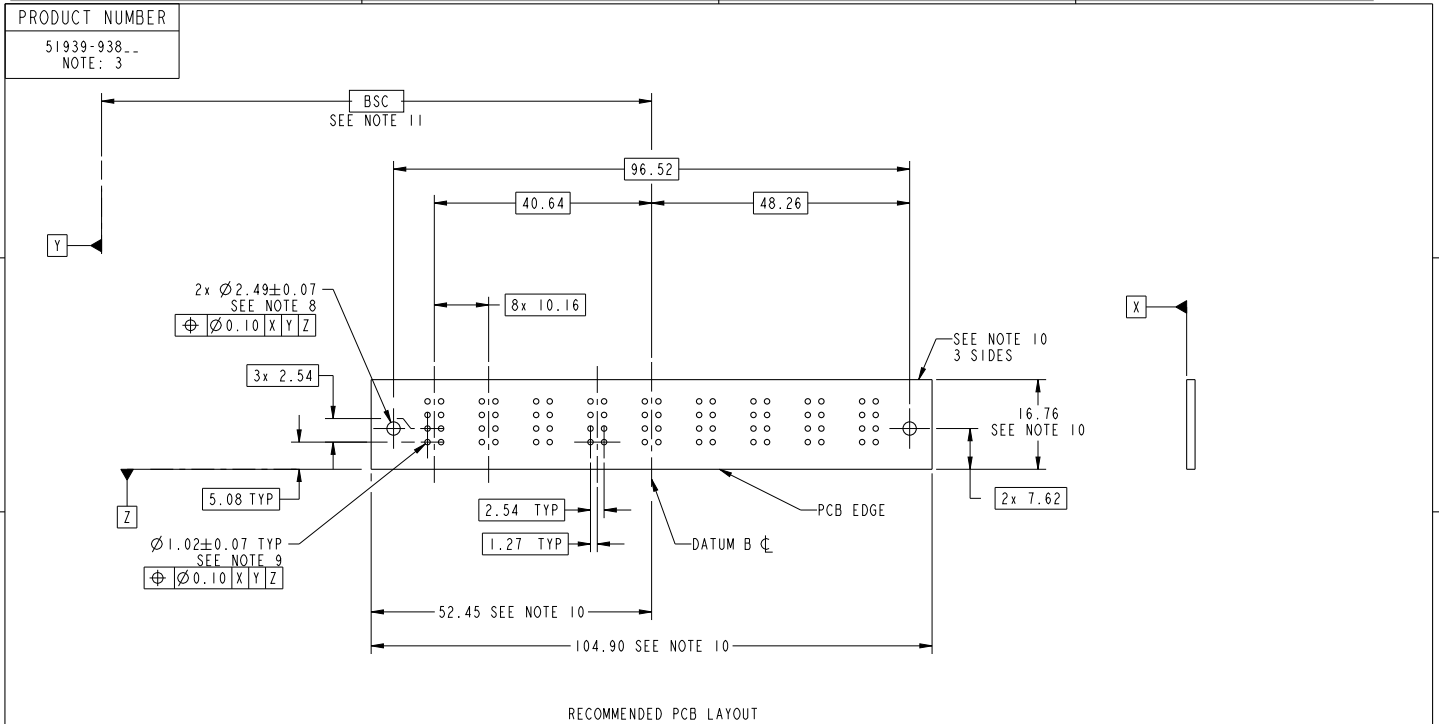
PDS: Rev :A

STATUS:Released

Printed: Jan 28, 2015



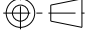

Copyright FCI.



Copyright FCI.

dr	Luo Weller	2014/12/02	projection	MM	size	A4	scale	1:1	
eng	Ruan MT	2015/01/28			ecn no	-	rel level	Released	
chr	Shao-Qi Kuang	2015/01/27			product family	PwrBlade			
appr	Pei-Ming Zheng	2015/01/28				17P			
www.fci.com			RIGHT ANGLE STB HEADER			51939-938	A		
cat. no.			-			Product - Customer Drw		sheet 3 of 4	

Print File - REV C - 2009-08-09

PRODUCT NUMBER		51939-938_		NOTE: 3													
NOTES:																	
1. DIMENSIONS AND TOLERANCES ARE IN ACCORDANCE WITH ASME Y14.5M, 1994 UNLESS OTHERWISE SPECIFIED.																	
CONNECTOR NOTES:																	
②. HOUSING MATERIAL: UL 94 V-0 GLASS FILLED HIGH-TEMP THERMOPLASTIC POWER CONTACT MATERIAL: COPPER ALLOY SIGNAL PIN MATERIAL: COPPER ALLOY																	
3. SEE ITEM 1 & 2 IN PRINT 10064183 FOR PLATING SPEC OF 51939-938 AND 51939-938LF RESPECTIVELY.																	
④. MANUFACTURER'S NAME, DATE CODE AND OPTIONAL P/N TO APPEAR ON THIS SURFACE. THE MARK CAN BE OMITTED IF THERE IS NOT ENOUGH SPACE ON THIS SURFACE.																	
5. PRODUCT SPECIFICATION GS-12-149. APPLICATION SPECIFICATION BUS-20-067.																	
6. PACKAGED IN TRAYS.																	
PCB NOTES:																	
7. ALL HOLE DIAMETERS ARE FINISHED HOLE SIZE.																	
⑧. MOUNTING HOLES, WHERE APPLICABLE, ARE UNPLATED.																	
⑨. $\varnothing 1.151 \pm 0.025$ DRILLED HOLES PLATED WITH 0.008 MIN SnPb OR Sn OVER 0.03 TO 0.08 Cu PLATING TO ACHIEVE $\varnothing 1.02 \pm 0.07$ HOLE.																	
⑩. CONNECTOR KEEP-OUT ZONE.																	
⑪. DATUM AND BASIC DIMENSIONS ARE ESTABLISHED BY CUSTOMER.																	
<table border="1"> <tr> <td>dr</td> <td>Luo Weller</td> <td>2014/12/02</td> </tr> <tr> <td>eng</td> <td>Ruan MT</td> <td>2015/01/28</td> </tr> <tr> <td>chr</td> <td>Shao-Qi Kuang</td> <td>2015/01/27</td> </tr> <tr> <td>appr</td> <td>Pei-Ming Zheng</td> <td>2015/01/28</td> </tr> </table>		dr	Luo Weller	2014/12/02	eng	Ruan MT	2015/01/28	chr	Shao-Qi Kuang	2015/01/27	appr	Pei-Ming Zheng	2015/01/28	projection 		size A4 scale 1:1	
dr	Luo Weller	2014/12/02															
eng	Ruan MT	2015/01/28															
chr	Shao-Qi Kuang	2015/01/27															
appr	Pei-Ming Zheng	2015/01/28															
www.fci.com			product family PwrBlade		rel level Released												
		title 17P RIGHT ANGLE STB HEADER		dwg no 51939-938 rev A													
cat. no. -		Product - Customer Drw		sheet 4 of 4													



Copyright FCI.