

Excellent Integrated System Limited

Stocking Distributor

Click to view price, real time Inventory, Delivery & Lifecycle Information:

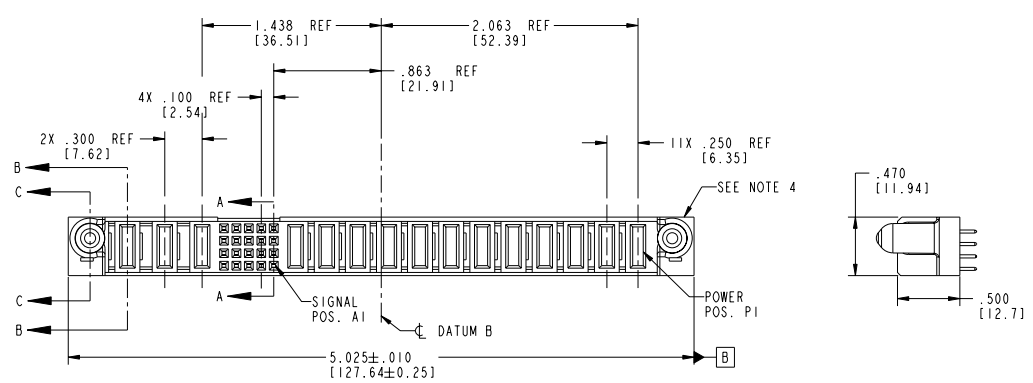
[FCI](#)
[51940-101](#)

For any questions, you can email us directly:
sales@integrated-circuit.com

Tous droits strictement réservés. Reproduction ou communication à des fins inférieures sans aucune forme que ce soit sans autorisation écrite du propriétaire. Propriété de FCI. Droits de reproduction FCI.

All rights strictly reserved. Reproduction or issue in any form whatever is not permitted without written authority from the proprietor. Property of FCI. Copyright FCI.

PRODUCT NO.	ROWS	POWER			SIGNAL			POWER															
		E2	P15	P14	P13	5	4	3	2	1	P12	P11	P10	P9	P8	P7	P6	P5	P4	P3	P2	P1	E1
51940-101... NOTE:3	D C B A																						



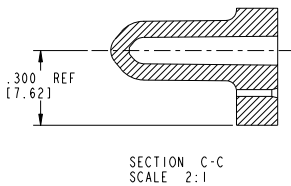
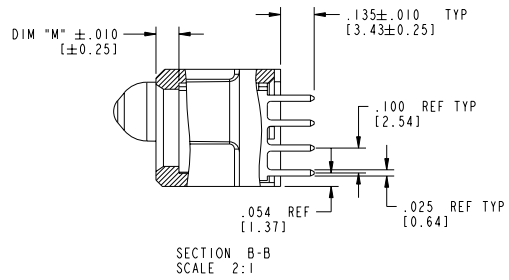
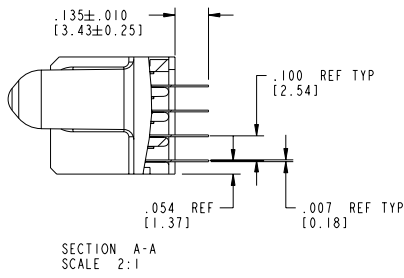
CODE	DIM "M" MATING LENGTH	CONTACT TYPE
E	N/A [N/A]	SIGNAL
PA	.042 [1.07]	POWER
PD	.092 [2.34]	POWER

mat'l code		SEE NOTE 2	tolerances unless otherwise specified		CUSTOMER	FCI	www.fciconnect.com
ltr	ecm no.	dr	date	linear	COPY	projection	title
A	V04-0853	TAB	09/01/04	linear	XXX±.01/0.0X±0.13		12P + 20S + 3ACP
B	D605-0500	CS	11/24/05	linear	XXXX±.0020/0.0XX±0.051		VERTICAL SOLDER RECEPT
				angles	0°±		product family
				dr	T. BRUNGARD	09/01/04	PwrBlade
				enr	M. GRAY	09/01/04	code
				chr	M. GRAY	09/01/04	213
				oppd	M. GRAY	09/01/04	sheet
sheet index	revision sheet	B	B	B	B		1 of 4
		1	2	3	4		

Tous droits strictement réservés. Reproduction ou communication, en des lieux interdite sans aucune forme, que ce soit sans autorisation écrite du propriétaire. Propriété de FCI. Droits de reproduction FCI.

All rights strictly reserved. Reproduction or issue in third parties in any form wherever is not permitted without written authority from the proprietor. Property of FCI. Copyright FCI.

PRODUCT NUMBER
51940-101
NOTE: 3



mat'l code		SEE NOTE 2	tolerances unless otherwise specified		CUSTOMER	FCI www.fciconnect.com	
ltr	ecm no.	dr	date	linear	projection	title	
B				$XX \pm .01/0$ $XX \pm 0.3$ $XXX \pm .005/0$ $XX \pm 0.13$ $XXXX \pm .0020/0$ $XX \pm 0.051$		12P + 20S + 3ACP VERTICAL SOLDER RECEPT	
				angles	INCH/MM	product family	PwrBlade
				dr	scale	size	code
				engr	1:1	dwg no	213
				chr		51940-101	sheet
				appd			2 of 4
sheet index	revision sheet						

Pro/E

code code 22526

PDM: Rev:B

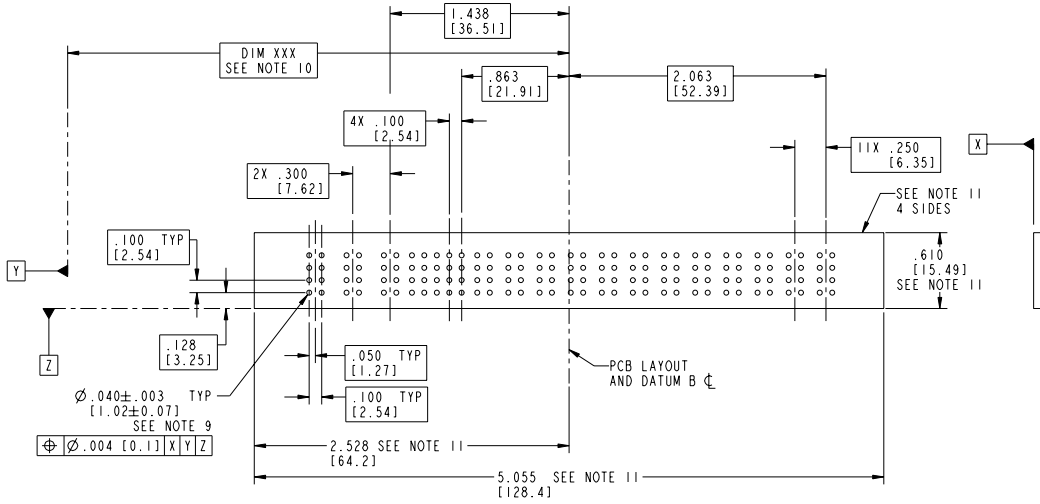
STATUS: **Released**

Printed: Dec 20, 2010

Tous droits strictement réservés. Reproduction ou communication, en des lieux interdite sans aucune forme que ce soit sans autorisation écrite du propriétaire. Propriété de c FCI. Droits de reproduction FCI.

All rights strictly reserved. Reproduction or issue in third parties in any form wherever is not permitted without written authority from the proprietor. Property of FCI. Copyright FCI.

PRODUCT NUMBER
51940-101
NOTE: 3



mat'l code		SEE NOTE 2	tolerances unless otherwise specified	CUSTOMER	FCI	
ltr	ecm no.	dr	date	COPY	www.fciconnect.com	
B				linear	projection	title 12P + 20S + 3ACP
				angles		VERTICAL SOLDER RECEPT
				dr	T. BRUNGARD	09/01/04
				engr	M. GRAY	09/01/04
				chr	M. GRAY	09/01/04
				appd	M. GRAY	09/01/04
sheet index	revision sheet			INCH/MM	product family	PwrBlade
				scale	size	dwg no
				1:1	A	51940-101
						code
						22526
						213
						3 of 4

PDM: Rev:B

STATUS: Released

Printed: Dec 20, 2010

Tous droits strictement réservés. Reproduction ou communication, en des lieux interdites sans aucune forme, que ce soit sans autorisation écrite du propriétaire. Propriété de FCI. Droits de reproduction FCI.

All rights strictly reserved. Reproduction or issue in third parties in any form wherever is not permitted without written authority from the proprietor. Property of FCI. Copyright FCI.

PRODUCT NUMBER
51940-101
NOTE: 3

NOTES:

1. DIMENSIONS AND TOLERANCES ARE IN ACCORDANCE WITH ASME Y14.5M, 1994 UNLESS OTHERWISE SPECIFIED.

CONNECTOR NOTES:

2 HOUSING MATERIAL: UL 94 V-0 GLASS FILLED

HIGH-TEMP THERMOPLASTIC
POWER CONTACT MATERIAL: COPPER ALLOY
SIGNAL PIN MATERIAL: COPPER ALLOY

3. PLATING:

51940-101 Singal Pin: 30u"/0.76um Au OVER 50u"/1.27um Ni ON THE CONTACT AREA
AND 100u"/2.54um SnPb PLATING OVER 50u"/1.27um Ni ON THE TERMINATION SECTION.
Power Pin: 30u"/0.76um Au OVER 50u"/1.27um Ni ON THE CONTACT AREA,
AND 100u"/2.54um SnPb PLATING OVER 50u"/1.27um Ni ON THE TERMINATION SECTION.

51940-101LF Singal Pin: 30u"/0.76um Au OVER 50u"/1.27um Ni ON THE CONTACT AREA
AND 78u"/2.00um Sn PLATING OVER 50u"/1.27um Ni ON THE TERMINATION SECTION.
Power Pin: 30u"/0.76um Au OVER 50u"/1.27um Ni ON THE CONTACT AREA,
AND 78u"/2.00um Sn PLATING OVER 50u"/1.27um Ni ON THE TERMINATION SECTION.

PART NUMBER 51940-101LF MEETS EUROPEAN UNION DIRECTIVE AND OTHER COUNTRY REGULATIONS AS DESCRIBED IN GS-22-008.

THE HOUSING WILL WITHSTAND EXPOSURE TO 260° PEAK TEMPERATURE FOR 10 SECONDS IN A WAVE SOLDER APPLICATION WITH A CIRCUIT BOARD.

4 MANUFACTURER'S NAME, P/N, AND DATE CODE TO APPEAR ON THIS SURFACE.

5. PRODUCT SPECIFICATION GS-12-149.
APPLICATION SPECIFICATION BUS-20-067.

6. PACKAGED IN TRAYS.

PCB NOTES:

7. ALL HOLE DIAMETERS ARE FINISHED HOLE SIZE.

8 MOUNTING HOLES, WHERE APPLICABLE, ARE UNPLATED.

9 $\varnothing .0453 \pm .0010$ [1.151 ± 0.025] DRILLED HOLES PLATED WITH
.0003 [0.008] MIN SnPb OVER .001 [0.03]
TO .003 [0.08] Cu PLATING TO ACHIEVE
 $\varnothing .040 \pm .003$ [1.02 ± .07] HOLE.

10 "DIM XXX" TO BE DETERMINED BY THE CUSTOMER.

11 CONNECTOR KEEP-OUT ZONE.

mat'l code		SEE NOTE 2	tolerances unless otherwise specified	CUSTOMER	
ltr	ecm no.	dr	date	projection	www.fciconnect.com
B				12P + 20S + 3ACP	
				VERTICAL SOLDER RECEPT	
				product family	PwrBlade
				size	code
				A	213
				dwg no	sheet
				51940-101	4 of 4
sheet index	revision sheet			scale	
				1:1	

FCI logo and title block information including product name, family, size, and drawing number.

1 | 2

3 |

4

Pro/E

code code 22526

PDM: Rev:B

STATUS: Released

Printed: Dec 20, 2010