

Excellent Integrated System Limited

Stocking Distributor

Click to view price, real time Inventory, Delivery & Lifecycle Information:

[FCI](#)
[51940-110](#)

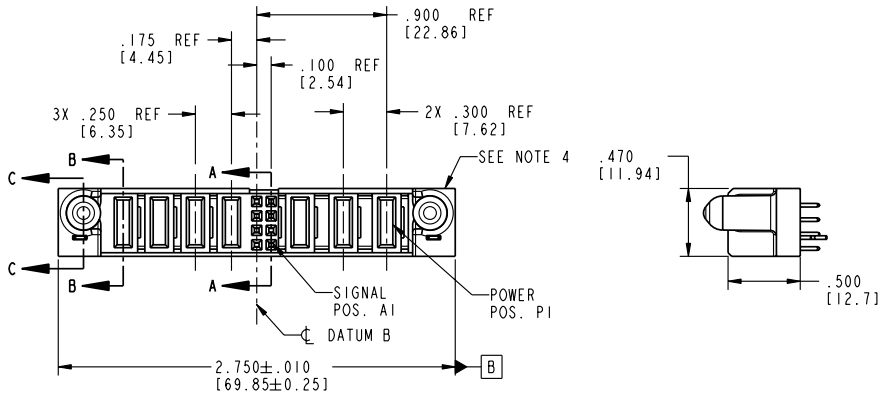
For any questions, you can email us directly:
sales@integrated-circuit.com

Tous droits strictement réservés. Reproduction ou communication, o des liens interdite sous quelque forme que ce soit sans autorisation écrite du propriétaire. Propriété de c FCI. Droits de reproduction FCI.

FCI

All rights strictly reserved. Reproduction or issue to third parties in any form whatever is not permitted without written authority from the proprietor. Property of FCI. Copyright FCI.

PRODUCT NO.	ROWS	POWER				SIG	POWER				
		E2	P7	P6	P5	P4	2 1	P3	P2	P1	E1
51940-110	D C B A										



CODE	DIM "M" MATING LENGTH	CONTACT TYPE
E	N/A [N/A]	SIGNAL
PA	.042 [1.07]	POWER
PD	.092 [2.34]	POWER
HA	N/A [N/A]	HOLD-DOWN

mat'l code		SEE NOTE 2		tolerances unless otherwise specified		CUSTOMER		FCI www.fciconnect.com	
litr	ecn no.	dr	date	linear	.XX±.01/0.X±0.3	projection	COPY	title	3ACP + 8S + 4P
A	V04-1111	TAB	11/15/04	angles	.XXX±.005/0.XX±0.13			VERTICAL SOLDER RECEPT	
				dr	.XXX±.002/0.XX±0.051	INCH/MM	product family	PwrBlade	code
				engr	0°±2°	scale	size	dwg no	213
				chr		1:1	51940-110	sheet	1 of 4
				appd					
sheet index	revision sheet	A	A	A	A				
		1	2	3	4				

Pro/E

cage code 22526

PDM: Rev:A

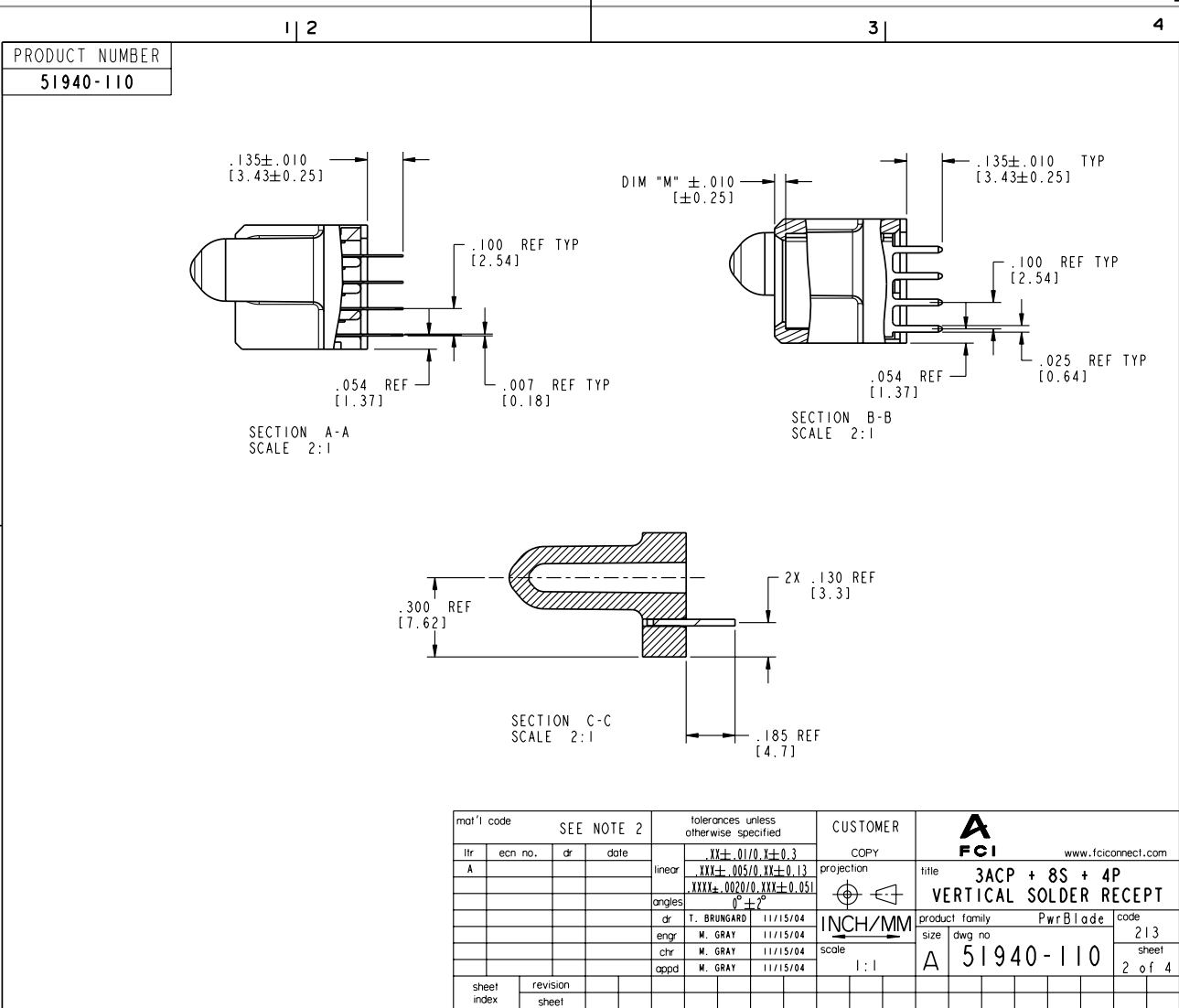
STATUS: **Released**

Printed: Dec 20, 2010

Tous droits strictement réservés. Reproduction ou communication, o des liens interdite sous quelque forme que ce soit sans autorisation écrite du propriétaire. Propriété de c FCI. Droits de reproduction FCI.

FCI

All rights strictly reserved. Reproduction or issue to third parties in any form whatever is not permitted without written authority from the proprietor. Property of FCI. Copyright FCI.



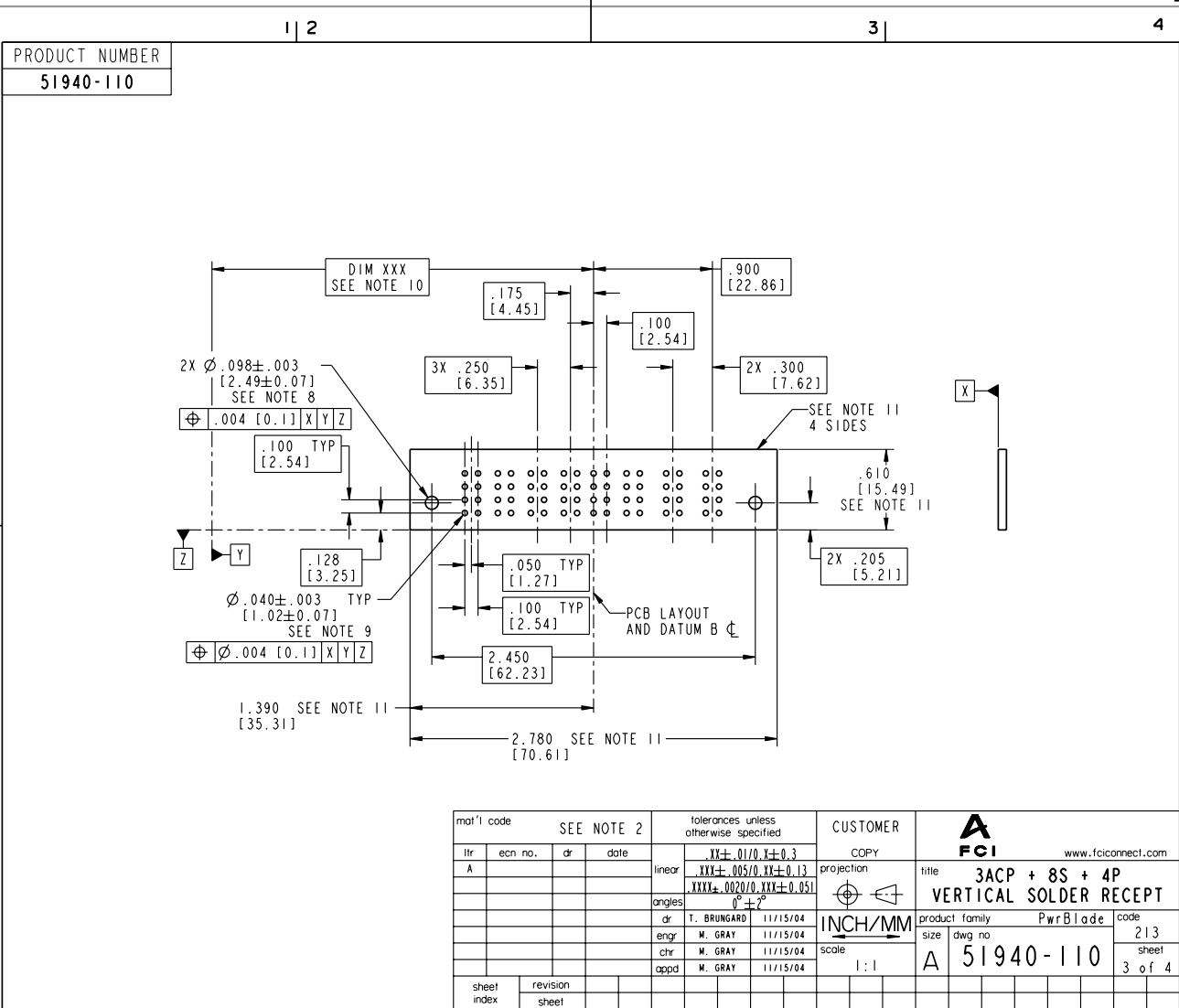
mat'l code		SEE NOTE 2		tolerances unless otherwise specified		CUSTOMER		FCI www.fciconnect.com	
lfr	ecn no.	dr	date	linear	XX±.01/0.X±0.3	projection	COPY	title	3ACP + 8S + 4P
A				linear	.XXX±.005/0.XX±0.13	INCH/MM		VERTICAL SOLDER RECEPT	
				angles	.XXX±.002/0.XX±0.051	scale	product family	PwrBlade	code
				dr	T. BRUNGARD 11/15/04	1:1	size	dwg no	213
				engr	M. GRAY 11/15/04		A	51940-110	sheet
				chr	M. GRAY 11/15/04				2 of 4
				appd	M. GRAY 11/15/04				
sheet index	revision sheet							cage code	22526

Pro/E 3 cage code 22526 4

Tous droits strictement réservés. Reproduction ou communication, o des liens interdite sous quelque forme que ce soit sans autorisation écrite du propriétaire. Propriété de c FCI. Droits de reproduction FCI.

FCI

All rights strictly reserved. Reproduction or issue to third parties in any form whatever is not permitted without written authority from the proprietor. Property of FCI. Copyright FCI.



Pro/E cage code 22526

PDM: Rev:A STATUS:Released Printed: Dec 20, 2010

Tous droits strictement réservés. Reproduction ou communication, o des liens interdite sous quelque forme que ce soit sans autorisation écrite du propriétaire. Propriété de c FCI. Droits de reproduction FCI.

FCI

All rights strictly reserved. Reproduction or issue to third parties in any form whatever is not permitted without written authority from the proprietor. Property of FCI. Copyright FCI.

	1 2	3	4																																																																																																							
<table border="1" style="width: 100%; border-collapse: collapse;"> <tr> <td style="width: 20%;">PRODUCT NUMBER</td> <td colspan="3">51940-110</td> </tr> <tr> <td>NOTES:</td> <td colspan="3"> <p>1. DIMENSIONS AND TOLERANCES ARE IN ACCORDANCE WITH ASME Y14.5M, 1994 UNLESS OTHERWISE SPECIFIED.</p> <p>CONNECTOR NOTES:</p> <p>② HOUSING MATERIAL: UL 94 V-0 GLASS FILLED HIGH-TEMP THERMOPLASTIC POWER CONTACT MATERIAL: COPPER ALLOY SIGNAL PIN MATERIAL: COPPER ALLOY</p> <p>3. PLATING: SIGNAL PINS: 30u"/0.76um Au OVER 50u"/1.27um Ni POWER CONTACTS: 50u"/1.27um Ni UNDER ALL WITH 30u"/0.76um Au ON CONTACT AREA AND SnPb ON PCB INTERFACE</p> <p>④ MANUFACTURER'S NAME, P/N, AND DATE CODE TO APPEAR ON THIS SURFACE.</p> <p>5. PRODUCT SPECIFICATION GS-12-149. APPLICATION SPECIFICATION BUS-20-067.</p> <p>6. PACKAGED IN TRAYS.</p> <p>PCB NOTES:</p> <p>7. ALL HOLE DIAMETERS ARE FINISHED HOLE SIZE.</p> <p>⑧ MOUNTING HOLES, WHERE APPLICABLE, ARE UNPLATED.</p> <p>⑨ $\varnothing .0453 \pm .0010$ [1.151 ± 0.025] DRILLED HOLES PLATED WITH .0003 [0.008] MIN SnPb OVER .001 [0.03] TO .003 [0.08] Cu PLATING TO ACHIEVE $\varnothing .040 \pm .003$ [1.02 ± .07] HOLE.</p> <p>⑩ "DIM XXX" TO BE DETERMINED BY THE CUSTOMER.</p> <p>⑪ CONNECTOR KEEP-OUT ZONE.</p> </td> </tr> <tr> <td colspan="4"> <table border="1" style="width: 100%; border-collapse: collapse;"> <tr> <td colspan="2">mat'l code</td> <td colspan="2">SEE NOTE 2</td> <td colspan="2">tolerances unless otherwise specified</td> <td colspan="2">CUSTOMER</td> <td colspan="2" style="text-align: center;">FCI www.fciconnect.com</td> </tr> <tr> <td>litr</td> <td>ecn no.</td> <td>dr</td> <td>date</td> <td>linear</td> <td>XX±.01/0.X±0.3</td> <td>projection</td> <td>COPY</td> <td colspan="2">title 3ACP + 8S + 4P</td> </tr> <tr> <td>A</td> <td></td> <td></td> <td></td> <td>angles</td> <td>.XXX±.005/0.XX±0.13</td> <td rowspan="2" style="text-align: center;"></td> <td rowspan="2" style="text-align: center;">INCH/MM</td> <td colspan="2">product family PwrBlade</td> </tr> <tr> <td></td> <td></td> <td></td> <td></td> <td>dr</td> <td>.XXX±.002/0.XX±0.051</td> <td>size</td> <td>dwg no</td> <td>code</td> </tr> <tr> <td></td> <td></td> <td></td> <td></td> <td>enr</td> <td>0° ± 2°</td> <td>scale</td> <td>A</td> <td>51940-110</td> <td>213</td> </tr> <tr> <td></td> <td></td> <td></td> <td></td> <td>chr</td> <td>0° ± 2°</td> <td>1:1</td> <td></td> <td></td> <td>sheet</td> </tr> <tr> <td></td> <td></td> <td></td> <td></td> <td>appd</td> <td></td> <td></td> <td></td> <td></td> <td>4 of 4</td> </tr> <tr> <td>sheet index</td> <td>revision sheet</td> <td></td> <td></td> <td></td> <td></td> <td></td> <td></td> <td></td> <td></td> </tr> </table> </td> </tr> <tr> <td colspan="4"> <table border="1" style="width: 100%; border-collapse: collapse;"> <tr> <td style="width: 25%;"></td> <td style="width: 25%; text-align: center;">1 2</td> <td style="width: 25%; text-align: center;">3 </td> <td style="width: 25%; text-align: center;">4</td> </tr> <tr> <td colspan="2">Pro/E</td> <td colspan="2" style="text-align: center;">cage code 22526</td> </tr> </table> </td> </tr> </table>				PRODUCT NUMBER	51940-110			NOTES:	<p>1. DIMENSIONS AND TOLERANCES ARE IN ACCORDANCE WITH ASME Y14.5M, 1994 UNLESS OTHERWISE SPECIFIED.</p> <p>CONNECTOR NOTES:</p> <p>② HOUSING MATERIAL: UL 94 V-0 GLASS FILLED HIGH-TEMP THERMOPLASTIC POWER CONTACT MATERIAL: COPPER ALLOY SIGNAL PIN MATERIAL: COPPER ALLOY</p> <p>3. PLATING: SIGNAL PINS: 30u"/0.76um Au OVER 50u"/1.27um Ni POWER CONTACTS: 50u"/1.27um Ni UNDER ALL WITH 30u"/0.76um Au ON CONTACT AREA AND SnPb ON PCB INTERFACE</p> <p>④ MANUFACTURER'S NAME, P/N, AND DATE CODE TO APPEAR ON THIS SURFACE.</p> <p>5. PRODUCT SPECIFICATION GS-12-149. APPLICATION SPECIFICATION BUS-20-067.</p> <p>6. PACKAGED IN TRAYS.</p> <p>PCB NOTES:</p> <p>7. ALL HOLE DIAMETERS ARE FINISHED HOLE SIZE.</p> <p>⑧ MOUNTING HOLES, WHERE APPLICABLE, ARE UNPLATED.</p> <p>⑨ $\varnothing .0453 \pm .0010$ [1.151 ± 0.025] DRILLED HOLES PLATED WITH .0003 [0.008] MIN SnPb OVER .001 [0.03] TO .003 [0.08] Cu PLATING TO ACHIEVE $\varnothing .040 \pm .003$ [1.02 ± .07] HOLE.</p> <p>⑩ "DIM XXX" TO BE DETERMINED BY THE CUSTOMER.</p> <p>⑪ CONNECTOR KEEP-OUT ZONE.</p>			<table border="1" style="width: 100%; border-collapse: collapse;"> <tr> <td colspan="2">mat'l code</td> <td colspan="2">SEE NOTE 2</td> <td colspan="2">tolerances unless otherwise specified</td> <td colspan="2">CUSTOMER</td> <td colspan="2" style="text-align: center;">FCI www.fciconnect.com</td> </tr> <tr> <td>litr</td> <td>ecn no.</td> <td>dr</td> <td>date</td> <td>linear</td> <td>XX±.01/0.X±0.3</td> <td>projection</td> <td>COPY</td> <td colspan="2">title 3ACP + 8S + 4P</td> </tr> <tr> <td>A</td> <td></td> <td></td> <td></td> <td>angles</td> <td>.XXX±.005/0.XX±0.13</td> <td rowspan="2" style="text-align: center;"></td> <td rowspan="2" style="text-align: center;">INCH/MM</td> <td colspan="2">product family PwrBlade</td> </tr> <tr> <td></td> <td></td> <td></td> <td></td> <td>dr</td> <td>.XXX±.002/0.XX±0.051</td> <td>size</td> <td>dwg no</td> <td>code</td> </tr> <tr> <td></td> <td></td> <td></td> <td></td> <td>enr</td> <td>0° ± 2°</td> <td>scale</td> <td>A</td> <td>51940-110</td> <td>213</td> </tr> <tr> <td></td> <td></td> <td></td> <td></td> <td>chr</td> <td>0° ± 2°</td> <td>1:1</td> <td></td> <td></td> <td>sheet</td> </tr> <tr> <td></td> <td></td> <td></td> <td></td> <td>appd</td> <td></td> <td></td> <td></td> <td></td> <td>4 of 4</td> </tr> <tr> <td>sheet index</td> <td>revision sheet</td> <td></td> <td></td> <td></td> <td></td> <td></td> <td></td> <td></td> <td></td> </tr> </table>				mat'l code		SEE NOTE 2		tolerances unless otherwise specified		CUSTOMER		FCI www.fciconnect.com		litr	ecn no.	dr	date	linear	XX±.01/0.X±0.3	projection	COPY	title 3ACP + 8S + 4P		A				angles	.XXX±.005/0.XX±0.13		INCH/MM	product family PwrBlade						dr	.XXX±.002/0.XX±0.051	size	dwg no	code					enr	0° ± 2°	scale	A	51940-110	213					chr	0° ± 2°	1:1			sheet					appd					4 of 4	sheet index	revision sheet									<table border="1" style="width: 100%; border-collapse: collapse;"> <tr> <td style="width: 25%;"></td> <td style="width: 25%; text-align: center;">1 2</td> <td style="width: 25%; text-align: center;">3 </td> <td style="width: 25%; text-align: center;">4</td> </tr> <tr> <td colspan="2">Pro/E</td> <td colspan="2" style="text-align: center;">cage code 22526</td> </tr> </table>					1 2	3	4	Pro/E		cage code 22526	
PRODUCT NUMBER	51940-110																																																																																																									
NOTES:	<p>1. DIMENSIONS AND TOLERANCES ARE IN ACCORDANCE WITH ASME Y14.5M, 1994 UNLESS OTHERWISE SPECIFIED.</p> <p>CONNECTOR NOTES:</p> <p>② HOUSING MATERIAL: UL 94 V-0 GLASS FILLED HIGH-TEMP THERMOPLASTIC POWER CONTACT MATERIAL: COPPER ALLOY SIGNAL PIN MATERIAL: COPPER ALLOY</p> <p>3. PLATING: SIGNAL PINS: 30u"/0.76um Au OVER 50u"/1.27um Ni POWER CONTACTS: 50u"/1.27um Ni UNDER ALL WITH 30u"/0.76um Au ON CONTACT AREA AND SnPb ON PCB INTERFACE</p> <p>④ MANUFACTURER'S NAME, P/N, AND DATE CODE TO APPEAR ON THIS SURFACE.</p> <p>5. PRODUCT SPECIFICATION GS-12-149. APPLICATION SPECIFICATION BUS-20-067.</p> <p>6. PACKAGED IN TRAYS.</p> <p>PCB NOTES:</p> <p>7. ALL HOLE DIAMETERS ARE FINISHED HOLE SIZE.</p> <p>⑧ MOUNTING HOLES, WHERE APPLICABLE, ARE UNPLATED.</p> <p>⑨ $\varnothing .0453 \pm .0010$ [1.151 ± 0.025] DRILLED HOLES PLATED WITH .0003 [0.008] MIN SnPb OVER .001 [0.03] TO .003 [0.08] Cu PLATING TO ACHIEVE $\varnothing .040 \pm .003$ [1.02 ± .07] HOLE.</p> <p>⑩ "DIM XXX" TO BE DETERMINED BY THE CUSTOMER.</p> <p>⑪ CONNECTOR KEEP-OUT ZONE.</p>																																																																																																									
<table border="1" style="width: 100%; border-collapse: collapse;"> <tr> <td colspan="2">mat'l code</td> <td colspan="2">SEE NOTE 2</td> <td colspan="2">tolerances unless otherwise specified</td> <td colspan="2">CUSTOMER</td> <td colspan="2" style="text-align: center;">FCI www.fciconnect.com</td> </tr> <tr> <td>litr</td> <td>ecn no.</td> <td>dr</td> <td>date</td> <td>linear</td> <td>XX±.01/0.X±0.3</td> <td>projection</td> <td>COPY</td> <td colspan="2">title 3ACP + 8S + 4P</td> </tr> <tr> <td>A</td> <td></td> <td></td> <td></td> <td>angles</td> <td>.XXX±.005/0.XX±0.13</td> <td rowspan="2" style="text-align: center;"></td> <td rowspan="2" style="text-align: center;">INCH/MM</td> <td colspan="2">product family PwrBlade</td> </tr> <tr> <td></td> <td></td> <td></td> <td></td> <td>dr</td> <td>.XXX±.002/0.XX±0.051</td> <td>size</td> <td>dwg no</td> <td>code</td> </tr> <tr> <td></td> <td></td> <td></td> <td></td> <td>enr</td> <td>0° ± 2°</td> <td>scale</td> <td>A</td> <td>51940-110</td> <td>213</td> </tr> <tr> <td></td> <td></td> <td></td> <td></td> <td>chr</td> <td>0° ± 2°</td> <td>1:1</td> <td></td> <td></td> <td>sheet</td> </tr> <tr> <td></td> <td></td> <td></td> <td></td> <td>appd</td> <td></td> <td></td> <td></td> <td></td> <td>4 of 4</td> </tr> <tr> <td>sheet index</td> <td>revision sheet</td> <td></td> <td></td> <td></td> <td></td> <td></td> <td></td> <td></td> <td></td> </tr> </table>				mat'l code		SEE NOTE 2		tolerances unless otherwise specified		CUSTOMER		FCI www.fciconnect.com		litr	ecn no.	dr	date	linear	XX±.01/0.X±0.3	projection	COPY	title 3ACP + 8S + 4P		A				angles	.XXX±.005/0.XX±0.13		INCH/MM	product family PwrBlade						dr	.XXX±.002/0.XX±0.051	size	dwg no	code					enr	0° ± 2°	scale	A	51940-110	213					chr	0° ± 2°	1:1			sheet					appd					4 of 4	sheet index	revision sheet																																
mat'l code		SEE NOTE 2		tolerances unless otherwise specified		CUSTOMER		FCI www.fciconnect.com																																																																																																		
litr	ecn no.	dr	date	linear	XX±.01/0.X±0.3	projection	COPY	title 3ACP + 8S + 4P																																																																																																		
A				angles	.XXX±.005/0.XX±0.13		INCH/MM	product family PwrBlade																																																																																																		
				dr	.XXX±.002/0.XX±0.051			size	dwg no	code																																																																																																
				enr	0° ± 2°	scale	A	51940-110	213																																																																																																	
				chr	0° ± 2°	1:1			sheet																																																																																																	
				appd					4 of 4																																																																																																	
sheet index	revision sheet																																																																																																									
<table border="1" style="width: 100%; border-collapse: collapse;"> <tr> <td style="width: 25%;"></td> <td style="width: 25%; text-align: center;">1 2</td> <td style="width: 25%; text-align: center;">3 </td> <td style="width: 25%; text-align: center;">4</td> </tr> <tr> <td colspan="2">Pro/E</td> <td colspan="2" style="text-align: center;">cage code 22526</td> </tr> </table>					1 2	3	4	Pro/E		cage code 22526																																																																																																
	1 2	3	4																																																																																																							
Pro/E		cage code 22526																																																																																																								