

Excellent Integrated System Limited

Stocking Distributor

Click to view price, real time Inventory, Delivery & Lifecycle Information:

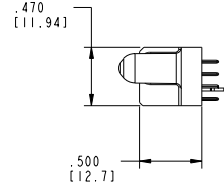
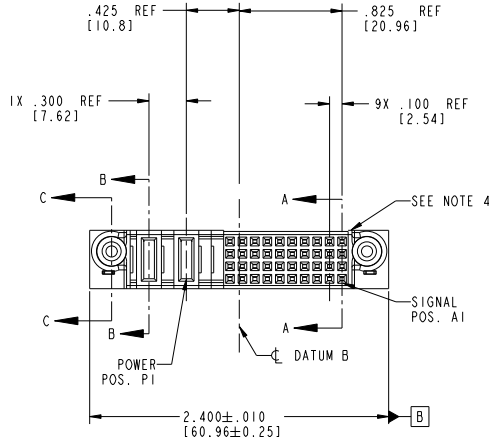
[FCI](#)
[51940-131LF](#)

For any questions, you can email us directly:
sales@integrated-circuit.com

Tous droits strictement réservés. Reproduction ou communication, en des lieux interdite sans aucune forme que ce soit sans autorisation écrite du propriétaire.
 Propriété de FCI. Droits de reproduction FCI.

All rights strictly reserved. Reproduction or issue in any form wherever is not permitted without written authority from the proprietor.
 Property of FCI. Copyright FCI.

PRODUCT NO.	ROWS	POWER			SIGNAL									
		E2	P2	P1	1	2	3	4	5	6	7	8	9	E1
51940-131	D D A		PA	PA	E	E	E	E	E	E	E	E	E	E
NOTE ③					E	E	E	E	E	E	E	E	E	E



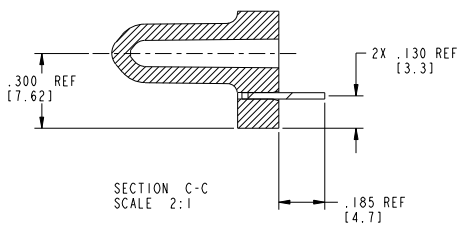
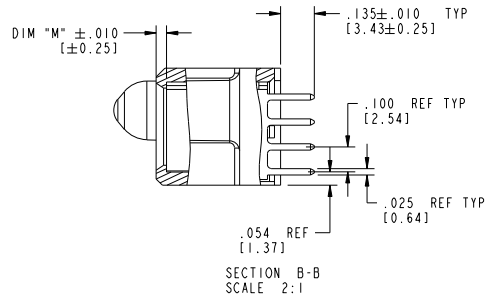
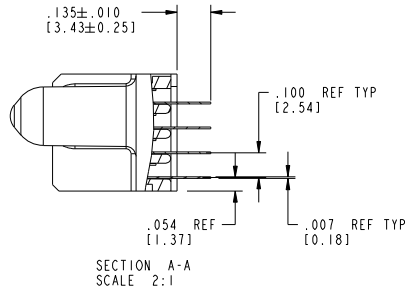
CODE	DIM "M" MATING LENGTH	CONTACT TYPE
E	N/A [N/A]	SIGNAL
PA	.042 [1.07]	POWER
HA	N/A [N/A]	HOLD-DOWN

mat'l code				SEE NOTE 2		tolerances unless otherwise specified		CUSTOMER	
lfr	ecm no.	dr	date	linear	XX±.01/0.XX+0.3	projection	COPY	www.fciconnect.com	
A	DG05-0050	LH	03/16/05	angles	XXX±.005/0.XX+0.13	INCH/MM	projection	title 40S+2P	
				dr	XXX±.0020/0.XX+0.051	scale	INCH/MM	product family PwrBlade	
				enr	0±°	1:1	size	dwg no 51940-131	
				chr	VICTOR LIN 03/16/05		code	sheet 213	
				oppd	JOSEPH HSTA 03/16/05		code	of 4	
sheet index	revision sheet	A	A	A	A			cage code 22526	
		1	2	3	4				

Tous droits strictement réservés. Reproduction ou communication, en des lieux interdite sans aucune forme que ce soit sans autorisation écrite du propriétaire. Propriété de c FCI. Droits de reproduction FCI.

All rights strictly reserved. Reproduction or issue in any form wherever is not permitted without written authority from the proprietor. Property of FCI. Copyright FCI.

PRODUCT NUMBER
51940-131--
NOTE ③



mat'l code		SEE NOTE 2	tolerances unless otherwise specified		CUSTOMER	FCI www.fciconnect.com	
ltr	ecm no.	dr	date	linear	COPY	title	40S+2P
A				$.XX\pm .01/0.XX+0.13$	projection	VERTICAL SOLDER RECEPT	
				$.XXX\pm .002/0.XXX+0.051$		product family	PwrBlade
				angles	$0^\circ \pm$	size	213
				dr	LH 03/16/05	scale	2 of 4
				enrg	LH 03/16/05	INCH/MM	
				chr	VICTOR LIN 03/16/05	1:1	
				oppd	JOSEPH HSTA 03/16/05	A	51940-131
sheet index	revision sheet						

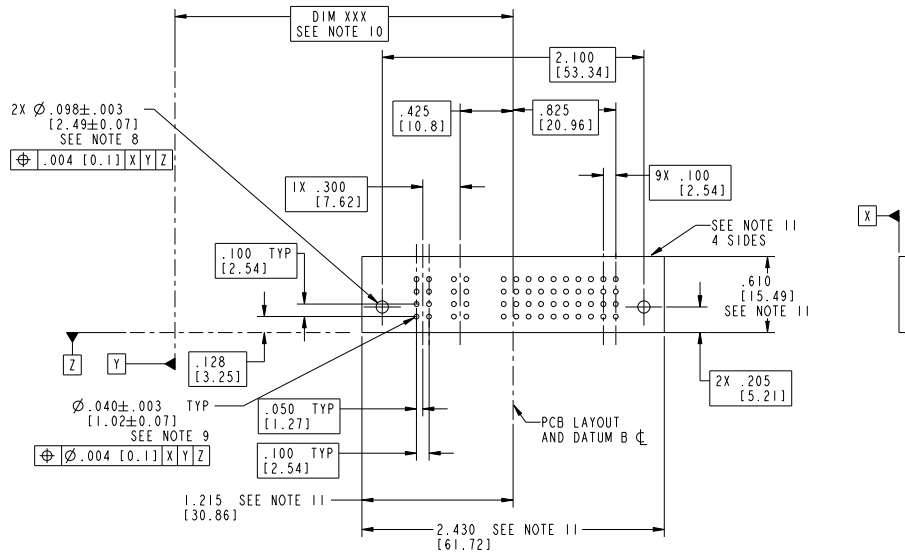
Pro/E

cage code 22526

Tous droits strictement réservés. Reproduction ou communication, en des lieux interdite sans aucune forme que ce soit sans autorisation écrite du propriétaire. Propriété de c FCI. Droits de reproduction FCI.

All rights strictly reserved. Reproduction or issue in any form anywhere is not permitted without written authority from the proprietor. Property of FCI. Copyright FCI.

PRODUCT NUMBER
51940-131-
NOTE ③



mat'l code		SEE NOTE 2	tolerances unless otherwise specified		CUSTOMER	www.fciconnect.com
lfr	ecm no.	dr	date	linear	COPY	
A				$XX \pm .01/0$ $YY \pm 0.13$	projection	40S+2P
				$XXX \pm .002/0$ $YYY \pm 0.051$		VERTICAL SOLDER RECEPT
				angles	$0^\circ \pm$	product family
				dr	LH 03/16/05	PwrBlade
				enrg	LH 03/16/05	code
				chr	VICTOR LIN 03/16/05	size
				oppd	JOSEPH HSIA 03/16/05	dwg no
sheet index	revision sheet				INCH/MM	51940-131
					scale	213
					1:1	3 of 4



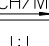
cage code 22526

Tous droits strictement réservés. Reproduction ou communication, en des lieux interdite sans aucune forme que ce soit sans autorisation écrite du propriétaire. Propriété de FCI. Droits de reproduction FCI.

All rights strictly reserved. Reproduction or issue in any form wherever is not permitted without written authority from the proprietor. Property of FCI. Copyright FCI.

PRODUCT NUMBER
51940-131
NOTE ③

- NOTES:
1. DIMENSIONS AND TOLERANCES ARE IN ACCORDANCE WITH ASME Y14.5M, 1994 UNLESS OTHERWISE SPECIFIED.
- CONNECTOR NOTES:
② HOUSING MATERIAL: UL 94 V-0 GLASS FILLED
HIGH-TEMP THERMOPLASTIC
POWER CONTACT MATERIAL: COPPER ALLOY
SIGNAL PIN MATERIAL: COPPER ALLOY
3. PLATING:
51940-131: 50u"/1.27um Ni UNDER ALL
SIGNAL PINS: 30u"/0.76um Au ON CONTACT AREA; 100u"/2.54um SnPb ON TERMINATION AREA
POWER CONTACTS: 30u"/0.76um Au ON CONTACT AREA; 100u"/2.54um SnPb ON TERMINATION AREA
- 51940-131LF: 50u"/1.27um Ni UNDER ALL
SIGNAL PINS: 30u"/0.76um Au ON CONTACT AREA; 78u"/2.00um Sn ON TERMINATION AREA
POWER CONTACTS: 30u"/0.76um Au ON CONTACT AREA; 78u"/2.00um Sn ON TERMINATION AREA
- PART NUMBER 51940-131LF MEETS EUROPEAN UNION DIRECTIVE AND OTHER COUNTRY REGULATIONS AS DESCRIBED IN GS-22-008.
- ④ MANUFACTURER'S NAME, P/N, AND DATE CODE TO APPEAR ON THIS SURFACE.
5. PRODUCT SPECIFICATION GS-12-149.
APPLICATION SPECIFICATION BUS-20-067.
6. PACKAGED IN TRAYS.
- PCB NOTES:
7. ALL HOLE DIAMETERS ARE FINISHED HOLE SIZE.
- ⑧ MOUNTING HOLES, WHERE APPLICABLE, ARE UNPLATED.
- ⑨ $\varnothing .0453 \pm .0010$ [1.151 \pm 0.025] DRILLED HOLES PLATED WITH .0003 [0.008] MIN SnPb OVER .001 [0.03] TO .003 [0.08] Cu PLATING TO ACHIEVE $\varnothing .040 \pm .003$ [1.02 \pm .07] HOLE.
- ⑩ "DIM XXX" TO BE DETERMINED BY THE CUSTOMER.
- ⑪ CONNECTOR KEEP-OUT ZONE.

mat'l code		SEE NOTE 2	tolerances unless otherwise specified		CUSTOMER		 www.fciconnect.com	
ltr	ecm no.	dr	date	linear	projection	title		
A				$.XX \pm .01 / 0 .XX \pm 0 .3$		40S+2P		
				$.XXX \pm .005 / 0 .XX \pm 0 .13$		VERTICAL SOLDER RECEPT		
				$.XXX \pm .002 / 0 .XX \pm 0 .051$	$0^\circ \pm 2^\circ$	product	family	code
				angles	INCH/MM	size	PwrBlade	213
				dr	scale	dwg no		sheet
				enrg	1:1	51940-131		4 of 4
				chr				
				oppd				
sheet index	revision sheet			VICTOR LIN				
				JOSEPH HSIA				

cage code 22526