

Excellent Integrated System Limited

Stocking Distributor

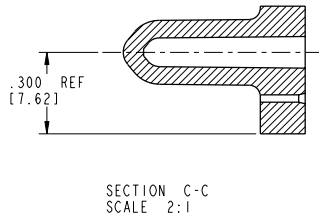
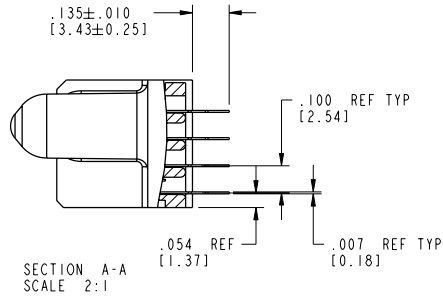
Click to view price, real time Inventory, Delivery & Lifecycle Information:

[FCI](#)
[51940-136LF](#)

For any questions, you can email us directly:
sales@integrated-circuit.com

Tous droits strictement réservés. Reproduction ou communication, en des tiers interdite sous quelque forme que ce soit sans autorisation écrite du propriétaire. Propriété de c FCI. Droits de reproduction FCI.

PRODUCT NUMBER
51940-136...
NOTE 3



| | | | | | | | | | | | |
|-------------|----------------|------------|------|---------------------------------------|----------------------|------------|---------|--------------------|----------------|--------------------|--------------|
| mat'l code | | SEE NOTE 2 | | tolerances unless otherwise specified | | CUSTOMER | | FCI | | www.fciconnect.com | |
| itr | ecm no. | dr | date | linear | .XX±.01/0.X±0.3 | projection | COPY | title | 16S | | |
| B | | | | angles | .XXY±.005/0.XY±0.13 | | INCH/MM | VERTICAL PF RECEPT | | code 213 | |
| | | | | dr | .XXY±.002/0.XY±0.051 | | | scale | product family | PwrBlade | sheet 2 of 4 |
| | | | | eng | 0°±7° | 1:1 | A | size | 51940-136 | | |
| | | | | chr | | | | dwg no | | | |
| | | | | appd | | | | | | | |
| sheet index | revision sheet | | | | | | | | | | |

Pro/E

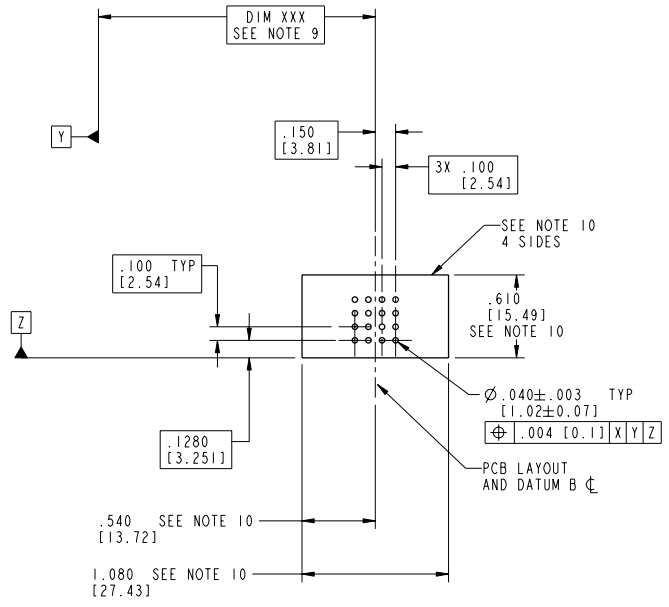
cage code 22526

Tous droits strictement réservés. Reproduction ou communication, en des tiers interdite sans aucune forme que ce soit sans autorisation écrite du propriétaire. Propriété de c FCI. Droits de reproduction FCI.



All rights strictly reserved. Reproduction or issue to third parties in any form whatever is not permitted without written authority from the proprietor. Property of FCI. Copyright FCI.

PRODUCT NUMBER
51940-136...
NOTE 3



| | | | | | | | |
|-------------|----------------|------------|---------------------------------------|--------|------------|--------------------|--------------------|
| mat'l code | | SEE NOTE 2 | tolerances unless otherwise specified | | CUSTOMER | FCI | www.fciconnect.com |
| itr | ecm no. | dr | date | linear | COPY | title | 16S |
| B | | | | linear | projection | VERTICAL PF RECEPT | |
| | | | | angles | | product family | PwrBlade |
| | | | | dr | INCH/MM | size | 213 |
| | | | | eng | scale | dwg no | 3 of 4 |
| | | | | chr | 1:1 | 51940-136 | |
| | | | | appd | | | |
| sheet index | revision sheet | | | | | cage code | 22526 |

Pro/E

Tous droits strictement réservés. Reproduction ou communication à des tiers interdite sous quelque forme que ce soit sans autorisation écrite du propriétaire. Propriété de c FCI. Droits de reproduction FCI.



All rights strictly reserved. Reproduction or issue to third parties in any form whatever is not permitted without written authority from the proprietor. Property of FCI. Copyright FCI.

| |
|-----------------------|
| PRODUCT NUMBER |
| 51940-136.. |
| NOTE 3 |

NOTES:

1. DIMENSIONS AND TOLERANCES ARE IN ACCORDANCE WITH ASME Y14.5M, 1994 UNLESS OTHERWISE SPECIFIED.

CONNECTOR NOTES:

- ② HOUSING MATERIAL: UL 94 V-0 GLASS FILLED HIGH-TEMP THERMOPLASTIC
SIGNAL PIN MATERIAL: COPPER ALLOY
- 3. PLATING:
SEE PRINT 10064183 FOR PLATING SPEC OF 51940-136; 51940-136LF
- ④ NO LASER MARK ON THIS SURFACE.
- 5. PRODUCT SPECIFICATION GS-12-149.
APPLICATION SPECIFICATION BUS-20-067.
- 6. PACKAGED IN TRAYS.

PCB NOTES:

- 7. ALL HOLE DIAMETERS ARE FINISHED HOLE SIZE.
- 8. $\varnothing .0453 \pm .0010$ [1.151 \pm 0.025] DRILLED HOLES PLATED WITH .0003 [0.008] MIN SnPb OVER .001 [0.03] TO .003 [0.08] Cu PLATING TO ACHIEVE $\varnothing .040 \pm .003$ [1.02 \pm .07] HOLE.
- 9. "DIM XXX" TO BE DETERMINED BY THE CUSTOMER.
- 10. CONNECTOR KEEP-OUT ZONE.

| | | | | | | | | | | | |
|-------------|----------------|------------|------|---------------------------------------|--------------------------------|------------|---------|--------------------|----------|--------------------|------|
| mat'l code | | SEE NOTE 2 | | tolerances unless otherwise specified | | CUSTOMER | | | | www.fciconnect.com | |
| itr | ecm no. | dr | date | linear | .XX \pm .01/0.X \pm 0.3 | projection | COPY | title | 16S | | |
| B | | | | angles | .XX \pm .005/0.XX \pm 0.13 | | | VERTICAL PF RECEPT | | | |
| | | | | dr | SLUD 4/5/05 | | INCH/MM | product family | PwrBlade | | code |
| | | | | eng | SLUD 4/5/05 | scale | 1:1 | size | dwg no | 213 | |
| | | | | chr | VICTOR LIN 4/5/05 | | A | 51940-136 | | sheet | |
| | | | | appd | JOSEPH HSIA 4/5/05 | | | | | 4 of 4 | |
| sheet index | revision sheet | | | | | | | | | | |

Pro/E

| | |
|-----------|-------|
| cage code | 22526 |
|-----------|-------|

4