

Excellent Integrated System Limited

Stocking Distributor

Click to view price, real time Inventory, Delivery & Lifecycle Information:

[FCI](#)
[51940-141](#)

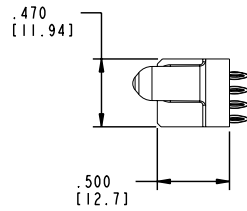
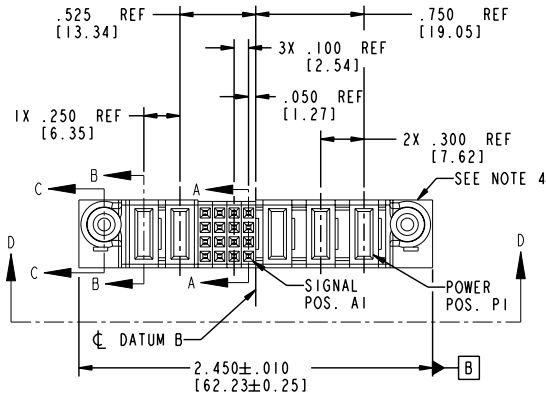
For any questions, you can email us directly:
sales@integrated-circuit.com

Tous droits strictement réservés. Reproduction ou communication, o des liens interdite sous quelque forme que ce soit sans autorisation écrite du propriétaire. Propriété de c FCI. Droits de reproduction FCI.

FCI

All rights strictly reserved. Reproduction or issue to third parties in any form whatever is not permitted without written authority from the proprietor. Property of FCI. Copyright FCI.

PRODUCT NO. 51940-141 Note: ③	ROWS D C B A	POWER				SIGNAL				POWER			
		E2	P5	P4	P3	4	3	2	1	P3	P2	P1	E1



CODE	DIM "M" MATING LENGTH	CONTACT TYPE
PF	.092 [2.34]	POWER
F	N/A [N/A]	SIGNAL
PC	.042 [1.07]	POWER

mat'l code		SEE NOTE 2		tolerances unless otherwise specified		CUSTOMER		FCI www.fciconnect.com	
ltr	ecn no.	dr	date	linear	XX±.01/0.X±0.3	projection	COPY	title	3ACP+16S+2P
A	DG05-0094	JM	04/29/05	linear	.XX±.005/0.X±0.13	INCH/MM		VERTICAL PF RECEPT	
				angles	.XXX±.002/0.X±0.051	INCH/MM		product family	PwrBlade
				dr	0°±2°	scale	1:1	size	dwg no
				engr	JM Guo 04/29/05			code	213
				chr	SLUO 04/29/05			sheet	1 of 4
				appd	VICTOR LIM 04/29/05				
					JOSEPH HSIA 04/29/05				
sheet index	revision sheet	A	A	A	A			cage code	22526
1	2	3	4						

Pro/E

PDM: Rev:A

STATUS: Released

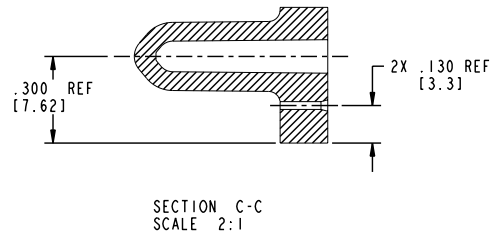
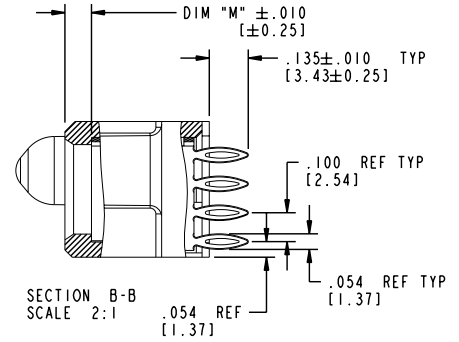
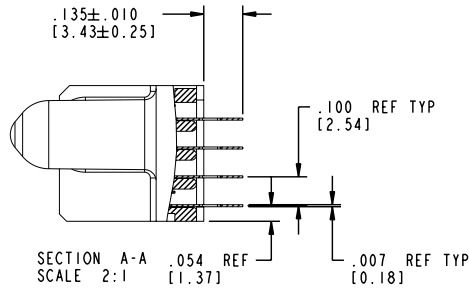
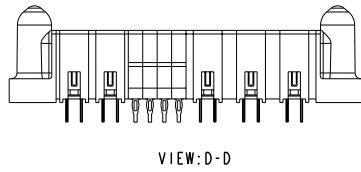
Printed: Dec 20, 2010

Tous droits strictement réservés. Reproduction ou communication, o des tiers interdite sous quelque forme que ce soit sans autorisation écrite du propriétaire. Propriété de c FCI. Droits de reproduction FCI.

FCI

All rights strictly reserved. Reproduction or issue to third parties in any form whatever is not permitted without written authority from the proprietor. Property of FCI. Copyright FCI.

PRODUCT NUMBER
51940-141--
Note:③



mat'l code		SEE NOTE 2		tolerances unless otherwise specified		CUSTOMER		 www.fciconnect.com	
lfr	ecm no.	dr	date	linear	$.XX \pm .01/0.X \pm 0.3$ $.XXX \pm .005/0.XX \pm 0.13$ $.XXXX \pm .002/0.XX \pm 0.051$	projection	COPY	title	
A				angles	$0^\circ \pm 2^\circ$			3ACP+16S+2P VERTICAL PF RECEIPT	
		dr	JM Guo	04/29/05		INCH/MM		product family	PwrBlade
		enr	SLUO	04/29/05		scale	A	size	213
		chr	VICTOR LIM	04/29/05		1:1		dwg no	51940-141
		appd	JOSEPH HSIA	04/29/05				sheet	2 of 4
sheet index	revision sheet							cage code	22526

Pro/E

PDM: Rev:A

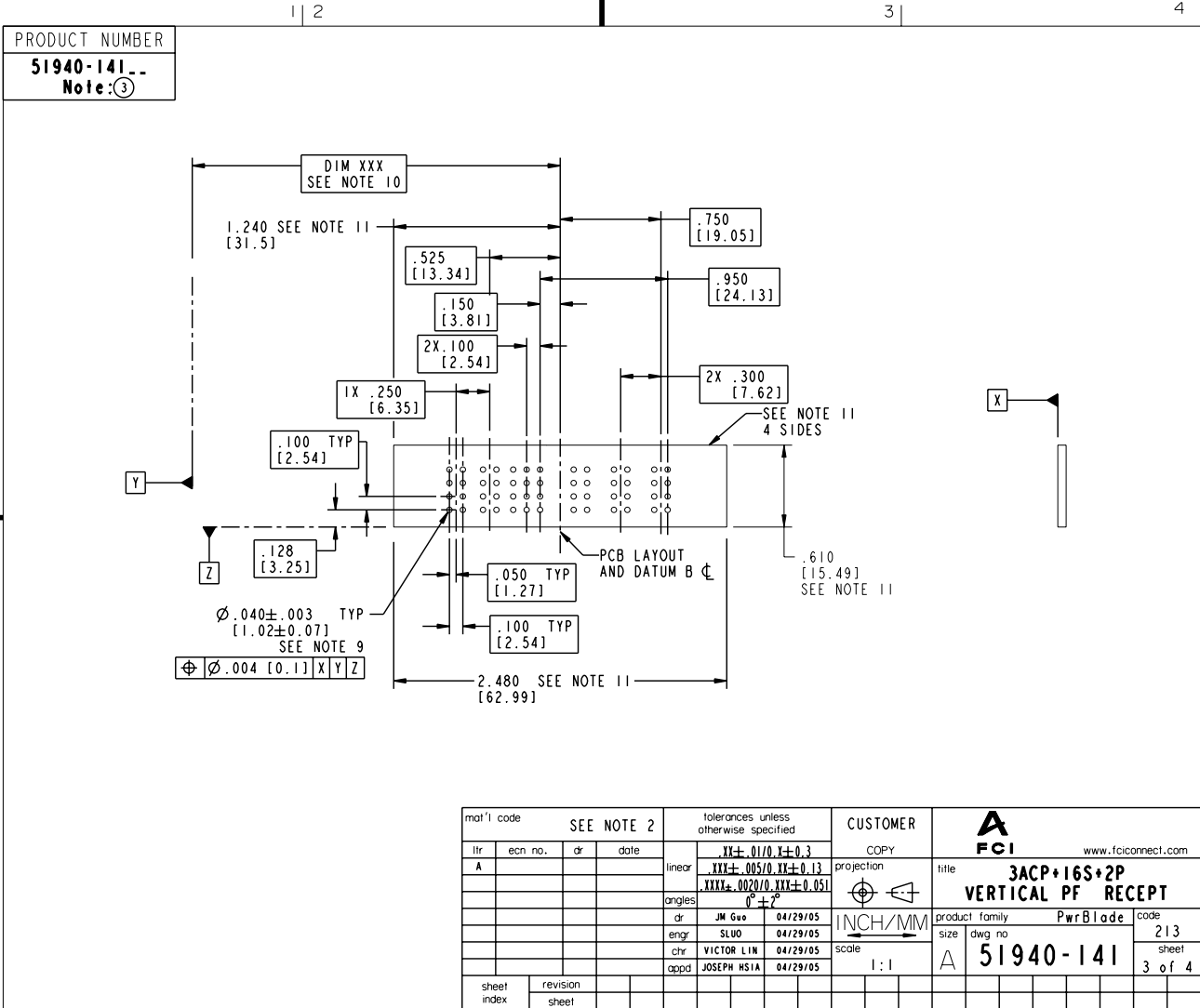
STATUS: **Released**

Printed: Dec 20, 2010

Tous droits strictement réservés. Reproduction ou communication, o des liens interdite sous quelque forme que ce soit sans autorisation écrite du propriétaire. Propriété de c FCI. Droits de reproduction FCI.

FCI

All rights strictly reserved. Reproduction or issue to third parties in any form whatever is not permitted without written authority from the proprietor. Property of FCI. Copyright FCI.



mat'l code		SEE NOTE 2		tolerances unless otherwise specified		CUSTOMER		FCI www.fciconnect.com	
lfr	ecm no.	dr	date	linear	XX±.01/0.X±0.3	COPY		title	
A				linear	.XX±.005/0.X±0.13	projection		3ACP+16S+2P	
				angles	.XXX±.002/0.X±0.051	INCH/MM		VERTICAL PF RECEPT	
				dr	JM Guo 04/29/05	scale		product family	
				engr	SLUO 04/29/05	1:1		PwrBlade	
				chr	VICTOR LIM 04/29/05	A		code	
				appd	JOSEPH HSIA 04/29/05			213	
sheet index	revision sheet							size	
								dwg no	
								51940-141	
								sheet	
								3 of 4	
								cage code	
								22526	

Pro/E

PDM: Rev:A

STATUS:Released

Printed: Dec 20, 2010

Tous droits strictement réservés. Reproduction ou communication, o des liens interdite sous quelque forme que ce soit sans autorisation écrite du propriétaire. Propriété de c FCI. Droits de reproduction FCI.

FCI

All rights strictly reserved. Reproduction or issue to third parties in any form whatever is not permitted without written authority from the proprietor. Property of FCI. Copyright FCI.

1 2	3	4																																																																																																				
<table border="1" style="width: 100%; border-collapse: collapse;"> <tr> <td style="width: 20%;">PRODUCT NUMBER</td> <td colspan="2">51940-141--</td> </tr> <tr> <td>Note:</td> <td colspan="2">③</td> </tr> </table>			PRODUCT NUMBER	51940-141--		Note:	③																																																																																															
PRODUCT NUMBER	51940-141--																																																																																																					
Note:	③																																																																																																					
<p>NOTES:</p> <p>1. DIMENSIONS AND TOLERANCES ARE IN ACCORDANCE WITH ASME Y14.5M, 1994 UNLESS OTHERWISE SPECIFIED.</p> <p>CONNECTOR NOTES:</p> <p>② HOUSING MATERIAL: UL 94 V-0 GLASS FILLED HIGH-TEMP THERMOPLASTIC POWER CONTACT MATERIAL: COPPER ALLOY SIGNAL PIN MATERIAL: COPPER ALLOY</p> <p>3. PLATING: 51940-141 Singal Pin:30u"/0.76um Au OVER 50u"/1.27um Ni ON THE CONTACT AREA, AND 100u"/2.54um SnPb PLATING OVER 50u"/1.27um Ni ON THE TERMINATION SECTION. Power Pin:30u"/0.76um Au OVER 50u"/1.27um Ni ON THE CONTACT AREA, AND 100u"/2.54um SnPb PLATING OVER 50u"/1.27um Ni ON THE TERMINATION SECTION.</p> <p>51940-141LF Singal Pin:30u"/0.76um Au OVER 50u"/1.27um Ni ON THE CONTACT AREA, AND 78u"/2.00um Sn PLATING OVER 50u"/1.27um Ni ON THE TERMINATION SECTION. Power Pin:30u"/0.76um Au OVER 50u"/1.27um Ni ON THE CONTACT AREA, AND 78u"/2.00um Sn PLATING OVER 50u"/1.27um Ni ON THE TERMINATION SECTION.</p> <p>PART NUMBER 51940-141LF MEETS EUROPEAN UNION DIRECTIVE AND OTHER COUNTRY REGULATIONS AS DESCRIBED IN GS-22-008.</p> <p>THE HOUSING WILL WITHSTAND EXPOSURE TO 260° PEAK TEMPERATURE FOR 10 SECONDS IN A WAVE SOLDER APPLICATION WITH A CIRCUIT BOARD.</p>																																																																																																						
<p>④ MANUFACTURER'S NAME, P/N, AND DATE CODE TO APPEAR ON THIS SURFACE.</p> <p>5. PRODUCT SPECIFICATION GS-12-149. APPLICATION SPECIFICATION BUS-20-067.</p> <p>6. PACKAGED IN TRAYS.</p> <p>PCB NOTES:</p> <p>7. ALL HOLE DIAMETERS ARE FINISHED HOLE SIZE.</p> <p>⑧ MOUNTING HOLES, WHERE APPLICABLE, ARE UNPLATED.</p> <p>⑨ $\varnothing .0453 \pm .0010$ [1.151 ± 0.025] DRILLED HOLES PLATED WITH .0003 [0.008] MIN SnPb OVER .001 [0.03] TO .003 [0.08] Cu PLATING TO ACHIEVE $\varnothing .040 \pm .003$ [1.02 ± .07] HOLE.</p> <p>⑩ "DIM XXX" TO BE DETERMINED BY THE CUSTOMER.</p> <p>⑪ CONNECTOR KEEP-OUT ZONE.</p>																																																																																																						
<table border="1" style="width: 100%; border-collapse: collapse;"> <tr> <td colspan="4" style="text-align: center;">SEE NOTE 2</td> <td colspan="2" style="text-align: center;">tolerances unless otherwise specified</td> <td colspan="2" style="text-align: center;">CUSTOMER</td> <td colspan="2" style="text-align: center;">FCI www.fciconnect.com</td> </tr> <tr> <td>ltr</td> <td>ecn no.</td> <td>dr</td> <td>date</td> <td>linear</td> <td>projection</td> <td colspan="2">COPY</td> <td colspan="2">title</td> </tr> <tr> <td>A</td> <td></td> <td></td> <td></td> <td>$.XX \pm .01 / 0.X \pm 0.3$</td> <td></td> <td colspan="2">A</td> <td colspan="2">3ACP+16S+2P VERTICAL PF RECEPT</td> </tr> <tr> <td></td> <td></td> <td></td> <td></td> <td>$.XXX \pm .005 / 0.XX \pm 0.13$</td> <td></td> <td colspan="2">INCH/MM</td> <td colspan="2">product family PwrBlade code 213</td> </tr> <tr> <td></td> <td></td> <td></td> <td></td> <td>angles $0^\circ \pm 2^\circ$</td> <td></td> <td colspan="2">scale 1:1</td> <td colspan="2">size dwg no 51940-141 sheet 4 of 4</td> </tr> <tr> <td></td> <td></td> <td></td> <td></td> <td>dr JM Guo 04/29/05</td> <td></td> <td colspan="2"></td> <td colspan="2"></td> </tr> <tr> <td></td> <td></td> <td></td> <td></td> <td>enrg SLUO 04/29/05</td> <td></td> <td colspan="2"></td> <td colspan="2"></td> </tr> <tr> <td></td> <td></td> <td></td> <td></td> <td>chr VICTOR LIM 04/29/05</td> <td></td> <td colspan="2"></td> <td colspan="2"></td> </tr> <tr> <td></td> <td></td> <td></td> <td></td> <td>appd JOSEPH HSIA 04/29/05</td> <td></td> <td colspan="2"></td> <td colspan="2"></td> </tr> <tr> <td>sheet index</td> <td>revision sheet</td> <td></td> <td></td> <td></td> <td></td> <td></td> <td></td> <td></td> <td></td> </tr> </table>			SEE NOTE 2				tolerances unless otherwise specified		CUSTOMER		FCI www.fciconnect.com		ltr	ecn no.	dr	date	linear	projection	COPY		title		A				$.XX \pm .01 / 0.X \pm 0.3$		A		3ACP+16S+2P VERTICAL PF RECEPT						$.XXX \pm .005 / 0.XX \pm 0.13$		INCH/MM		product family PwrBlade code 213						angles $0^\circ \pm 2^\circ$		scale 1:1		size dwg no 51940-141 sheet 4 of 4						dr JM Guo 04/29/05										enrg SLUO 04/29/05										chr VICTOR LIM 04/29/05										appd JOSEPH HSIA 04/29/05						sheet index	revision sheet								
SEE NOTE 2				tolerances unless otherwise specified		CUSTOMER		FCI www.fciconnect.com																																																																																														
ltr	ecn no.	dr	date	linear	projection	COPY		title																																																																																														
A				$.XX \pm .01 / 0.X \pm 0.3$		A		3ACP+16S+2P VERTICAL PF RECEPT																																																																																														
				$.XXX \pm .005 / 0.XX \pm 0.13$		INCH/MM		product family PwrBlade code 213																																																																																														
				angles $0^\circ \pm 2^\circ$		scale 1:1		size dwg no 51940-141 sheet 4 of 4																																																																																														
				dr JM Guo 04/29/05																																																																																																		
				enrg SLUO 04/29/05																																																																																																		
				chr VICTOR LIM 04/29/05																																																																																																		
				appd JOSEPH HSIA 04/29/05																																																																																																		
sheet index	revision sheet																																																																																																					
<table border="1" style="width: 100%; border-collapse: collapse;"> <tr> <td style="width: 25%; text-align: center;">1 2</td> <td style="width: 25%; text-align: center;">3 </td> <td style="width: 25%; text-align: center;">4</td> </tr> <tr> <td colspan="2" style="text-align: center;">Pro/E</td> <td style="text-align: center;">cage code 22526</td> </tr> </table>			1 2	3	4	Pro/E		cage code 22526																																																																																														
1 2	3	4																																																																																																				
Pro/E		cage code 22526																																																																																																				