

Excellent Integrated System Limited

Stocking Distributor

Click to view price, real time Inventory, Delivery & Lifecycle Information:

[FCI](#)

[51940-175LF](#)

For any questions, you can email us directly:

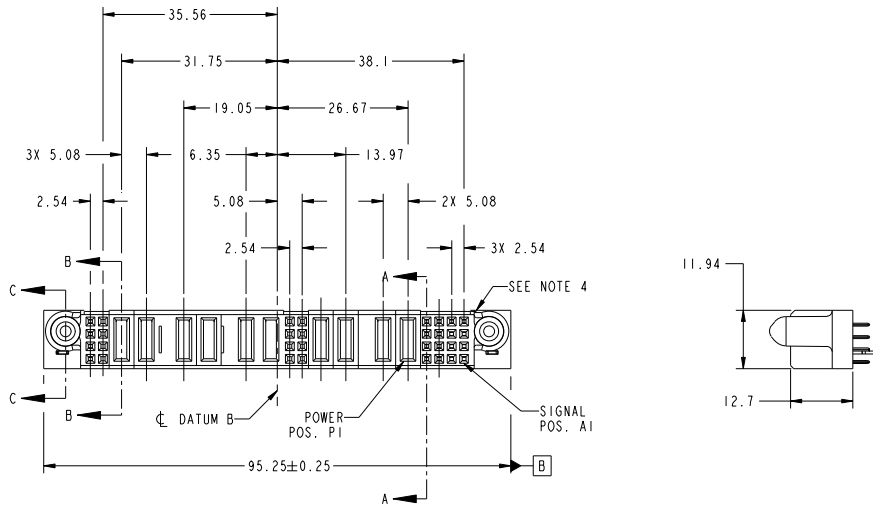
sales@integrated-circuit.com

Tous droits strictement réservés. Reproduction ou communication à des tiers interdite sous quelque forme que ce soit sans autorisation écrite du propriétaire. Propriété de FCI. Droits de reproduction FCI.

All rights strictly reserved. Reproduction or issue to third parties in any form whatever is not permitted without written authority from the proprietor. Property of FCI. Copyright FCI.



PRODUCT NO.	ROWS	1 2								3								4		
		E2	SIG	POWER				SIG	POWER				SIG	E1						
51940-175-- NOTE: 3	D C B A	8	7	P10	P9	P8	P7	P6	P5	6	5	P4	P3	P2	P1	4	3	2	1	E1
		XXX	XXX	PD	PD	PD	PD	PA	PA	XXX	XXX	PA	X	PD	X	EEE	EEE	EEE	EEE	EEE
		XXX	XXX	PD	PD	PD	PD	PA	PA	XXX	XXX	PA	X	PD	X	EEE	EEE	EEE	EEE	EEE
		XXX	XXX	PD	PD	PD	PD	PA	PA	XXX	XXX	PA	X	PD	X	EEE	EEE	EEE	EEE	EEE



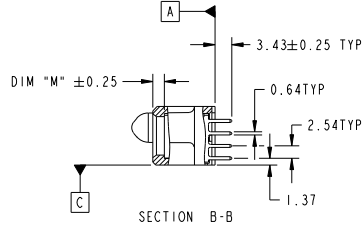
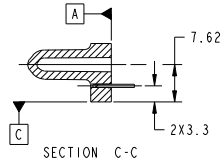
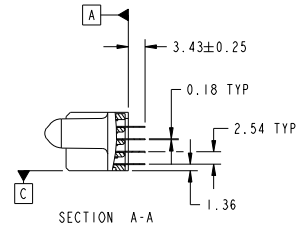
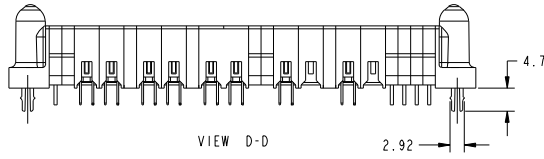
CODE	DIM "M" MATING LENGTH	CONTACT TYPE
E	[N/A]	SIGNAL
PA	[1.07]	POWER
PD	[2.34]	POWER
HA	[N/A]	HOLD-DOWN
X	OMITTED	OMITTED

mat'l code				0		tolerances unless otherwise specified		CUSTOMER		FCI	
lfr	ecm no.	dr	date	linear	0.X	±0.3	COPY		www.fciconnect.com		
A	DG07-0442	JC	11/08/07	angles	0.XX	±0.13	projection	title 16S + 4P + 8S + 6P + 8S VERTICAL SOLDER RECEPTACLE			
				dr	0.XXX	±0.051	MM	product family PwrBlade		code 213	
				enr	0	±2°	scale 1:1	size A	dwg no 51940-175	sheet 1 of 4	
				chr							
				oppd							
sheet index	revision sheet	A 1	A 2	A 3	A 4					cage code 22526	

Tous droits strictement réservés. Reproduction ou communication à des tiers interdite sous quelque forme que ce soit sans autorisation écrite du propriétaire. Propriété de FCI. Droits de reproduction FCI.

All rights strictly reserved. Reproduction or issue to third parties in any form whatever is not permitted without written authority from the proprietor. Property of FCI. Copyright FCI.

PRODUCT NUMBER
51940-175...
NOTE: 3



mat'l code				0		tolerances unless otherwise specified		CUSTOMER		FCI		www.fciconnect.com	
ltr	ecm no.	dr	date	linear	0.X ± 0.3	projection	COPY		title 16S + 4P + 8S + 6P + 8S VERTICAL SOLDER RECEPTACLE				
A					0.XX ± 0.13	MM	MM		product family PwrBlade		code		
				angles	0.XXX ± 0.051	scale	1:1		size		213		
				dr	0° ± 2°				dwg no		sheet		
				engr					A		2 of 4		
				chr	Jerome Chen 11/08/07				51940-175				
				oppd	Gary Hsieh 11/08/07								
					Joseph Hsiao 11/08/07								
sheet index	revision sheet												

Pro/E

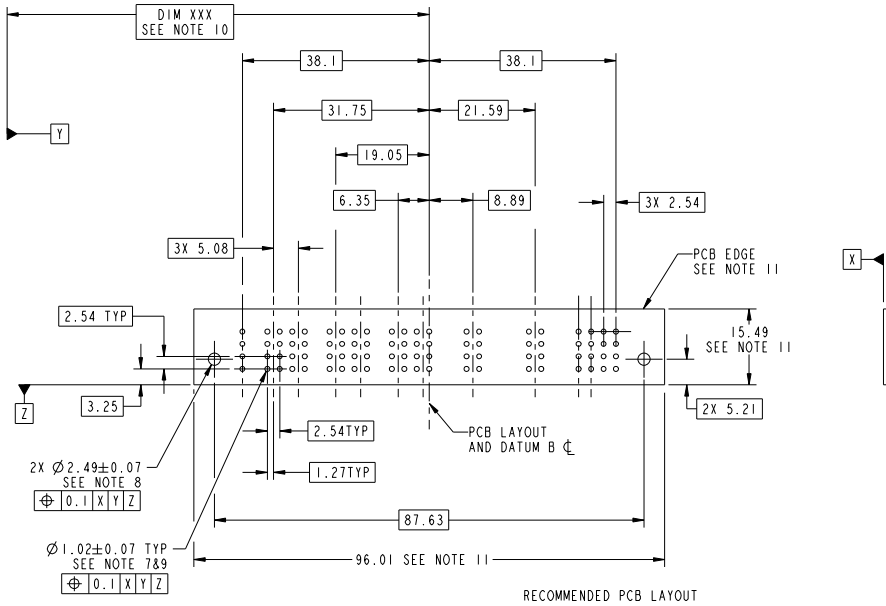
cage code 22526

Tous droits strictement réservés. Reproduction ou communication de des tiers interdite sous quelque forme que ce soit sans autorisation écrite du propriétaire. Property of FCI. Copyright FCI. Droits de reproduction FCI.



All rights strictly reserved. Reproduction or issue to third parties in any form whatever is not permitted without written authority from the proprietor. Property of FCI. Copyright FCI.

PRODUCT NUMBER
51940-175...
NOTE: 3



mat'l code				0	tolerances unless otherwise specified	CUSTOMER		FCI		www.fciconnect.com	
ltr	ecn no.	dr	date		0.X ± 0.3	COPY		projection		title	
A				linear	0.XX ± 0.13	MM				16S + 4P + 8S + 6P + 8S VERTICAL SOLDER RECEPTACLE	
				angles	0.XXX ± 0.051	MM				product family PwrBlade code	
				dr	0° ± 2°	MM				size	
				engr		MM				dwg no	
				chr	Jerome Chen 11/08/07	MM				51940-175	
				oppd	Jerome Chen 11/08/07	MM				213	
					Gary Hsieh 11/08/07	MM				sheet	
					Joseph Hsiao 11/08/07	MM				3 of 4	
sheet index	revision	sheet				scale		1:1		cage code	
										22526	

Pro/E

cage code 22526

Tous droits strictement réservés. Reproduction ou communication à des tiers interdite sous quelque forme que ce soit sans autorisation écrite du propriétaire. Propriété de C.FCI. Droits de reproduction FCI.

All rights strictly reserved. Reproduction or issue to third parties in any form whatever is not permitted without written authority from the proprietor. Property of FCI. Copyright FCI.

PRODUCT NUMBER
 51940-175__
 NOTE: 3

NOTES:

1. DIMENSIONS AND TOLERANCES ARE IN ACCORDANCE WITH ASME Y14.5M, 1994 UNLESS OTHERWISE SPECIFIED.
- CONNECTOR NOTES:
2. HOUSING MATERIAL: UL 94 V-0 GLASS FILLED HIGH-TEMP THERMOPLASTIC
 POWER CONTACT MATERIAL: COPPER ALLOY
 SIGNAL PIN MATERIAL: COPPER ALLOY
 3. PLATING:
 SEE PRINT 10064183 FOR PLATING SPEC OF 51940-175; 51940-175LF.
 4. MANUFACTURER'S NAME, P/N, AND DATE CODE TO APPEAR ON THIS SURFACE.
 5. PRODUCT SPECIFICATION GS-12-149.
 APPLICATION SPECIFICATION BUS-20-067.
 6. PACKAGED IN TRAYS.
- PCB NOTES:
7. ALL HOLE DIAMETERS ARE FINISHED HOLE SIZE.
 8. MOUNTING HOLES, WHERE APPLICABLE, ARE UNPLATED.
 9. $\varnothing 1.151 \pm 0.025$ DRILLED HOLES PLATED WITH 0.008 MIN SnPb OR Sn OVER 0.03 TO 0.08 Cu PLATING TO ACHIEVE $\varnothing 1.02 \pm .07$ HOLE.
 10. "DIM XXX" TO BE DETERMINED BY THE CUSTOMER.
 11. CONNECTOR KEEP-OUT ZONE.

mat'l code				0		tolerances unless otherwise specified		CUSTOMER		FCI		www.fciconnect.com	
ltr	ecm no.	dr	date	linear	0.X ± 0.3	projection	COPY		title 16S + 4P + 8S + 6P + 8S VERTICAL SOLDER RECEPTACLE				
A					0.XX ± 0.13								
				angles	0.XXX ± 0.051								
				dr	0° ± 2°		MM		product family PwrBlade		code		
				enr	Jerome Chen 11/08/07	scale	1:1		size A		dwg no 51940-175		
				chr	Gary Hsieh 11/08/07					213 sheet			
				appd	Joseph Hsiao 11/08/07					4 of 4			
sheet index	revision sheet												

cage code 22526