

## Excellent Integrated System Limited

Stocking Distributor

Click to view price, real time Inventory, Delivery & Lifecycle Information:

[FCI](#)  
[51940-185](#)

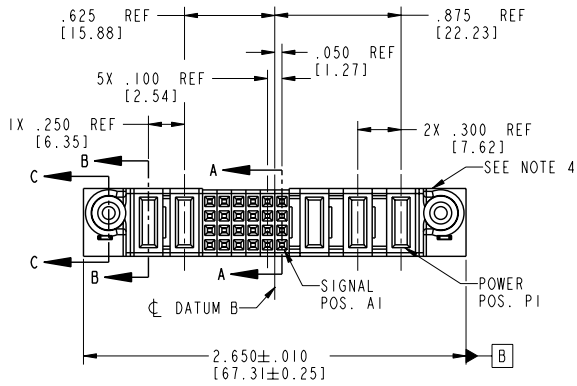
For any questions, you can email us directly:  
[sales@integrated-circuit.com](mailto:sales@integrated-circuit.com)

Tous droits strictement réservés. Reproduction ou communication, o des liens interdite sous quelque forme que ce soit sans autorisation écrite du propriétaire. Propriété de c FCI. Droits de reproduction FCI.

**FCI**

All rights strictly reserved. Reproduction or issue to third parties in any form whatever is not permitted without written authority from the proprietor. Property of FCI. Copyright FCI.

PRODUCT NO.	ROWS	POWER		SIGNAL								POWER						
		E2	P5	P4	6	5	4	3	2	1	P3	P2	P1	E1				
51940-185- NOTE ③	D C B A																	



CODE	DIM "M" MATING LENGTH	CONTACT TYPE
E	N/A [N/A]	SIGNAL
PA	.042 [1.07]	POWER
PD	.092 [2.34]	POWER
HA	N/A [N/A]	HOLD-DOWN

mat'l code		SEE NOTE 2		tolerances unless otherwise specified		CUSTOMER		<b>FCI</b>		www.fciconnect.com	
lir	ecn no.	dr	date	linear	XX±.01/0.X±0.3	projection	COPY	title	3ACP + 24S + 2P		
A	DG06-0097	JMG	03/08/06	angles	.XXX±.005/0.XX±0.13			VERTICAL SOLDER RECEPT			
				dr	XXXX±.0020/0.XX±0.051	INCH/MM	product family	PwrBlade	code 213		
				engr	JM GUO 03/08/06	scale	size	dwg no	51940-185		
				chr	SLUO 03/08/06	1:1	sheet	1 of 4			
				appd	BEER FU 03/08/06						
					JOSEPH HSIA 03/08/06						
sheet index	revision sheet	A	A	A	A						
		1	2	3	4						

Pro/E

cage code 22526

**PDM: Rev:A**

STATUS: **Released**

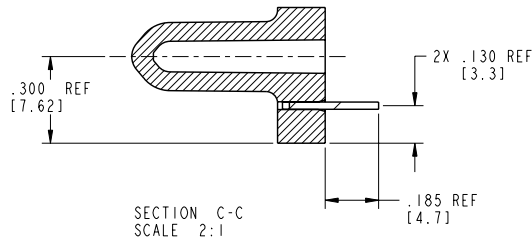
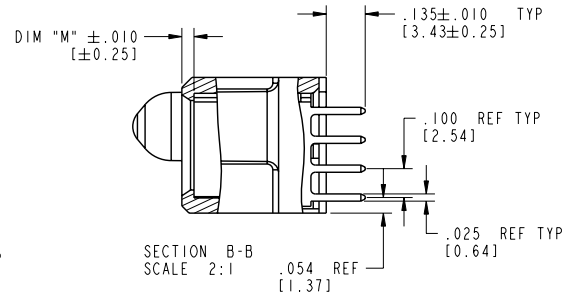
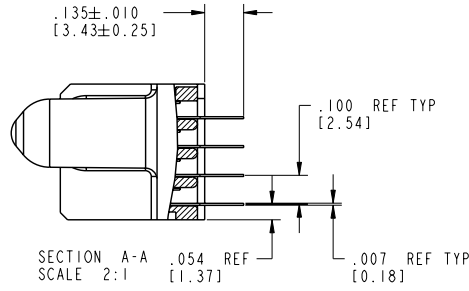
Printed: Dec 20, 2010

Tous droits strictement réservés. Reproduction ou communication, o des liens interdié sous quelque forme que ce soit sans autorisation écrite du propriétaire. Propriété de c FCI. Droits de reproduction FCI.

**FCI**

All rights strictly reserved. Reproduction or issue to third parties in any form whatever is not permitted without written authority from the proprietor. Property of FCI. Copyright FCI.

PRODUCT NUMBER  
51940-185--  
NOTE ③



mat'l code		SEE NOTE 2		tolerances unless otherwise specified		CUSTOMER		<b>FCI</b> www.fciconnect.com	
lfr	ecn no.	dr	date	linear	XX±.01/0, Y±0.3	projection	COPY	title	3ACP + 24S + 2P
A				linear	.XXX±.005/0, YY±0.13	projection		title	VERTICAL SOLDER RECEPT
				angles	XXXX±.0020/0, YY±0.051	projection		product family	PwrBlade
				dr	0° ± 2°	projection		size	213
				engr	JM GUO 03/08/06	INCH/MM		dwg no	51940-185
				chr	SLUO 03/08/06	scale		sheet	2 of 4
				appd	BEER FU 03/08/06	scale	1:1		
					JOSEPH HSIA 03/08/06				
sheet index	revision sheet								

Pro/E

cage code 22526

**PDM: Rev:A**

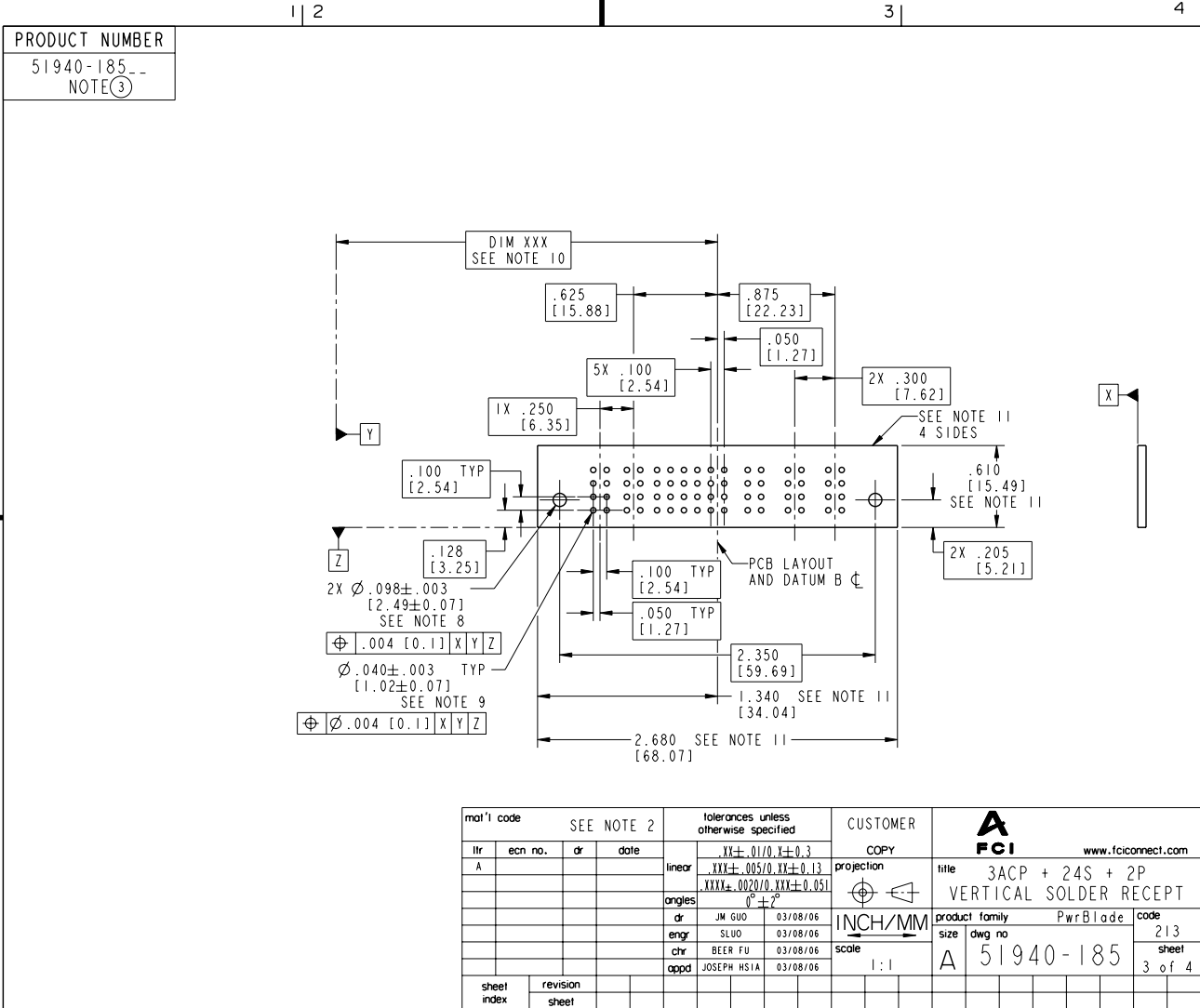
STATUS: **Released**

Printed: Dec 20, 2010

Tous droits strictement réservés. Reproduction ou communication, o des liens interdié sous quelque forme que ce soit sans autorisation écrite du propriétaire. Propriété de c FCI. Drois de reproduction FCI.

**FCI**

All rights strictly reserved. Reproduction or issue to third parties in any form whatever is not permitted without written authority from the proprietor. Property of FCI. Copyright FCI.



1 | 2

3 |

4

PRODUCT NUMBER

51940-185--  
NOTE ③

1 | 2

Pro/E

3 |

cage code

22526

4

**PDM: Rev:A**

STATUS: **Released**

Printed: Dec 20, 2010

Tous droits strictement réservés. Reproduction ou communication, o des liens interdite sous quelque forme que ce soit sans autorisation écrite du propriétaire. Propriété de c FCI. Droits de reproduction FCI.

**FCI**

All rights strictly reserved. Reproduction or issue to third parties in any form whatever is not permitted without written authority from the proprietor. Property of FCI. Copyright FCI.

	1   2	3	4																																																																																																				
<b>PRODUCT NUMBER</b>																																																																																																							
51940-185-- NOTE ③																																																																																																							
<b>NOTES:</b>																																																																																																							
1. DIMENSIONS AND TOLERANCES ARE IN ACCORDANCE WITH ASME Y14.5M, 1994 UNLESS OTHERWISE SPECIFIED.																																																																																																							
<b>CONNECTOR NOTES:</b>																																																																																																							
② HOUSING MATERIAL: UL 94 V-0 GLASS FILLED HIGH-TEMP THERMOPLASTIC POWER CONTACT MATERIAL: COPPER ALLOY SIGNAL PIN MATERIAL: COPPER ALLOY																																																																																																							
3. PLATING SPEC. 51940-185, 51940-185LF PLATING SPEC. WAS SHOWN IN THE PRINT OF 10064183.																																																																																																							
④ MANUFACTURER'S NAME, P/N, AND DATE CODE TO APPEAR ON THIS SURFACE.																																																																																																							
5. PRODUCT SPECIFICATION GS-12-149. APPLICATION SPECIFICATION BUS-20-067.																																																																																																							
6. PACKAGED IN TRAYS.																																																																																																							
<b>PCB NOTES:</b>																																																																																																							
7. ALL HOLE DIAMETERS ARE FINISHED HOLE SIZE.																																																																																																							
⑧ MOUNTING HOLES, WHERE APPLICABLE, ARE UNPLATED.																																																																																																							
⑨ $\varnothing .0453 \pm .0010$ [ $1.151 \pm 0.025$ ] DRILLED HOLES PLATED WITH .0003 [ $0.008$ ] MIN SnPb OVER .001 [ $0.03$ ] TO .003 [ $0.08$ ] Cu PLATING TO ACHIEVE $\varnothing .040 \pm .003$ [ $1.02 \pm .07$ ] HOLE.																																																																																																							
⑩ "DIM XXX" TO BE DETERMINED BY THE CUSTOMER.																																																																																																							
⑪ CONNECTOR KEEP-OUT ZONE.																																																																																																							
<table border="1" style="width: 100%; border-collapse: collapse;"> <tr> <td colspan="2">mat'l code</td> <td colspan="2">SEE NOTE 2</td> <td colspan="2">tolerances unless otherwise specified</td> <td colspan="2">CUSTOMER</td> <td colspan="2" style="text-align: center;"><b>FCI</b> www.fciconnect.com</td> </tr> <tr> <td>lfr</td> <td>ecn no.</td> <td>dr</td> <td>date</td> <td>linear</td> <td>.XX±.01/0.X±0.3</td> <td>projection</td> <td>COPY</td> <td>title</td> <td>3ACP + 24S + 2P</td> </tr> <tr> <td>A</td> <td></td> <td></td> <td></td> <td>linear</td> <td>.XXX±.005/0.XX±0.13</td> <td></td> <td></td> <td>VERTICAL SOLDER RECEPT</td> <td></td> </tr> <tr> <td></td> <td></td> <td></td> <td></td> <td>angles</td> <td>.XXXX±.002/0.XX±0.051</td> <td></td> <td></td> <td>product family</td> <td>PwrBlade</td> </tr> <tr> <td></td> <td></td> <td></td> <td></td> <td>dr</td> <td>0° ± 2°</td> <td>INCH/MM</td> <td>scale</td> <td>size</td> <td>213</td> </tr> <tr> <td></td> <td></td> <td></td> <td></td> <td>engr</td> <td>JM GUO 03/08/06</td> <td>1:1</td> <td>dwg no</td> <td>51940-185</td> <td>sheet</td> </tr> <tr> <td></td> <td></td> <td></td> <td></td> <td>chr</td> <td>SLUO 03/08/06</td> <td></td> <td></td> <td></td> <td>4 of 4</td> </tr> <tr> <td></td> <td></td> <td></td> <td></td> <td>appd</td> <td>BEER FU 03/08/06</td> <td></td> <td></td> <td></td> <td></td> </tr> <tr> <td></td> <td></td> <td></td> <td></td> <td></td> <td>JOSEPH HSIA 03/08/06</td> <td></td> <td></td> <td></td> <td></td> </tr> <tr> <td>sheet index</td> <td>revision sheet</td> <td></td> <td></td> <td></td> <td></td> <td></td> <td></td> <td></td> <td></td> </tr> </table>				mat'l code		SEE NOTE 2		tolerances unless otherwise specified		CUSTOMER		<b>FCI</b> www.fciconnect.com		lfr	ecn no.	dr	date	linear	.XX±.01/0.X±0.3	projection	COPY	title	3ACP + 24S + 2P	A				linear	.XXX±.005/0.XX±0.13			VERTICAL SOLDER RECEPT						angles	.XXXX±.002/0.XX±0.051			product family	PwrBlade					dr	0° ± 2°	INCH/MM	scale	size	213					engr	JM GUO 03/08/06	1:1	dwg no	51940-185	sheet					chr	SLUO 03/08/06				4 of 4					appd	BEER FU 03/08/06										JOSEPH HSIA 03/08/06					sheet index	revision sheet								
mat'l code		SEE NOTE 2		tolerances unless otherwise specified		CUSTOMER		<b>FCI</b> www.fciconnect.com																																																																																															
lfr	ecn no.	dr	date	linear	.XX±.01/0.X±0.3	projection	COPY	title	3ACP + 24S + 2P																																																																																														
A				linear	.XXX±.005/0.XX±0.13			VERTICAL SOLDER RECEPT																																																																																															
				angles	.XXXX±.002/0.XX±0.051			product family	PwrBlade																																																																																														
				dr	0° ± 2°	INCH/MM	scale	size	213																																																																																														
				engr	JM GUO 03/08/06	1:1	dwg no	51940-185	sheet																																																																																														
				chr	SLUO 03/08/06				4 of 4																																																																																														
				appd	BEER FU 03/08/06																																																																																																		
					JOSEPH HSIA 03/08/06																																																																																																		
sheet index	revision sheet																																																																																																						
		Pro/E	3	4																																																																																																			
		cage code 22526																																																																																																					