

Excellent Integrated System Limited

Stocking Distributor

Click to view price, real time Inventory, Delivery & Lifecycle Information:

[FCI](#)

[51940-226LF](#)

For any questions, you can email us directly:

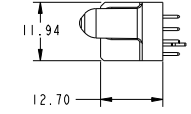
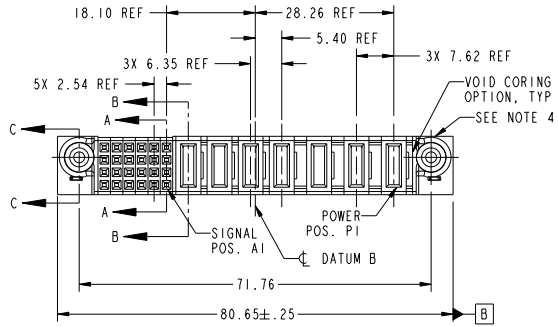
sales@integrated-circuit.com

Tous droits strictement réservés. Reproduction ou communication à des tiers interdite sous quelque forme que ce soit sans autorisation écrite du propriétaire. Propriété de C.FCI. Droits de reproduction FCI.

All rights strictly reserved. Reproduction or issue to third parties in any form whatever is not permitted without written authority from the proprietor. Property of FCI. Copyright FCI.



PRODUCT NO.	ROWS	SIGNAL				POWER							E1
		E2	4	3	2	P7	P6	P5	P4	P3	P2	P1	
51940-226- NOTE: 3	D B A	TA	EE	EE	EE	PD	PD	PD	PD	PA	PD	PD	TA
		EE	EE	EE	EE	PD	PD	PD	PD	PA	PD	PD	EE
		EE	EE	EE	EE	PD	PD	PD	PD	PA	PD	PD	EE
		EE	EE	EE	EE	PD	PD	PD	PD	PA	PD	PD	EE



CODE	DIM "M" MATING LENGTH	CONTACT TYPE
E	[N/A]	SIGNAL
PD	[2.34]	POWER
HA	[N/A]	HOLD-DOWN
PA	[1.07]	POWER

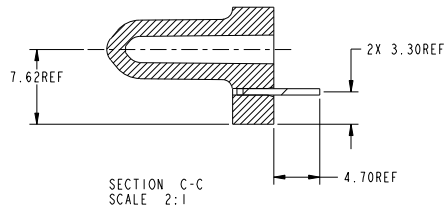
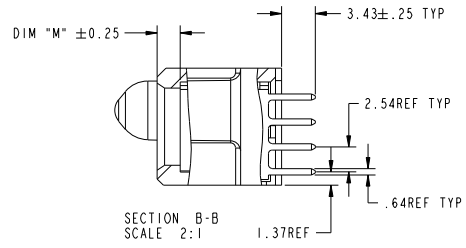
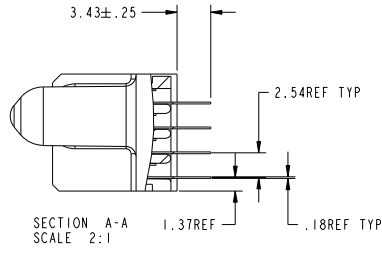
SEE NOTES				tolerances unless otherwise specified		CUSTOMER	
ltr	ecm no.	dr	date	linear	0.X ± 0.3	COPY	www.fciconnect.com
A	DG07-0191	JMG	05/11/07	angles	0.XX ± 0.13	projection	title
				dr	0.XXX ± 0.051	MM	3ACP + 4P + 24S
				enr	0° ± 2°	scale	VERTICAL SOLDER RECEPT
				chr	JM GUO 05/11/07	1:1	product family
				oppd	RYAN YUAN 05/11/07		PwrBlade
					GARY HSIEH 05/11/07		code
					JOSEPH HSIA 05/11/07		213
sheet index	revision sheet	A 1	A 2	A 3	A 4		size
							dwg no
							51940-226
							sheet 1 of 4
							code
							22526

Tous droits strictement réservés. Reproduction ou communication à des tiers interdite sous quelque forme que ce soit sans autorisation écrite du propriétaire. Propriété de FCI. Droits de reproduction FCI.

All rights strictly reserved. Reproduction or issue to third parties in any form whatever is not permitted without written authority from the proprietor. Property of FCI. Copyright FCI.



PRODUCT NUMBER
51940-226...
NOTE: 3



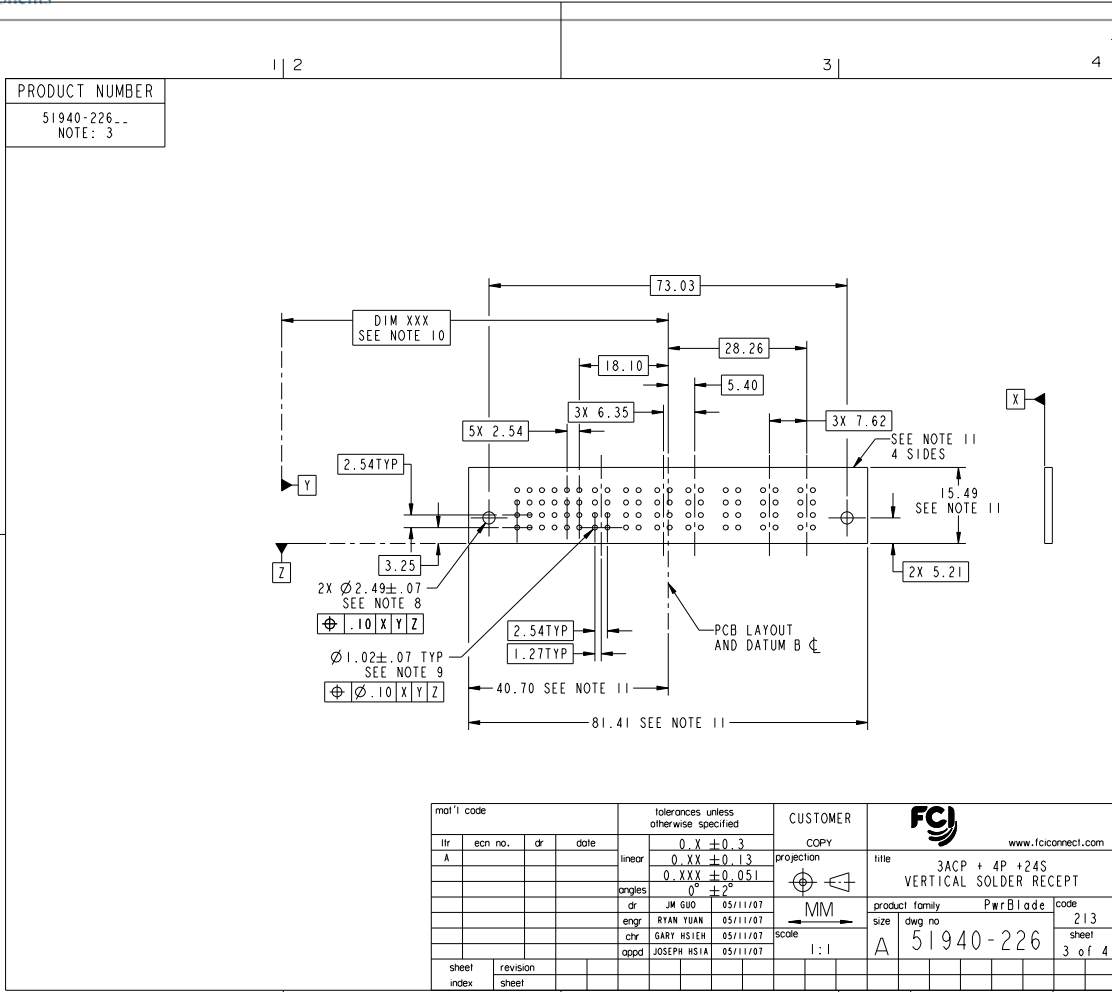
mat'l code				tolerances unless otherwise specified		CUSTOMER		FCI	
ltr	ecm no.	dr	date	linear	0.X ± 0.3	COPY	www.fciconnect.com		
A					0.XX ± 0.13	projection	title		
				angles	0.XXX ± 0.051		3ACP + 4P + 24S VERTICAL SOLDER RECEPT		
				dr	0° ± 2°	MM	product family	PwrBlade	code
				enr	JM GUO 05/11/07	scale	size	dwg no	213
				chr	RYAN YUAN 05/11/07	1:1	A	51940-226	sheet
				oppd	GARY HSIEH 05/11/07				2 of 4
					JOSEPH HSIA 05/11/07				
sheet index	revision sheet								

Pro/E

cage code 22526

Tous droits strictement réservés. Reproduction ou communication à des tiers interdite sous quelque forme que ce soit sans autorisation écrite du propriétaire. Propriété de FCI. Droits de reproduction FCI.

All rights strictly reserved. Reproduction or issue to third parties in any form whatever is not permitted without written authority from the proprietor. Property of FCI. Copyright FCI.



mat'l code				tolerances unless otherwise specified				CUSTOMER		FCI		www.fciconnect.com	
ltr	ecm no.	dr	date	linear	0.X ± 0.3	projection	COPY		title				
A					0.XX ± 0.13		MM		3ACP + 4P + 24S				
				angles	0.XXX ± 0.051		MM		VERTICAL SOLDER RECEPT				
				dr	0° ± 2°	MM		product family		PwrBlade		code	
				enr	JM GUO 05/11/07	MM		size		dwg no		213	
				chr	RYAN YUAN 05/11/07	MM		A		51940-226		sheet	
				oppd	GARY HSIEH 05/11/07	MM		scale		1:1		3 of 4	
					JOSEPH HSIA 05/11/07	MM							
sheet index	revision sheet												

Tous droits strictement réservés. Reproduction ou communication à des tiers interdite sous quelque forme que ce soit sans autorisation écrite du propriétaire. Propriété de FCI. Droits de reproduction FCI.

All rights strictly reserved. Reproduction or issue to third parties in any form whatever is not permitted without written authority from the proprietor. Property of FCI. Copyright FCI.

PRODUCT NUMBER
51940-226-
NOTE: 3

NOTES:

1. DIMENSIONS AND TOLERANCES ARE IN ACCORDANCE WITH ASME Y14.5M, 1994 UNLESS OTHERWISE SPECIFIED.

CONNECTOR NOTES:

- ② HOUSING MATERIAL: UL 94 V-0 GLASS FILLED
HIGH-TEMP THERMOPLASTIC
POWER CONTACT MATERIAL: COPPER ALLOY
SIGNAL PIN MATERIAL: COPPER ALLOY
- 3. PLATING SPEC.
51940-226, 51940-226LF PLATING SPEC. WAS SHOWN IN THE PRINT OF 10064183.
- ④ MANUFACTURER'S NAME, P/N, AND DATE CODE TO APPEAR ON THIS SURFACE.
- 5. PRODUCT SPECIFICATION GS-12-149.
APPLICATION SPECIFICATION BUS-20-067.
- 6. PACKAGED IN TRAYS.
- PCB NOTES:
- 7. ALL HOLE DIAMETERS ARE FINISHED HOLE SIZE.
- ⑧ MOUNTING HOLES, WHERE APPLICABLE, ARE UNPLATED.
- ⑨ $\varnothing 1.151 \pm 0.025$ DRILLED HOLES PLATED WITH 0.008 MIN SnPb OR Sn OVER 0.03 TO 0.08 Cu PLATING TO ACHIEVE $\varnothing 1.02 \pm .07$ HOLE.
- ⑩ "DIM XXX" TO BE DETERMINED BY THE CUSTOMER.
- ⑪ CONNECTOR KEEP-OUT ZONE.

mat'l code				tolerances unless otherwise specified		CUSTOMER		FCI	
ltr	ecm no.	dr	date	linear	angular	projection	copy	title	www.fciconnect.com
A				$0.X \pm 0.3$	$0.XX \pm 0.13$		COPY	3ACP + 4P + 24S VERTICAL SOLDER RECEPT	
				$0.XXX \pm 0.051$	$0^\circ \pm 2^\circ$			product family PwrBlade	code 213
				dr JM GUO 05/11/07	engr RYAN YUAN 05/11/07	scale 1:1		size A	sheet 4 of 4
				chr GARY HSIEH 05/11/07	appd JOSEPH HSIA 05/11/07			dwg no 51940-226	
sheet index	revision sheet							cage code 22526	