

Excellent Integrated System Limited

Stocking Distributor

Click to view price, real time Inventory, Delivery & Lifecycle Information:

[FCI](#)
[51940-265LF](#)

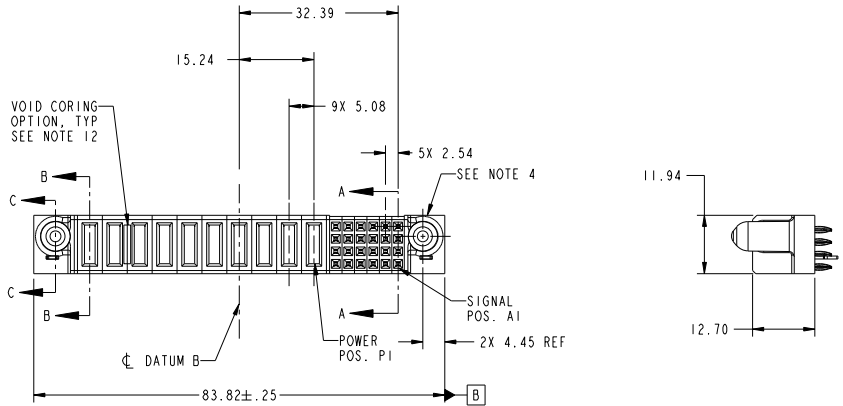
For any questions, you can email us directly:
sales@integrated-circuit.com

Tous droits strictement réservés. Reproduction ou communication à des tiers interdite sous quelque forme que ce soit sans autorisation écrite du propriétaire. Propriété de FCI. Droits de reproduction FCI.



All rights strictly reserved. Reproduction or issue to third parties in any form whatever is not permitted without written authority from the proprietor. Property of FCI. Copyright FCI.

PRODUCT NO.	ROWS	POWER										SIGNAL						
		E2	P10	P9	P8	P7	P6	P5	P4	P3	P2	P1	4	3	2	1	E1	
51940-265..	10	HA	PF	PF	PC	PC	PC	PC	PC	PC	PF	PF	PF	PF	PF	PF	PF	HA



CODE	DIM "M" MATING LENGTH	CONTACT TYPE
PF	[2.34]	POWER
F	[N/A]	SIGNAL
HA	[N/A]	HOLD-DOWN
PC	[1.07]	POWER

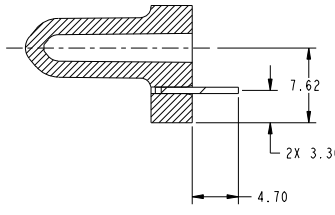
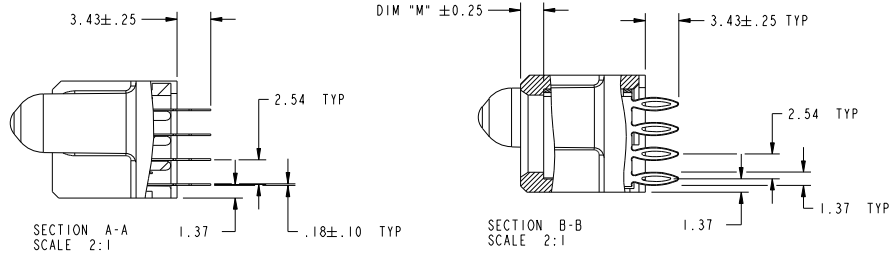
SEE NOTES				tolerances unless otherwise specified		CUSTOMER	
ltr	ecm no.	dr	date	linear	0.X ±0.5	COPY	www.fciconnect.com
A	DG08-0259	SH	09/17/08		0.XX ±0.25	projection	title
				angles	0.XXX ±0.1	MM	24S + 10P
				dr	0° ±2°	scale	VERTICAL PRESS-FIT RECEPT
				enr	Sincere He 09/17/08	1:1	product family
				chr	Sincere He 09/17/08		PwrBlade
				oppd	Gary Hsieh 09/17/08		size
					Joseph Hsia 09/17/08		dwg no
sheet index	revision sheet	A 1	A 2	A 3	A 4		51940-265
							code
							213
							sheet
							1 of 4
							code
							22526

Tous droits strictement réservés. Reproduction ou communication à des tiers interdite sous quelque forme que ce soit sans autorisation écrite du propriétaire. Propriété de FCI. Droits de reproduction FCI.

All rights strictly reserved. Reproduction or issue to third parties in any form whatever is not permitted without written authority from the proprietor. Property of FCI. Copyright FCI.



PRODUCT NUMBER
51940-265...
NOTE: 3



mat'l code				tolerances unless otherwise specified				CUSTOMER		FCI		www.fciconnect.com	
ltr	ecm no.	dr	date	linear	0.X ± 0.5	projection	COPY		title				
A					0.XX ± 0.25	MM	24S + 10P		VERTICAL PRESS-FIT RECEPT				
				angles	0° ± 2°	scale	product family		PwrBlade		code		
				dr	Sincere He 09/17/08	1:1	size		dwg no		213		
				enr	Sincere He 09/17/08		A		51940-265		sheet		
				chr	Gary Hsieh 09/17/08						2 of 4		
				oppd	Joseph Hsia 09/17/08								
sheet index	revision sheet												

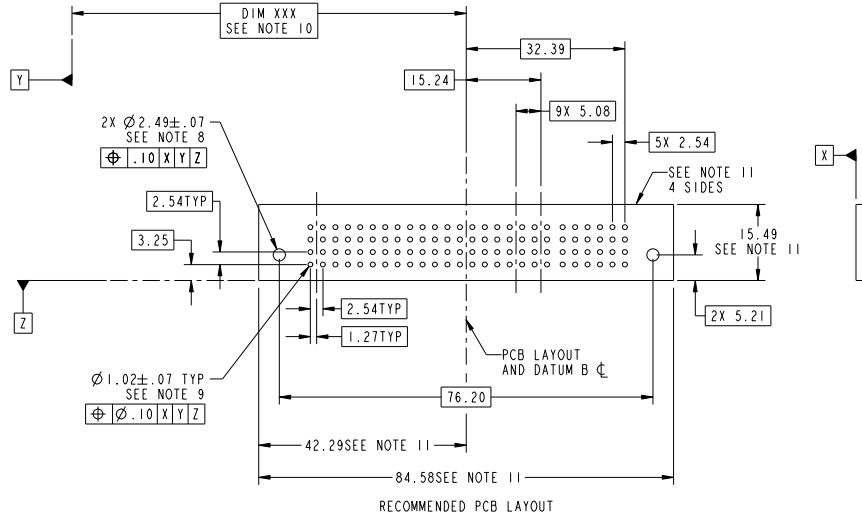
Pro/E 3 cage code 22526 4

Tous droits strictement réservés. Reproduction ou communication à des tiers interdite sous quelque forme que ce soit sans autorisation écrite du propriétaire. Propriété de FCI. Droits de reproduction FCI.

All rights strictly reserved. Reproduction or issue to third parties in any form whatever is not permitted without written authority from the proprietor. Property of FCI. Copyright FCI.



PRODUCT NUMBER
51940-265...
NOTE: 3



RECOMMENDED PCB LAYOUT

mat'l code				tolerances unless otherwise specified		CUSTOMER	
ltr	ecm no.	dr	date	linear	0 . X ± 0 . 5	projection	www.fciconnect.com
A					0 . XX ± 0 . 25	MM	24S + 10P
				angles	0 . XXX ± 0 . 1	scale	VERTICAL PRESS-FIT RECEPT
				dr	0° ± 2°	1:1	product family PwrBlade code
				engr	Sincere He 09/17/08		size dwg no 213
				chr	Sincere He 09/17/08		51940-265 sheet
				oppd	Gary Hsieh 09/17/08		3 of 4
					Joseph Hsia 09/17/08		
sheet index	revision sheet						cage code 22526

Tous droits strictement réservés. Reproduction ou communication à des tiers interdite sous quelque forme que ce soit sans autorisation écrite du propriétaire. Propriété de FCI. Droits de reproduction FCI.

All rights strictly reserved. Reproduction or issue to third parties in any form whatever is not permitted without written authority from the proprietor. Property of FCI. Copyright FCI.

PRODUCT NUMBER
51940-265-
NOTE: 3

NOTES:

1. DIMENSIONS AND TOLERANCES ARE IN ACCORDANCE WITH ASME Y14.5M, 1994 UNLESS OTHERWISE SPECIFIED.

CONNECTOR NOTES:

② HOUSING MATERIAL: UL 94 V-0 GLASS FILLED
HIGH-TEMP THERMOPLASTIC
POWER CONTACT MATERIAL: COPPER ALLOY
SIGNAL PIN MATERIAL: COPPER ALLOY

3. PLATING SPEC.
SEE ITEM 7 & 8 IN PRINT 10064183 FOR PLATING SPEC OF 51940-265 AND 51940-265LF RESPECTIVELY

④ MANUFACTURER'S NAME, P/N, AND DATE CODE TO APPEAR ON THIS SURFACE.

5. PRODUCT SPECIFICATION GS-12-149.
APPLICATION SPECIFICATION BUS-20-067.

6. PACKAGED IN TRAYS.

PCB NOTES:

7. ALL HOLE DIAMETERS ARE FINISHED HOLE SIZE.

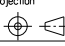

⑧ MOUNTING HOLES, WHERE APPLICABLE, ARE UNPLATED.

⑨ $\varnothing 1.151 \pm 0.025$ DRILLED HOLES PLATED WITH
0.008 MIN SnPb OR Sn OVER 0.03
TO 0.08 Cu PLATING TO ACHIEVE
 $\varnothing 1.02 \pm .07$ HOLE.

⑩ "DIM XXX" TO BE DETERMINED BY THE CUSTOMER.

⑪ CONNECTOR KEEP-OUT ZONE.

12 THE VOID CORING IN BETWEEN POWER MODULES, SIGNAL MODULES AND END MODULES ARE OPTIONAL AND THE SHAPE MAY BE DIFFERENT FOR OPTIMIZE THE MOLDING PROCESS. THE VOID CORING WILL NO EFFECT TO PRODUCT FUNCTION.

mat'l code				tolerances unless otherwise specified		CUSTOMER		FCI	
ltr	ecm no.	dr	date	linear	0.X ± 0.5	COPY		www.fciconnect.com	
A					0.XX ± 0.25	projection	title		
				angles	0° ± 2°			24S + 10P	
				dr	Sincere He 09/17/08			VERTICAL PRESS-FIT RECEPT	
				engr	Sincere He 09/17/08	product family	PwrBlade	code	213
				chr	Gary Hsieh 09/17/08	size	A	dwg no	51940-265
				appd	Joseph Hsia 09/17/08	scale	1:1		4 of 4
sheet index	revision sheet								

Pro/E

cage code 22526