

Excellent Integrated System Limited

Stocking Distributor

Click to view price, real time Inventory, Delivery & Lifecycle Information:

[FCI](#)

[51940-276LF](#)

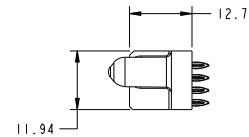
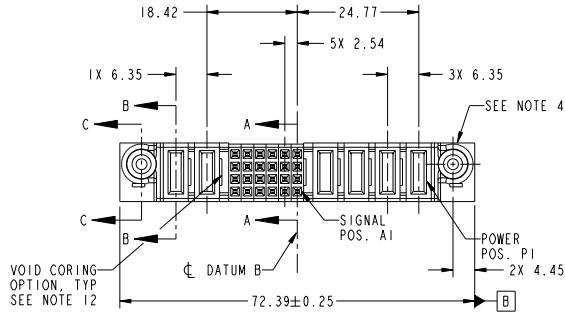
For any questions, you can email us directly:

sales@integrated-circuit.com

Tous droits strictement réservés. Reproduction ou communication à des tiers interdite sous quelque forme que ce soit sans autorisation écrite du propriétaire. Propriété de FCI. Droits de reproduction FCI.

All rights strictly reserved. Reproduction or issue to third parties in any form whatever is not permitted without written authority from the proprietor. Property of FCI. Copyright FCI.

PRODUCT NO.	ROWS	POWER		SIGNAL						POWER				E1			
		E2	P6	P5	4	3	2	1	P4	P3	P2	P1					
51940-276... NOTE: 3	1 A																



CODE	DIM "M" MATING LENGTH	CONTACT TYPE
PC	[1.07]	POWER
PF	[2.34]	POWER
F	[N/A]	SIGNAL

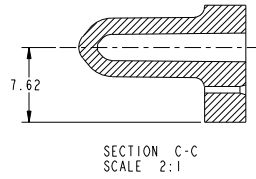
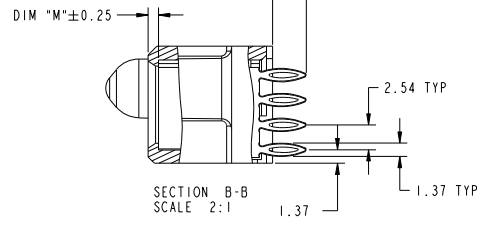
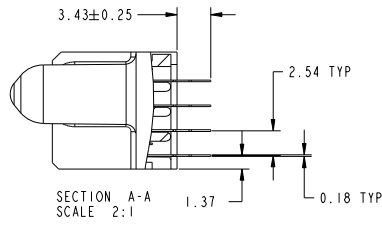
material code		SEE NOTES		tolerances unless otherwise specified		CUSTOMER	
ltr	ecm no.	dr	date	linear	0.X ± 0.5	COPY	www.fciconnect.com
A	DG09-0327	WL	10/22/09		0.XX ± 0.25	projection	
				angles	0.XXX ± 0.1		title
				dr	0° ± 2°	MM	4P + 24S + 2P
				enr	WL ZHANG 10/22/09	scale	VERTICAL PRESS-FIT RECEIPT
				chr	JEROME CHEN 10/22/09	1:1	product family
				oppd	PW ZHENG 10/22/09		PwrBlade
					JOSEPH HSIA 10/22/09		code
sheet index	revision sheet	A	A	A	A		size
		1	2	3	4		dwg no
							51940-276
							213 sheet
							1 of 4
							code
							22526

Tous droits strictement réservés. Reproduction ou communication à des tiers interdite sous quelque forme que ce soit sans autorisation écrite du propriétaire. Propriété de FCI. Droits de reproduction FCI.

All rights strictly reserved. Reproduction or issue to third parties in any form whatever is not permitted without written authority from the proprietor. Property of FCI. Copyright FCI.



PRODUCT NUMBER
51940-276..
NOTE: 3



mat'l code				tolerances unless otherwise specified		CUSTOMER		FCI	
ltr	ecm no.	dr	date	linear	0.X ±0.5	COPY	www.fciconnect.com		
A					0.XX ±0.25	projection		title 4P + 24S + 2P	
				angles	0.XXX ±0.1			VERTICAL PRESS-FIT RECEPT	
				dr	0° ±2°	MM		product family	PwrBlade
				enr	WL ZHANG 10/22/09	scale		size	code
				chr	JEROME CHEN 10/22/09	1:1		dwg no	213
				oppd	PM ZHENG 10/22/09			51940-276	sheet
sheet index	revision sheet				JOSEPH HSIA 10/22/09			2 of 4	

Pro/E

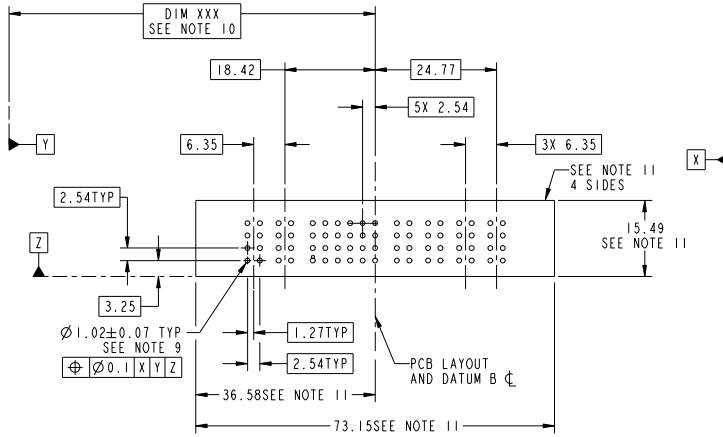
cage code 22526

Tous droits strictement réservés. Reproduction ou communication à des tiers interdite sous quelque forme que ce soit sans autorisation écrite du propriétaire. Propriété de FCI. Droits de reproduction FCI.

All rights strictly reserved. Reproduction or issue to third parties in any form whatever is not permitted without written authority from the proprietor. Property of FCI. Copyright FCI.



PRODUCT NUMBER
51940-276..
NOTE: 3



mat'l code				tolerances unless otherwise specified		CUSTOMER	
ltr	ecm no.	dr	date	linear	0.X ±0.5	COPY	www.fciconnect.com
A					0.XX ±0.25	projection	
				angles	0.XXX ±0.1		title
					0° ±2°	MM	4P + 24S + 2P
		dr	WL ZHANG	engr	JEROME CHEN	scale	VERTICAL PRESS-FIT RECEPT
		chr	PW ZHENG	appr	JOSEPH HSIA	1:1	product family
		sheet		revision			PwrBlade
index	sheet						code
							213
							sheet
							3 of 4
							code
							22526

Tous droits strictement réservés. Reproduction ou communication à des tiers interdite sous quelque forme que ce soit sans autorisation écrite du propriétaire. Propriété de FCI. Droits de reproduction FCI.

All rights strictly reserved. Reproduction or issue to third parties in any form whatever is not permitted without written authority from the proprietor. Property of FCI. Copyright FCI.



PRODUCT NUMBER
 51940-276..
 NOTE: 3

NOTES:

1. DIMENSIONS AND TOLERANCES ARE IN ACCORDANCE WITH ASME Y14.5M, 1994 UNLESS OTHERWISE SPECIFIED.
- CONNECTOR NOTES:
- ② HOUSING MATERIAL: UL 94 V-0 GLASS FILLED HIGH-TEMP THERMOPLASTIC
 POWER CONTACT MATERIAL: COPPER ALLOY
 SIGNAL PIN MATERIAL: COPPER ALLOY
3. PLATING SPEC.
 SEE NOTE 7 & 8 IN PRINT 10064183 FOR PLATING SPEC OF 51940-276, 51940-276LF RESPECTIVELY.
- ④ MANUFACTURER'S NAME, DATE CODE AND OPTIONAL P/N TO APPEAR ON THIS SURFACE.
 THE P/N CAN BE OMITTED IF THERE IS NOT ENOUGH SPACE ON THIS SURFACE.
5. PRODUCT SPECIFICATION GS-12-149.
 APPLICATION SPECIFICATION BUS-20-067.
6. PACKAGED IN TRAYS.
- PCB NOTES:
7. ALL HOLE DIAMETERS ARE FINISHED HOLE SIZE.
- ⑧ MOUNTING HOLES, WHERE APPLICABLE, ARE UNPLATED.
- ⑨ $\varnothing 1.151 \pm 0.025$ DRILLED HOLES PLATED WITH
 0.008 MIN SnPb OR Sn OVER 0.03
 TO 0.08 Cu PLATING TO ACHIEVE
 $\varnothing 1.02 \pm 0.07$ HOLE.
- ⑩ "DIM XXX" TO BE DETERMINED BY THE CUSTOMER.
- ⑪ CONNECTOR KEEP-OUT ZONE.
12. THE VOID CORING IN BETWEEN POWER MODULES, SIGNAL MODULES AND END MODULES ARE OPTIONAL AND THE SHAPE MAY BE DIFFERENT FOR OPTIMIZE THE MOLDING PROCESS. THE VOID CORING WILL NOT EFFECT TO PRODUCT FUNCTION.

mat'l code				tolerances unless otherwise specified		CUSTOMER		FCI	
ltr	ecn no.	dr	date	linear	0.X ± 0.5	COPY	www.fciconnect.com		
A					0.XX ± 0.25	projection	title 4P + 24S + 2P		
				angles	0.XXX ± 0.1		VERTICAL PRESS-FIT RECEIPT		
					0° ± 2°	MM	product family	PwrBlade	code
		dr	WL ZHANG	10/22/09		size	dwg no	213	sheet
		engr	JEROME CHEN	10/22/09		scale	51940-276	4 of 4	
		chr	PM ZHENG	10/22/09					
		oppd	JOSEPH HSIA	10/22/09					
sheet index	revision sheet								

Pro/E

cage code 22526