

Excellent Integrated System Limited

Stocking Distributor

Click to view price, real time Inventory, Delivery & Lifecycle Information:

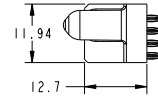
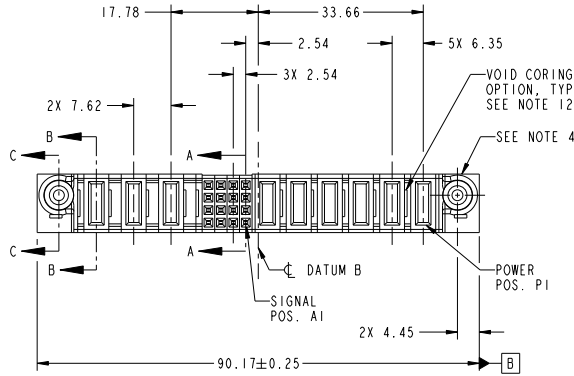
[FCI](#)
[51940-279LF](#)

For any questions, you can email us directly:
sales@integrated-circuit.com

Tous droits strictement réservés. Reproduction ou communication à des tiers interdite sous quelque forme que ce soit sans autorisation écrite du propriétaire. Propriété de FCI. Droits de reproduction FCI.

All rights strictly reserved. Reproduction or issue to third parties in any form whatever is not permitted without written authority from the proprietor. Property of FCI. Copyright FCI.

PRODUCT NO.	ROWS	POWER				SIGNAL		POWER					E1	
		E2	P9	P8	P7	1	2	P6	P5	P4	P3	P2		P1
51940-279-.. NOTE: 3	D A													



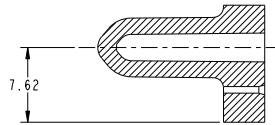
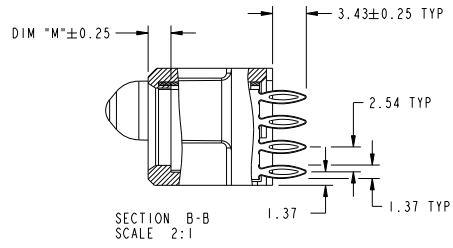
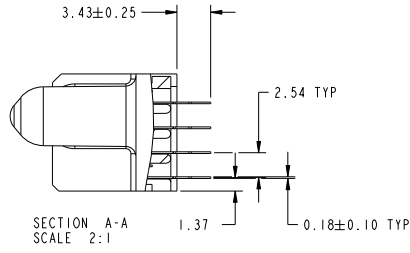
CODE	DIM "M" MATING LENGTH	CONTACT TYPE
PF	[2.34]	POWER
F	[N/A]	SIGNAL
PC	[1.07]	POWER

mat'l code		SEE NOTES		tolerances unless otherwise specified		CUSTOMER	
ltr	ecm no.	dr	date	linear	0.X ±0.5	COPY	www.fciconnect.com
A	DG09-0033	WD	02/16/09		0.XX ±0.25	projection	
				angles	0.XXX ±0.1		title
				dr	0° ±2°	MM	6P + 16S + 3ACP
				enr		MM	VERTICAL PRESS-FIT RECEIPT
				chr		scale	product family
				oppd		1:1	PwrBlade
sheet index	revision sheet	A 1	A 2	A 3	A 4	size	code
						A	213
						dwg no	sheet
						51940-279	1 of 4
						code code	
						22526	

Tous droits strictement réservés. Reproduction ou communication à des tiers interdite sous quelque forme que ce soit sans autorisation écrite du propriétaire. Propriété de FCI. Droits de reproduction FCI.

All rights strictly reserved. Reproduction or issue to third parties in any form whatever is not permitted without written authority from the proprietor. Property of FCI. Copyright FCI.

PRODUCT NUMBER
51940-279-
NOTE: 3



mat'l code				tolerances unless otherwise specified		CUSTOMER		FCI	
ltr	ecm no.	dr	date	linear	0.X ±0.5	COPY	www.fciconnect.com		
A					0.XX ±0.25	projection		title	
					0.XXX ±0.1			6P + 16S + 3ACP	
				angles	0° ±2°			VERTICAL PRESS-FIT RECEIPT	
		dr	Warren Du		02/10/09	scale		product family	PwrBlade
		engr	Warren Du		02/10/09	1:1		size	A
		chr	Gary Hsieh		02/10/09			dwg no	51940-279
		appd	Joseph Hsia		02/10/09			code	213
sheet index	revision sheet							sheet	2 of 4

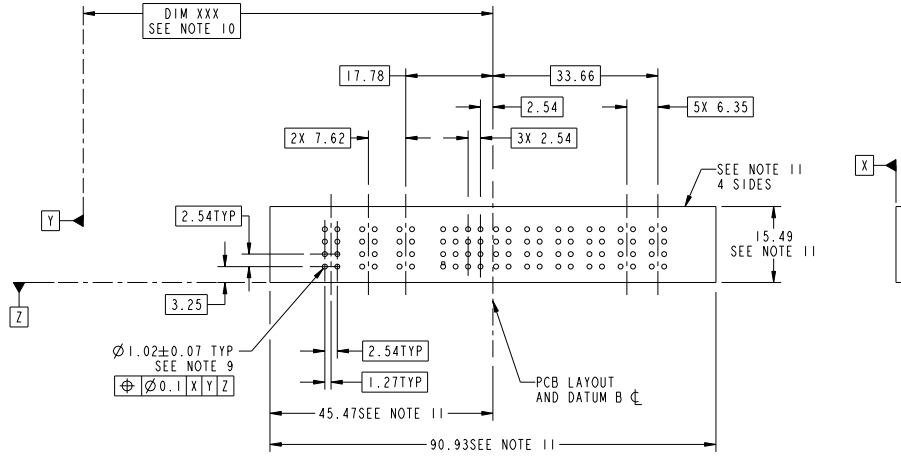
Pro/E

cage code 22526

Tous droits strictement réservés. Reproduction ou communication à des tiers interdite sous quelque forme que ce soit sans autorisation écrite du propriétaire. Propriété de FCI. Droits de reproduction FCI.

All rights strictly reserved. Reproduction or issue to third parties in any form whatever is not permitted without written authority from the proprietor. Property of FCI. Copyright FCI.

PRODUCT NUMBER
51940-279_
NOTE: 3



RECOMMENDED PCB LAYOUT

mat'l code				tolerances unless otherwise specified		CUSTOMER	
ltr	ecm no.	dr	date	linear	0.X ± 0.5	projection	www.fciconnect.com
A					0.XX ± 0.25	MM	6P + 16S + 3ACP
				angles	0.XXX ± 0.1	MM	VERTICAL PRESS-FIT RECEIPT
				dr	0° ± 2°	MM	product family PwrBlade code
				enr	Warren Du 02/10/09	MM	size 213
				chr	Warren Du 02/10/09	MM	dwg no 51940-279
				oppd	Gary Hsieh 02/10/09	MM	sheet 3 of 4
					Joseph Hsia 02/10/09	MM	scale 1:1
sheet index	revision	sheet					

Pro/E

cage code 22526

Tous droits strictement réservés. Reproduction ou communication à des tiers interdite sous quelque forme que ce soit sans autorisation écrite du propriétaire. Propriété de FCI. Droits de reproduction FCI.

All rights strictly reserved. Reproduction or issue to third parties in any form whatever is not permitted without written authority from the proprietor. Property of FCI. Copyright FCI.

PRODUCT NUMBER
51940-279_-
NOTE: 3

NOTES:

1. DIMENSIONS AND TOLERANCES ARE IN ACCORDANCE WITH ASME Y14.5M, 1994 UNLESS OTHERWISE SPECIFIED.

CONNECTOR NOTES:

- ② HOUSING MATERIAL: UL 94 V-0 GLASS FILLED HIGH-TEMP THERMOPLASTIC
POWER CONTACT MATERIAL: COPPER ALLOY
SIGNAL PIN MATERIAL: COPPER ALLOY
- 3. SEE ITEM 7 & 8 IN PRINT 10064183 FOR PLATING SPEC OF 51940-279 AND 51940-279LF RESPECTIVELY.
- ④ MANUFACTURER'S NAME, P/N, AND DATE CODE TO APPEAR ON THIS SURFACE.
- 5. PRODUCT SPECIFICATION GS-12-149.
APPLICATION SPECIFICATION BUS-20-067.
- 6. PACKAGED IN TRAYS.
- PCB NOTES:
- 7. ALL HOLE DIAMETERS ARE FINISHED HOLE SIZE.
- ⑧ MOUNTING HOLES, WHERE APPLICABLE, ARE UNPLATED.

- ⑨ $\varnothing 1.151 \pm 0.025$ DRILLED HOLES PLATED WITH
0.008 MIN SnPb OR Sn OVER 0.03
TO 0.08 Cu PLATING TO ACHIEVE
 $\varnothing 1.02 \pm 0.07$ HOLE.
- ⑩ "DIM XXX" TO BE DETERMINED BY THE CUSTOMER.
- ⑪ CONNECTOR KEEP-OUT ZONE.
- 12. THE VOID CORING IN BETWEEN POWER MODULES, SIGNAL MODULES AND END MODULES ARE OPTIONAL AND THE SHAPE MAY BE DIFFERENT FOR OPTIMIZE THE MOLDING PROCESS. THE VOID CORING WILL NOT EFFECT TO PRODUCT FUNCTION.

mat'l code				tolerances unless otherwise specified		CUSTOMER		FCI	
ltr	ecm no.	dr	date			COPY		www.fciconnect.com	
A				linear	0.X ± 0.5	projection		title	
					0.XX ± 0.25			6P + 16S + 3ACP	
				angles	0.XXX ± 0.1			VERTICAL PRESS-FIT RECEIPT	
				dr	0° ± 2°	scale		product family	PwrBlade
				engr	Warren Du 02/10/09	1:1		size	A
				chr	Warren Du 02/10/09			dwg no	51940-279
				oppd	Gary Hsieh 02/10/09			code	213
					Joseph Hsia 02/10/09			sheet	4 of 4
sheet index	revision sheet								

Pro/E

cage code 22526