

## Excellent Integrated System Limited

Stocking Distributor

Click to view price, real time Inventory, Delivery & Lifecycle Information:

[FCI](#)  
[51940-290LF](#)

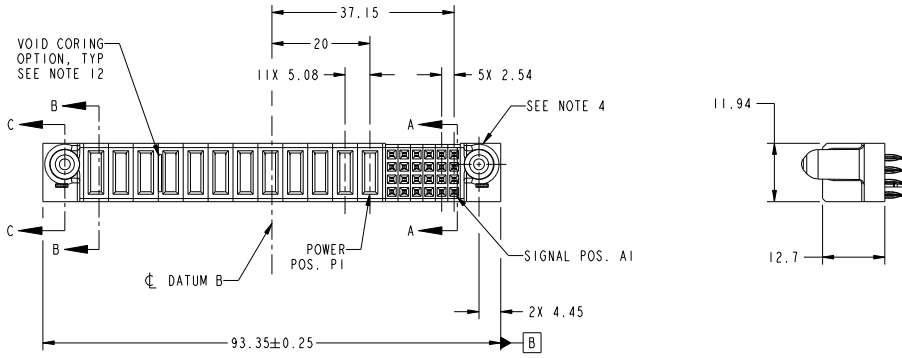
For any questions, you can email us directly:  
[sales@integrated-circuit.com](mailto:sales@integrated-circuit.com)

Tous droits strictement réservés. Reproduction ou communication à des tiers interdite sous quelque forme que ce soit sans autorisation écrite du propriétaire. Propriété de FCI. Droits de reproduction FCI.

All rights strictly reserved. Reproduction or issue to third parties in any form whatever is not permitted without written authority from the proprietor. Property of FCI. Copyright FCI.



PRODUCT NO.	ROWS	POWER												SIGNAL					
		E2	P12	P11	P10	P9	P8	P7	P6	P5	P4	P3	P2	P1	4	3	2	1	E1
51940-290-.. NOTE: 3	D C B A																		



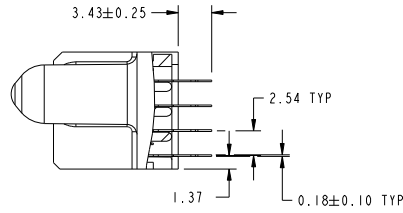
CODE	DIM "M" MATING LENGTH	CONTACT TYPE
PF	[2.34]	POWER
F	[N/A]	SIGNAL
HA	[N/A]	HOLD-DOWN

mat'l code				SEE NOTES		tolerances unless otherwise specified		CUSTOMER	
ltr	ecn no.	dr	date			0.X ± 0.5		COPY	www.fciconnect.com
A	DG09-0126	WD	04/23/09	linear		0.XX ± 0.25		projection	title
B	DG10-0341	PB	09/28/10	angles		0.XXX ± 0.1		MM	VERTICAL PRESS-FIT RECEPT
				dr	Warren Du	04/16/09		scale	product family
				enr	Warren Du	04/16/09		1:1	PwrBlade
				chr	PM ZHENG	04/16/09			size
				oppd	Joseph Hsiao	04/16/09			dwg no
sheet index	revision sheet	B	B	B	B	B	B		51940-290
		1	2	3	4				213 sheet 1 of 4
									cage code
									22526

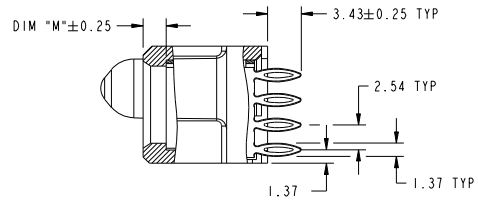
Tous droits strictement réservés. Reproduction ou communication à des tiers interdite sous quelque forme que ce soit sans autorisation écrite du propriétaire. Propriété de FCI. Droits de reproduction FCI.

All rights strictly reserved. Reproduction or issue to third parties in any form whatever is not permitted without written authority from the proprietor. Property of FCI. Copyright FCI.

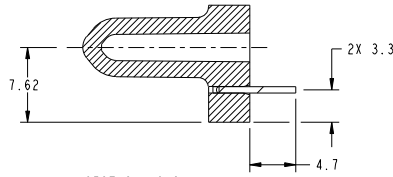
PRODUCT NUMBER  
51940-290-  
NOTE: 3



SECTION A-A  
SCALE 2:1



SECTION B-B  
SCALE 2:1



SECTION C-C  
SCALE 2:1

mat'l code				tolerances unless otherwise specified		CUSTOMER		FCI	
lfr	ecm no.	dr	date	linear	0.X ±0.5	COPY	www.fciconnect.com		
B					0.XX ±0.25	projection		title	
					0.XXX ±0.1			24S + 12P	
				angles	0° ±2°			VERTICAL PRESS-FIT RECEIPT	
				dr	Warren Du 04/16/09	scale		product family	PwrBlade
				enr	Warren Du 04/16/09	1:1		size	code
				chr	PM ZHENG 04/16/09			dwg no	213
				oppd	Joseph Hsiao 04/16/09			51940-290	sheet
sheet index	revision sheet								2 of 4

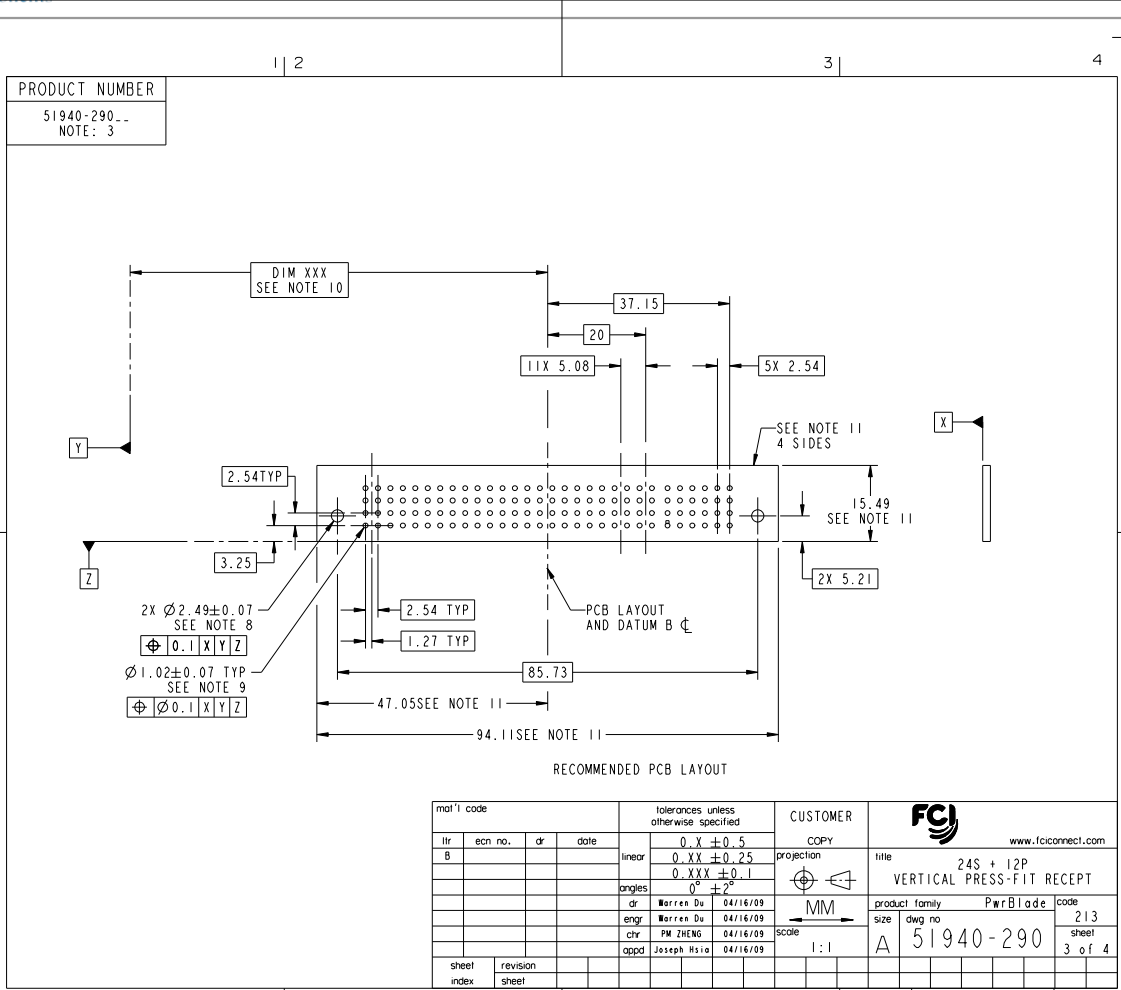
Pro/E

cage code 22526

Tous droits strictement réservés. Reproduction ou communication à des tiers interdite sous quelque forme que ce soit sans autorisation écrite du propriétaire. Property of FCI. Droits de reproduction FCI.



All rights strictly reserved. Reproduction or issue to third parties in any form whatever is not permitted without written authority from the proprietor. Property of FCI. Copyright FCI.



mat'l code				tolerances unless otherwise specified		CUSTOMER	
ltr	ecm no.	dr	date	linear	0.X ± 0.5	COPY	www.fciconnect.com
B					0.XX ± 0.25	projection	title
					0.XXX ± 0.1		24S + 12P
				angles	0° ± 2°		VERTICAL PRESS-FIT RECEPT
		dr	Warren Du			scale	product family
		enr	Warren Du			1:1	PwrBlade
		chr	PM ZHENG				size
		oppd	Joseph Hsiao				dwg no
							51940-290
sheet index	revision sheet						code
							213
							sheet
							3 of 4

Tous droits strictement réservés. Reproduction ou communication à des tiers interdite sous quelque forme que ce soit sans autorisation écrite du propriétaire. Propriété de FCI. Droits de reproduction FCI.

All rights strictly reserved. Reproduction or issue to third parties in any form whatever is not permitted without written authority from the proprietor. Property of FCI. Copyright FCI.

PRODUCT NUMBER  
51940-290\_  
NOTE: 3

NOTES:

1. DIMENSIONS AND TOLERANCES ARE IN ACCORDANCE WITH ASME Y14.5M, 1994 UNLESS OTHERWISE SPECIFIED.

CONNECTOR NOTES:

- ② HOUSING MATERIAL: UL 94 V-0 GLASS FILLED HIGH-TEMP THERMOPLASTIC  
POWER CONTACT MATERIAL: COPPER ALLOY  
SIGNAL PIN MATERIAL: COPPER ALLOY
- 3. SEE ITEM 5 & 6 IN PRINT 10064183 FOR PLATING SPEC OF 51940-290 AND 51940-290LF RESPECTIVELY.

④ MANUFACTURER'S NAME, P/N, AND DATE CODE TO APPEAR ON THIS SURFACE.

5. PRODUCT SPECIFICATION GS-12-149.  
APPLICATION SPECIFICATION BUS-20-067.

6. PACKAGED IN TRAYS.

PCB NOTES:

7. ALL HOLE DIAMETERS ARE FINISHED HOLE SIZE.

⑧ MOUNTING HOLES, WHERE APPLICABLE, ARE UNPLATED.

⑨  $\varnothing 1.151 \pm 0.025$  DRILLED HOLES PLATED WITH 0.008 MIN SnPb OR Sn OVER 0.03 TO 0.08 Cu PLATING TO ACHIEVE  $\varnothing 1.02 \pm 0.07$  HOLE.

⑩ "DIM XXX" TO BE DETERMINED BY THE CUSTOMER.

⑪ CONNECTOR KEEP-OUT ZONE.

12. THE VOID CORING IN BETWEEN POWER MODULES, SIGNAL MODULES AND END MODULES ARE OPTIONAL AND THE SHAPE MAY BE DIFFERENT FOR OPTIMIZE THE MOLDING PROCESS. THE VOID CORING WILL NOT EFFECT TO PRODUCT FUNCTION.

mat'l code				tolerances unless otherwise specified		CUSTOMER		FCI	
ltr	ecn no.	dr	date	linear	0.X ± 0.5	COPY		www.fciconnect.com	
B					0.XX ± 0.25	projection	title		
				angles	0.XXX ± 0.1		VERTICAL PRESS-FIT RECEPT		
				dr	0° ± 2°		product family	PwrBlade	code
				engr	Warren Du 04/16/09	scale	size	dwg no	213
				chr	PM ZHENG 04/16/09	1:1	A	51940-290	sheet
				oppd	Joseph Hsiao 04/16/09				4 of 4
sheet index	revision sheet								

Pro/E

cage code 22526