

Excellent Integrated System Limited

Stocking Distributor

Click to view price, real time Inventory, Delivery & Lifecycle Information:

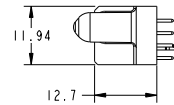
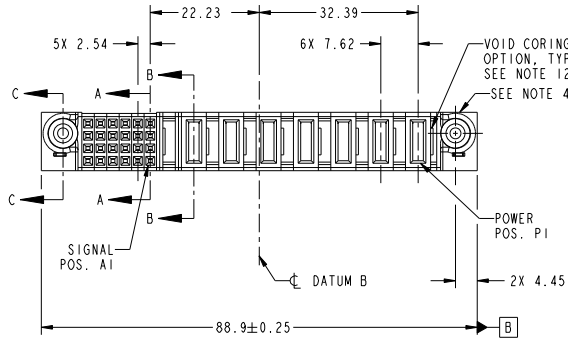
[FCI](#)
[51940-329LF](#)

For any questions, you can email us directly:
sales@integrated-circuit.com

Tous droits strictement réservés. Reproduction ou communication à des tiers interdite sous quelque forme que ce soit sans autorisation écrite du propriétaire. Propriété de FCI. Droits de reproduction FCI.

All rights strictly reserved. Reproduction or issue to third parties in any form whatever is not permitted without written authority from the proprietor. Property of FCI. Copyright FCI.

PRODUCT NO.	ROWS	SIGNAL				POWER							E1	
		E2	4	3	2	1	P7	P6	P5	P4	P3	P2		P1
51940-329-..	10	HA	PA	PA	PA	PA	PD	PD	PD	PD	PD	PD	PD	HA
NOTE: 3														



CODE	DIM "M" MATING LENGTH	CONTACT TYPE
E	[N/A]	SIGNAL
PD	[2.34]	POWER
HA	[N/A]	HOLD-DOWN
PA	[1.07]	POWER

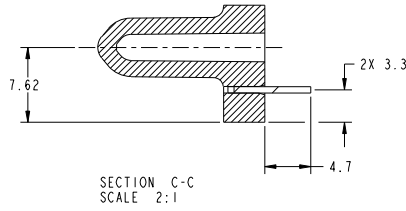
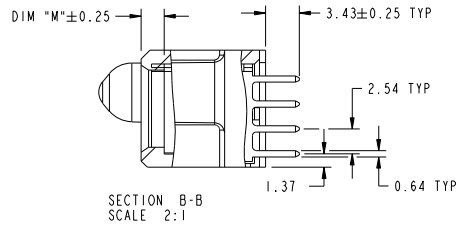
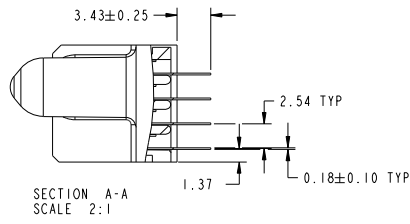
mat'l code				SEE NOTES		tolerances unless otherwise specified		CUSTOMER	
lfr	ecm no.	dr	date	linear	0.X ± 0.5	projection	www.fciconnect.com		
A	DG10-0027	WD	01/15/10	angles	0.XX ± 0.25	MM	title 7ACP + 24S		
				dr	0.XXX ± 0.1	scale	VERTICAL SOLDER RECEPT		
				engr	0° ± 2°	1:1	product family PwrBlade code 213		
				chr	Warren Du 12/23/09		size dwg no 51940-329 sheet 1 of 4		
				oppd	Warren Du 12/23/09		cage code 22526		
					PM ZHENG 12/23/09				
					Joseph Hsiao 12/23/09				
sheet index	revision sheet	A 1	A 2	A 3	A 4				

Tous droits strictement réservés. Reproduction ou communication à des tiers interdite sous quelque forme que ce soit sans autorisation écrite du propriétaire. Propriété de FCI. Droits de reproduction FCI.

All rights strictly reserved. Reproduction or issue to third parties in any form whatever is not permitted without written authority from the proprietor. Property of FCI. Copyright FCI.



PRODUCT NUMBER
51940-329_
NOTE: 3



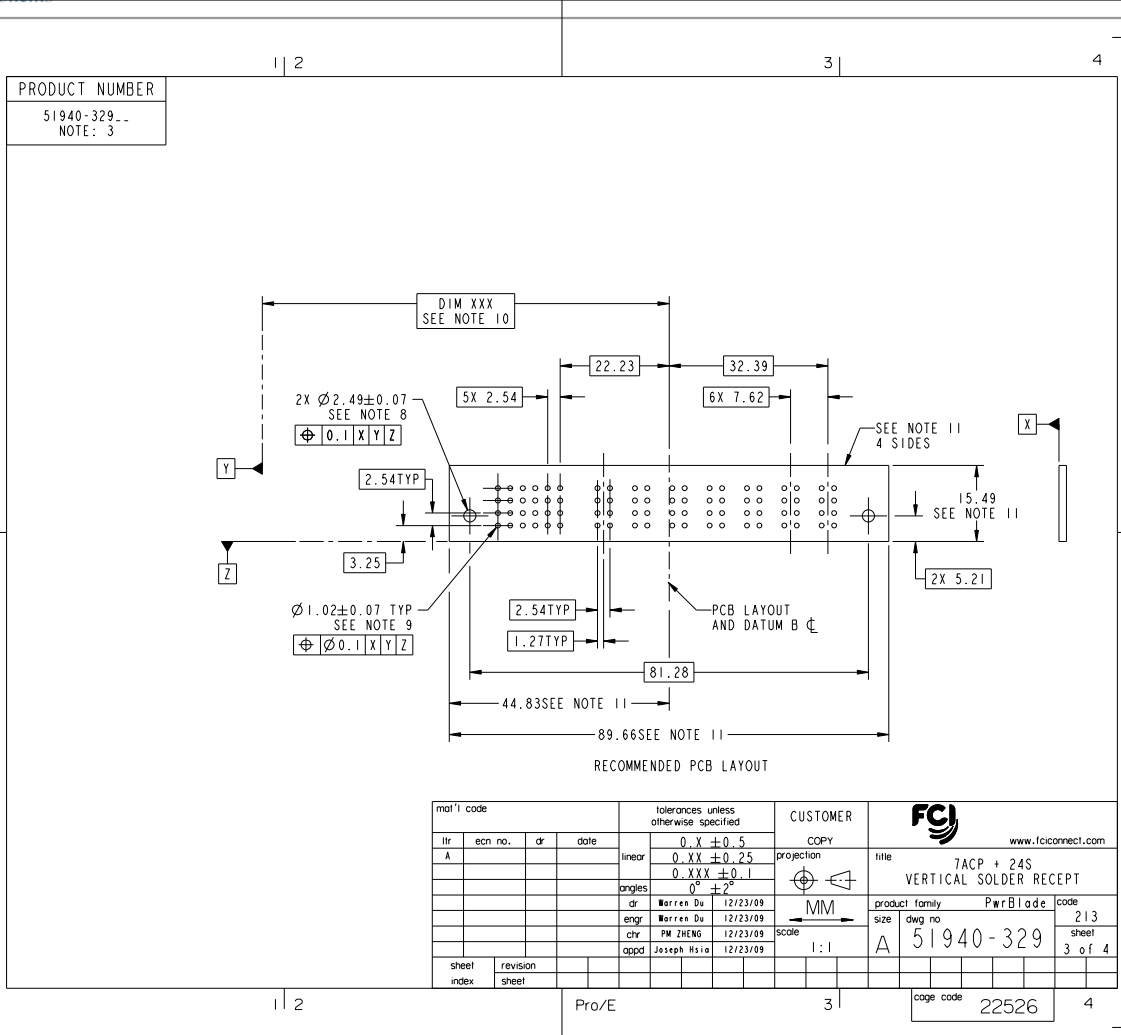
mat'l code				tolerances unless otherwise specified		CUSTOMER		FCI	
ltr	ecm no.	dr	date	linear	0.X ±0.5	COPY	www.fciconnect.com		
A					0.XX ±0.25	projection		title	
					0.XXX ±0.1	MM		7ACP + 24S	
				angles	0° ±2°	scale		VERTICAL SOLDER RECEPT	
				dr	Warren Du 12/23/09	1:1		product family	PwrBlade
				enr	Warren Du 12/23/09			size	code
				chr	PM ZHENG 12/23/09			dwg no	213
				oppd	Joseph Hsia 12/23/09			51940-329	sheet
sheet index	revision sheet								2 of 4

Pro/E

cage code 22526

Tous droits strictement réservés. Reproduction ou communication à des tiers interdite sous quelque forme que ce soit sans autorisation écrite du propriétaire. Propriété de FCI. Droits de reproduction FCI.

All rights strictly reserved. Reproduction or issue to third parties in any form whatever is not permitted without written authority from the proprietor. Property of FCI. Copyright FCI.



Tous droits strictement réservés. Reproduction ou communication à des tiers interdite sous quelque forme que ce soit sans autorisation écrite du propriétaire. Propriété de FCI. Droits de reproduction FCI.

All rights strictly reserved. Reproduction or issue to third parties in any form whatever is not permitted without written authority from the proprietor. Property of FCI. Copyright FCI.

PRODUCT NUMBER
51940-329_
NOTE: 3

NOTES:

1. DIMENSIONS AND TOLERANCES ARE IN ACCORDANCE WITH ASME Y14.5M, 1994 UNLESS OTHERWISE SPECIFIED.

CONNECTOR NOTES:

- ② HOUSING MATERIAL: UL 94 V-0 GLASS FILLED HIGH-TEMP THERMOPLASTIC
POWER CONTACT MATERIAL: COPPER ALLOY
SIGNAL PIN MATERIAL: COPPER ALLOY
- 3. SEE ITEM 1 & 2 IN PRINT 10064183 FOR PLATING SPEC OF 51940-329 AND 51940-329LF RESPECTIVELY.

④ MANUFACTURER'S NAME, DATE CODE AND OPTIONAL P/N TO APPEAR ON THIS SURFACE. THE P/N CAN BE OMITTED IF THERE IS NOT ENOUGH SPACE ON THIS SURFACE.

5. PRODUCT SPECIFICATION GS-12-149.
APPLICATION SPECIFICATION BUS-20-067.

6. PACKAGED IN TRAYS.

PCB NOTES:

7. ALL HOLE DIAMETERS ARE FINISHED HOLE SIZE.

⑧ MOUNTING HOLES, WHERE APPLICABLE, ARE UNPLATED.

⑨ $\varnothing 1.151 \pm 0.025$ DRILLED HOLES PLATED WITH 0.008 MIN SnPb OR Sn OVER 0.03 TO 0.08 Cu PLATING TO ACHIEVE $\varnothing 1.02 \pm 0.07$ HOLE.

⑩ "DIM XXX" TO BE DETERMINED BY THE CUSTOMER.

⑪ CONNECTOR KEEP-OUT ZONE.

12. THE VOID CORING IN BETWEEN POWER MODULES, SIGNAL MODULES AND END MODULES ARE OPTIONAL AND THE SHAPE MAY BE DIFFERENT FOR OPTIMIZE THE MOLDING PROCESS. THE VOID CORING WILL NOT EFFECT TO PRODUCT FUNCTION.

mat'l code				tolerances unless otherwise specified		CUSTOMER		FCI	
ltr	ecn no.	dr	date			COPY	projection	title	www.fciconnect.com
A				linear	0.X ± 0.5			7ACP + 24S	
					0.XX ± 0.25			VERTICAL SOLDER RECEPT	
				angles	0° ± 2°				
		dr	Warren Du				MM	product family	PwrBlade
		engr	Warren Du				size	dwg no	code
		chr	PM ZHENG				scale	51940-329	213
		oppd	Joseph Hsiao				1:1	A	sheet
sheet index	revision sheet								4 of 4

Pro/E

cage code 22526