

Excellent Integrated System Limited

Stocking Distributor

Click to view price, real time Inventory, Delivery & Lifecycle Information:

[FCI](#)

[51940-373LF](#)

For any questions, you can email us directly:

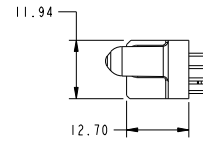
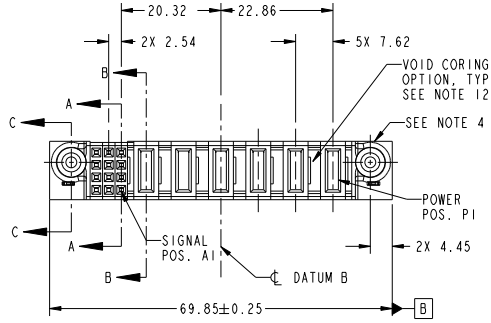
sales@integrated-circuit.com

Tous droits strictement réservés. Reproduction ou communication à des tiers interdite sous quelque forme que ce soit sans autorisation écrite du propriétaire. Propriété de FCI. Droits de reproduction FCI.



All rights strictly reserved. Reproduction or issue to third parties in any form whatever is not permitted without written authority from the proprietor. Property of FCI. Copyright FCI.

PRODUCT NO.	ROWS	SIGNAL						POWER							
		E2	2	1	P6	P5	P4	P3	P2	P1	E1				
51940-373.. NOTE: 3	VOID A/B/C	HA	HA	HA	HA	HA	HA	HA	HA	HA	HA	HA	HA	HA	HA



CODE	DIM "M" MATING LENGTH	CONTACT TYPE
E	[N/A]	SIGNAL
PA	[1.07]	POWER
HA	[N/A]	HOLD-DOWN

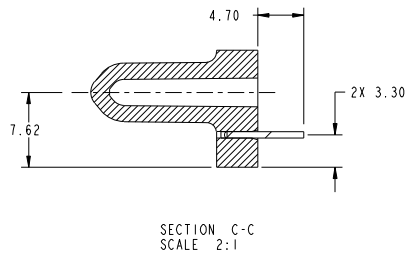
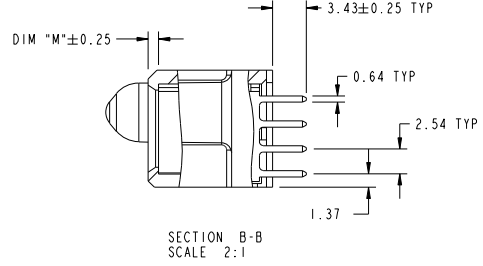
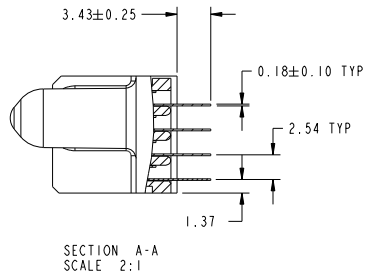
mat'l code		SEE NOTES		tolerances unless otherwise specified		CUSTOMER	
ltr	ecm no.	dr	date		0.X ±0.5	COPY	www.fciconnect.com
A	DG10-0368	X0	10/26/10	linear	0.XX ±0.25	projection	
				angles	0.XXX ±0.1	MM	title
				dr	0° ±2°	scale	6ACP + 12S VERTICAL STB RECEPT
				enr	X0 Wang 10/20/10		product family
				chr	Jrcome Chen 10/20/10		PwrBlade
				oppd	PW ZHENG 10/20/10		code
					Joseph Hsiao 10/20/10		213
sheet index	revision sheet	A 1	A 2	A 3	A 4		size
							dwg no
							51940-373
							sheet
							1 of 4
							code
							22526

Tous droits strictement réservés. Reproduction ou communication à des tiers interdite sous quelque forme que ce soit sans autorisation écrite du propriétaire. Propriété de FCI. Droits de reproduction FCI.

All rights strictly reserved. Reproduction or issue to third parties in any form whatever is not permitted without written authority from the proprietor. Property of FCI. Copyright FCI.



PRODUCT NUMBER
51940-373...
NOTE: 3



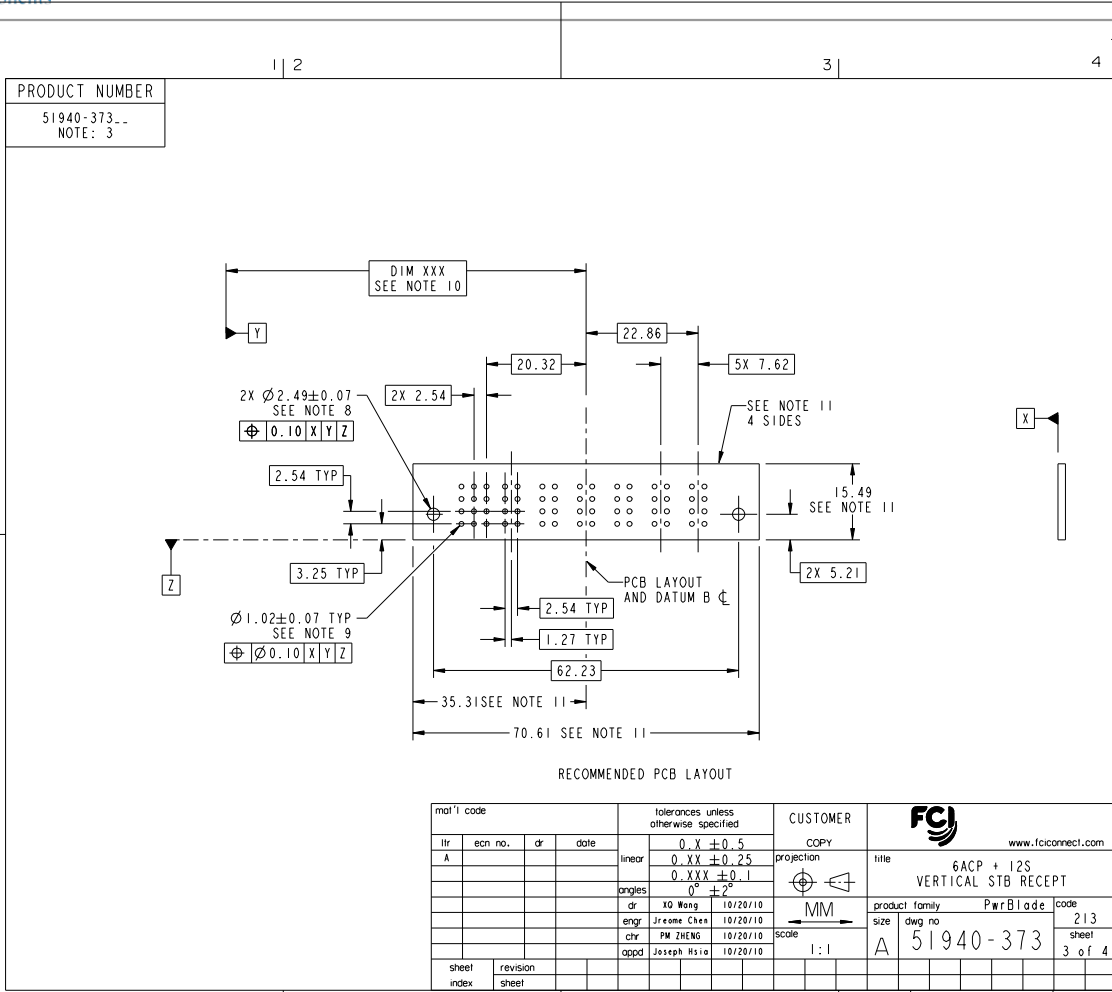
mat'l code				tolerances unless otherwise specified			CUSTOMER		FCI	
ltr	ecm no.	dr	date	linear	0.X ±0.5	COPY	www.fciconnect.com		title	
A					0.XX ±0.25	projection	6ACP + 12S		VERTICAL STB RECEP	
				angles	0.XXX ±0.1		product family		PwrBlade	
				dr	0° ±2°	MM	size	dwg no	code	213
				enr	XQ Wang 10/20/10	scale	A	51940-373	sheet	2 of 4
				chr	Jrrome Chen 10/20/10	1:1				
				oppd	PN ZHENG 10/20/10					
					Joseph Hsia 10/20/10					
sheet index	revision sheet									

Pro/E

cage code 22526

Tous droits strictement réservés. Reproduction ou communication à des tiers interdite sous quelque forme que ce soit sans autorisation écrite du propriétaire. Propriété de FCI. Droits de reproduction FCI.

All rights strictly reserved. Reproduction or issue to third parties in any form whatever is not permitted without written authority from the proprietor. Property of FCI. Copyright FCI.



mat'l code				tolerances unless otherwise specified		CUSTOMER	
ltr	ecm no.	dr	date	linear	0.X ± 0.5	COPY	www.fciconnect.com
A				linear	0.XX ± 0.25	projection	6ACP + 12S
				angles	0.XXX ± 0.1		VERTICAL STB RECEPT
				dr	0° ± 2°	MM	product family PwrBlade
				engr	XQ Wang 10/20/10	size	code 213
				chr	Jerome Chen 10/20/10	scale	sheet 3 of 4
				oppd	PM ZHENG 10/20/10	1:1	51940-373
sheet index	revision sheet			oppd	Joseph Hsia 10/20/10		code 22526

Tous droits strictement réservés. Reproduction ou communication à des tiers interdite sous quelque forme que ce soit sans autorisation écrite du propriétaire. Propriété de FCI. Droits de reproduction FCI.

All rights strictly reserved. Reproduction or issue to third parties in any form whatever is not permitted without written authority from the proprietor. Property of FCI. Copyright FCI.

PRODUCT NUMBER
 51940-373-
 NOTE: 3

NOTES:

1. DIMENSIONS AND TOLERANCES ARE IN ACCORDANCE WITH ASME Y14.5M, 1994 UNLESS OTHERWISE SPECIFIED.

CONNECTOR NOTES:

- ② HOUSING MATERIAL: UL 94 V-0 GLASS FILLED HIGH-TEMP THERMOPLASTIC
 POWER CONTACT MATERIAL: COPPER ALLOY
 SIGNAL PIN MATERIAL: COPPER ALLOY
- 3. SEE ITEM 5 & 6 IN PRINT 10064183 FOR PLATING SPEC OF 51940-373 AND 51940-373LF RESPECTIVELY.

④ MANUFACTURER'S NAME, DATE CODE AND OPTIONAL P/N TO APPEAR ON THIS SURFACE. THE P/N CAN BE OMITTED IF THERE IS NOT ENOUGH SPACE ON THIS SURFACE.

5. PRODUCT SPECIFICATION GS-12-149.
 APPLICATION SPECIFICATION BUS-20-067.

6. PACKAGED IN TRAYS.

PCB NOTES:

7. ALL HOLE DIAMETERS ARE FINISHED HOLE SIZE.

⑧ MOUNTING HOLES, WHERE APPLICABLE, ARE UNPLATED.

⑨ $\varnothing 1.151 \pm 0.025$ DRILLED HOLES PLATED WITH 0.008 MIN SnPb OR Sn OVER 0.03 TO 0.08 Cu PLATING TO ACHIEVE $\varnothing 1.02 \pm 0.07$ HOLE.

⑩ "DIM XXX" TO BE DETERMINED BY THE CUSTOMER.

⑪ CONNECTOR KEEP-OUT ZONE.

12. THE VOID CORING IN BETWEEN POWER MODULES, SIGNAL MODULES AND END MODULES ARE OPTIONAL AND THE SHAPE MAY BE DIFFERENT FOR OPTIMIZE THE MOLDING PROCESS. THE VOID CORING WILL NOT EFFECT TO PRODUCT FUNCTION.

mat'l code				tolerances unless otherwise specified		CUSTOMER		FCI	
ltr	ecm no.	dr	date	linear	0.X ± 0.5	COPY		www.fciconnect.com	
A					0.XX ± 0.25	projection	title		
				angles	0.XXX ± 0.1		6ACP + 12S		
				dr	0° ± 2°	MM	product family	PwrBlade	code
				engr	XQ Wang 10/20/10	size	dwg no	51940-373	213
				chr	Jrrome Chen 10/20/10	scale	A	4 of 4	sheet
				oppd	PN ZHENG 10/20/10	1:1			4 of 4
sheet index	revision sheet								

Pro/E

cage code 22526