

Excellent Integrated System Limited

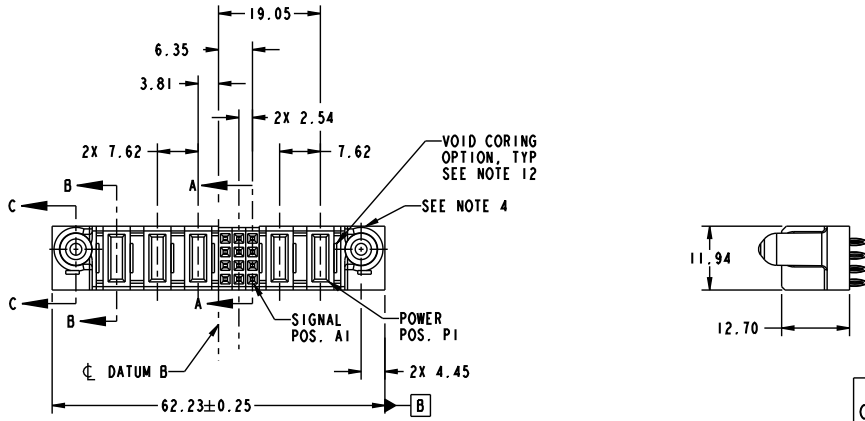
Stocking Distributor

Click to view price, real time Inventory, Delivery & Lifecycle Information:

[FCI](#)
[51940-386LF](#)

For any questions, you can email us directly:
sales@integrated-circuit.com

PRODUCT NO.	ROWS	POWER				SIGNAL				E1
		E2	P5	P4	P3	P3	P2	P1	P1	
51940-386.. NOTE: 3	D C B A									



CODE	DIM "M" MATING LENGTH	CONTACT TYPE
PF	[2.34]	POWER
F	[N/A]	SIGNAL
PC	[1.07]	POWER

spec ref	SEE NOTE			dr	XQ Wang	2011-05-11	projection	MM	size	scale
tolerance std	TOLERANCES UNLESS OTHERWISE SPECIFIED			eng	Anson Liu	2011-05-11			A4	1:1
SEE NOTE				chr	PM ZHENG	2011-05-11		product family	PwrBlade	
surface	linear	0.X	±0.5	appr	Joseph Hsia	2011-05-11	rel level		Released	
		0.XX	±0.25			2ACP + 12S + 3ACP		51940-386		rev
		0.XXX	±0.1							
	angular	0°	±2°	www.fci.com		cat. no.	-	Product - Customer Drw		sheet 1 of 4

Prod File - REC - 2009-06-09

1

2

3

PDS: Rev :A

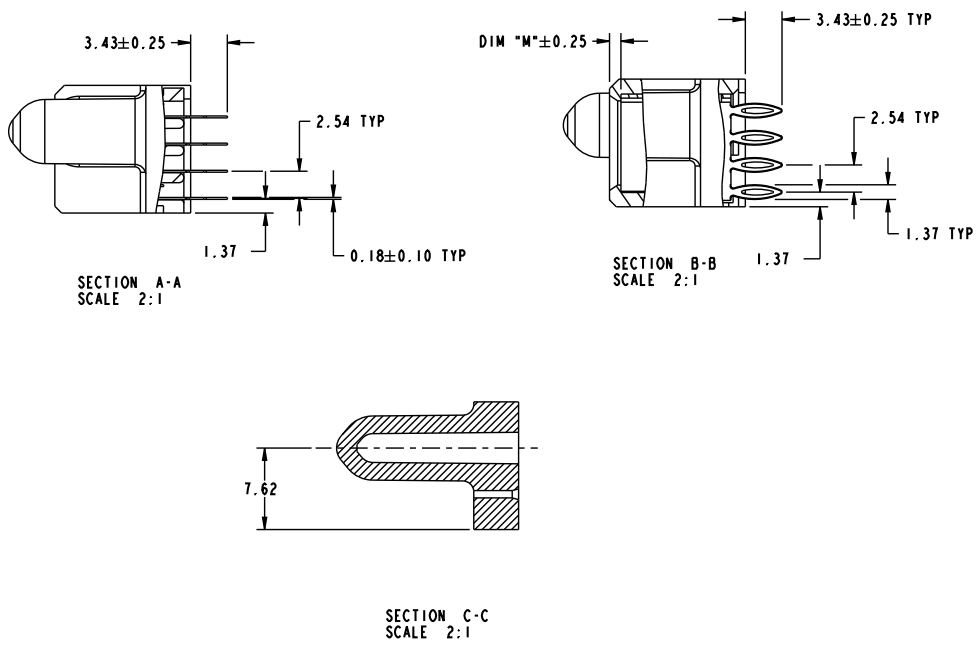
STATUS:Released

Printed: May 12, 2011



Copyright FCI.

PRODUCT NUMBER
51940-386...
NOTE: 3

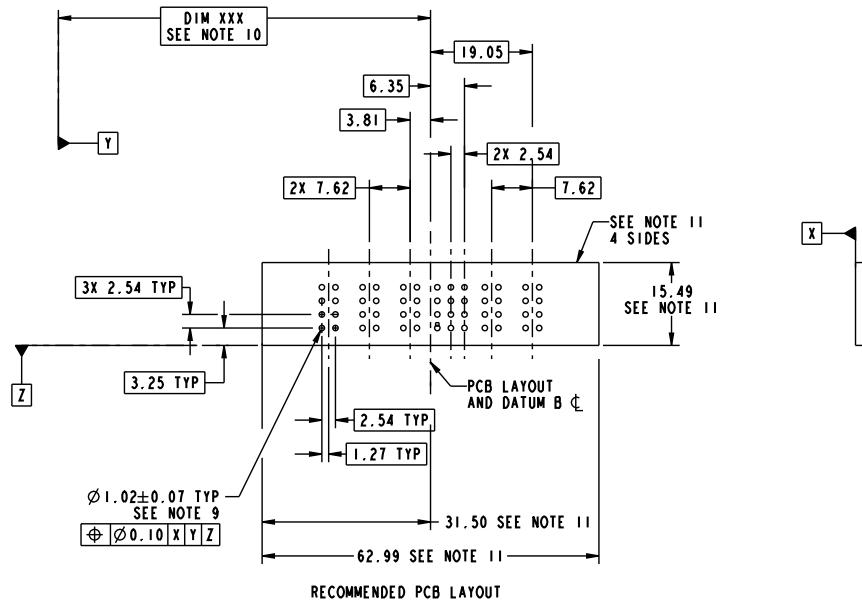


Copyright FCI.

spec ref	SEE NOTE			dr	XQ Wang	2011-05-11	projection	MM	size	A4	scale	1:1
tolerance std	TOLERANCES UNLESS OTHERWISE SPECIFIED			eng	Anson Liu	2011-05-11			ecn no	rel level	Released	rev
SEE NOTE				chr	PM ZHENG	2011-05-11		product family				
surface		linear	0.X	±0.5		2ACP + 12S + 3ACP VERTICAL PRESS-FIT RECEPT	www.fci.com	cat. no. -	Product - Customer Drw	rel level	Released	sheet 2 of 4
			0.XX	±0.25								
			0.XXX	±0.1								
		angular	0°	±2°								

Prod File - REC - 2009-06-09

PRODUCT NUMBER
51940-386...
NOTE: 3



spec ref	SEE NOTE			dr	XQ Wang	2011-05-11	projection	MM	size	A4	scale	1:1		
tolerance std	TOLERANCES UNLESS OTHERWISE SPECIFIED			eng	Anson Liu	2011-05-11			ecn no	-				
SEE NOTE				chr	PM ZHENG	2011-05-11			product family	PwrBlade	rel level	Released		
surface		linear	0.X	±0.5			2ACP + 12S + 3ACP VERTICAL PRESS-FIT RECEPT	www.fci.com	cat. no. -	Product - Customer Drw	sheet 3 of 4	rev	A	
			0.XX	±0.25								dwg no	51940-386	
		angular	0°	±2°										

Prod File - REC - 2009-08-09



Copyright FCI.

PRODUCT NUMBER

51940-386...
NOTE: 3

NOTES:

1. DIMENSIONS AND TOLERANCES ARE IN ACCORDANCE WITH ASME Y14.5M, 1994 UNLESS OTHERWISE SPECIFIED.

CONNECTOR NOTES:

- ② HOUSING MATERIAL: UL 94 V-0 GLASS FILLED HIGH-TEMP THERMOPLASTIC
POWER CONTACT MATERIAL: COPPER ALLOY
SIGNAL PIN MATERIAL: COPPER ALLOY
- 3. SEE ITEM 7 & 8 IN PRINT 10064183 FOR PLATING SPEC OF 51940-386 AND 51940-386LF RESPECTIVELY.
- ④ MANUFACTURER'S NAME, DATE CODE AND OPTIONAL P/N TO APPEAR ON THIS SURFACE. THE P/N CAN BE OMITTED IF THERE IS NOT ENOUGH SPACE ON THIS SURFACE.
- 5. PRODUCT SPECIFICATION GS-12-149.
APPLICATION SPECIFICATION BUS-20-067.
- 6. PACKAGED IN TRAYS.
- PCB NOTES:**
- 7. ALL HOLE DIAMETERS ARE FINISHED HOLE SIZE.
- ⑧ MOUNTING HOLES, WHERE APPLICABLE, ARE UNPLATED.
- ⑨ $\phi 1.151 \pm 0.025$ DRILLED HOLES PLATED WITH 0.008 MIN SnPb OR Sn OVER 0.03 TO 0.08 Cu PLATING TO ACHIEVE $\phi 1.02 \pm 0.07$ HOLE.
- ⑩ "DIM XXX" TO BE DETERMINED BY THE CUSTOMER.
- ⑪ CONNECTOR KEEP-OUT ZONE.
- 12. THE VOID CORING IN BETWEEN POWER MODULES, SIGNAL MODULES AND END MODULES ARE OPTIONAL AND THE SHAPE MAY BE DIFFERENT FOR OPTIMIZE THE MOLDING PROCESS. THE VOID CORING WILL NOT EFFECT TO PRODUCT FUNCTION.

spec ref	SEE NOTE			dr	XQ Wang	2011-05-11	projection	MM	size	A4	scale	1:1
tolerance std	TOLERANCES UNLESS OTHERWISE SPECIFIED			eng	Anson Liu	2011-05-11			ecn no	rel level	Released	rev
SEE NOTE				chr	PM ZHENG	2011-05-11		product family				
surface	linear	0.X	± 0.5	appr	Joseph Hsia	2011-05-11	www.fci.com		2ACP + 12S + 3ACP	VERTICAL PRESS-FIT RECEPT	51940-386	A
		0.XX	± 0.25				cat. no.	-	Product - Customer Drw	sheet 4 of 4		
		0.XXX	± 0.1									
	angular	0°	$\pm 2^\circ$									

Prod File - REC - 2009-08-08



Copyright FCI.