

Excellent Integrated System Limited

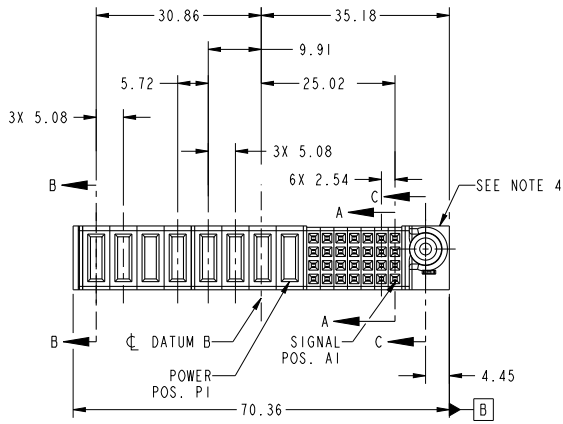
Stocking Distributor

Click to view price, real time Inventory, Delivery & Lifecycle Information:

[FCI](#)
[51940-392LF](#)

For any questions, you can email us directly:
sales@integrated-circuit.com

PRODUCT NO.	ROWS	POWER								SIGNAL								
		E2	P8	P7	P6	P5	P4	P3	P2	P1	7	6	5	4	3	2	1	E1
51940-392-- NOTE: 3	D C B A		PF	PF	PF	PF	PC	PC	PC	PF	PF	PF	PF	PF	PF	PF	PF	



CODE	DIM. "M" MATING LENGTH	CONTACT TYPE
PF	[2.34]	POWER
PC	[1.07]	POWER
F	[N/A]	SIGNAL
HA	[N/A]	HOLD-DOWN

spec ref	SEE NOTE		dr	X Q Wang	2011/06/08	projection	MM	size	A4	scale	1:1
tolerance std	TOLERANCES UNLESS OTHERWISE SPECIFIED		eng	Luo Weller	2013/02/27			ecn no	-	rel level	Released
surface	linear	0.X ±0.50 0.XX ±0.25 0.XXX ±0.10	chr	-	-			product family	PwrBlade	rel level	Released
	angular	0° ±2°	appr	Pei-Ming Zheng	2013/02/27			cat. no.	28S + 8P	rev	A
			www.fci.com					cat. no.	VERTICAL PRESS-FIT RECEPT	cat. no.	51940-392
						Product - Customer Drw		cat. no.	Product - Customer Drw	cat. no.	51940-392

Print File - REV C - 2009-06-09

1

2

3

PDS: Rev :A

STATUS:Released

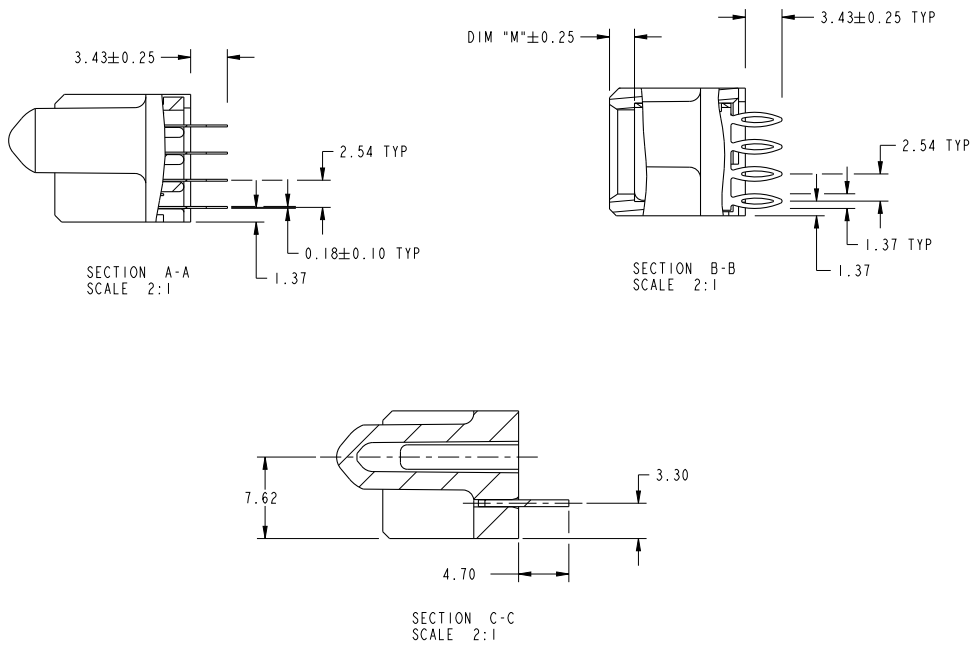
Printed: Feb 28, 2013



Copyright FCI.

PRODUCT NUMBER

51940-392...
NOTE: 3



dr	X Q Wang	2011/06/08	projection	MM	size	A4	scale	1:1	
eng	Luo Weller	2013/02/27			ecn no	-	rel level		
chr	-	-			product family	PwrBlade	Released		
appr	Pei-Ming Zheng	2013/02/27				title 28S + 8P VERTICAL PRESS-FIT RECEPT	dwg no 51940-392	rev A	
www.fci.com			cat. no.				Product - Customer Drw		sheet 2 of 4

Print File - REV C - 2009-06-09

PDS: Rev :A

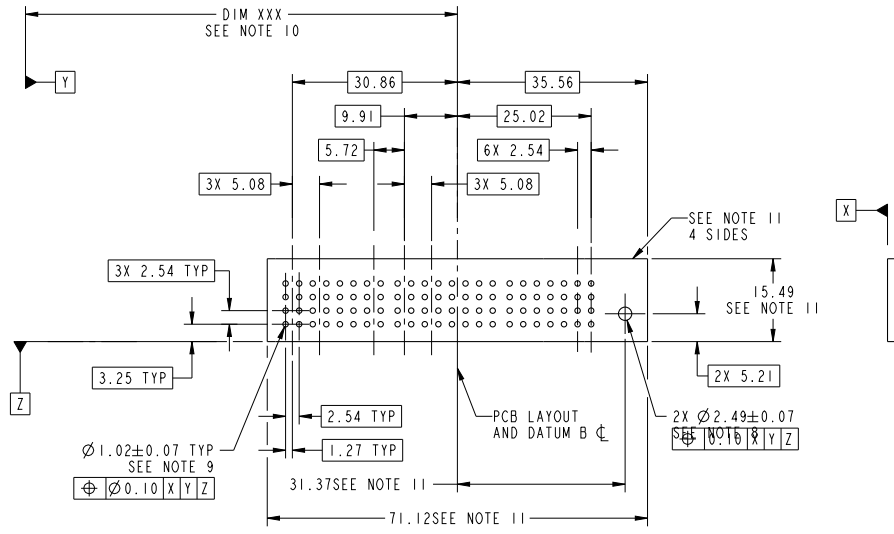
STATUS:Released

Printed: Feb 28, 2013



Copyright FCI.

PRODUCT NUMBER
51940-392...
NOTE: 3



RECOMMENDED PCB LAYOUT

dr	X Q Wang	2011/06/08	projection	MM	size	A4	scale	1:1
eng	Luo Weller	2013/02/27			ecn no	-	rel level	Released
chr	-	-			product family	PwrBlade	rev	A
appr	Pei-Ming Zheng	2013/02/27			28S + 8P	51940-392		
www.fci.com		cat. no.	Product - Customer Drw			sheet 3 of 4		

Print File - REV C - 2009-06-09



Copyright FCI.

PRODUCT NUMBER
51940-392--
NOTE: 3

NOTES:

1. DIMENSIONS AND TOLERANCES ARE IN ACCORDANCE WITH ASME Y14.5M, 1994 UNLESS OTHERWISE SPECIFIED.

CONNECTOR NOTES:

- ② HOUSING MATERIAL: UL 94 V-0 GLASS FILLED HIGH-TEMP THERMOPLASTIC
POWER CONTACT MATERIAL: COPPER ALLOY
SIGNAL PIN MATERIAL: COPPER ALLOY
- 3. SEE ITEM 7 & 8 IN PRINT 10064183 FOR PLATING SPEC OF 51940-392 AND 51940-392LF RESPECTIVELY.
- ④ MANUFACTURER'S NAME, DATE CODE AND OPTIONAL P/N TO APPEAR ON THIS SURFACE. THE P/N CAN BE OMITTED IF THERE IS NOT ENOUGH SPACE ON THIS SURFACE.
- 5. PRODUCT SPECIFICATION GS-12-149.
APPLICATION SPECIFICATION BUS-20-067.
- 6. PACKAGED IN TRAYS.

PCB NOTES:

- 7. ALL HOLE DIAMETERS ARE FINISHED HOLE SIZE.
- ⑧ MOUNTING HOLES, WHERE APPLICABLE, ARE UNPLATED.
- ⑨ $\varnothing 1.151 \pm 0.025$ DRILLED HOLES PLATED WITH 0.008 MIN SnPb OR Sn OVER 0.03 TO 0.08 Cu PLATING TO ACHIEVE $\varnothing 1.02 \pm 0.07$ HOLE.
- ⑩ "DIM XXX" TO BE DETERMINED BY THE CUSTOMER.
- ⑪ CONNECTOR KEEP-OUT ZONE.
- 12. THE VOID CORING IN BETWEEN POWER MODULES, SIGNAL MODULES AND END MODULES ARE OPTIONAL AND THE SHAPE MAY BE DIFFERENT FOR OPTIMIZE THE MOLDING PROCESS. THE VOID CORING WILL NOT EFFECT TO PRODUCT FUNCTION.

dr	X Q Wang	2011/06/08	projection	MM	size	A4	scale	1:1
eng	Luo Weller	2013/02/27			ecn no	-	rel level	Released
chr	-	-	product family	PwrBlade	rev	A		
appr	Pei-Ming Zheng	2013/02/27	title		28S + 8P	cat. no.		
www.fci.com			VERTICAL PRESS-FIT RECEPT		dwg no	51940-392	Product - Customer Drw	
						sheet 4 of 4		

Print File : REC - 2009-01-09



Copyright FCI.