

Excellent Integrated System Limited

Stocking Distributor

Click to view price, real time Inventory, Delivery & Lifecycle Information:

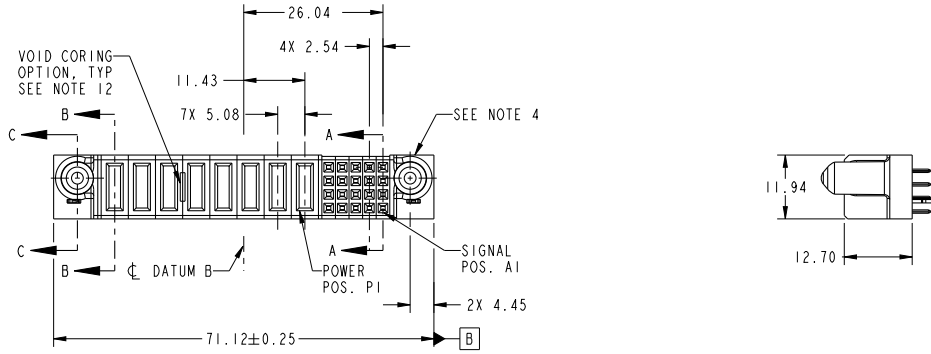
[FCI](#)

[51940-419LF](#)

For any questions, you can email us directly:

sales@integrated-circuit.com

PRODUCT NO.	ROWS	POWER								SIGNAL					
		E2	P8	P7	P6	P5	P4	P3	P2	P1	S1	S2	S3	S4	E1
51940-419-- NOTE: 3	D C B A														



CODE	DIM "M" MATING LENGTH	CONTACT TYPE
E	[N/A]	SIGNAL
PA	[1.07]	POWER
HA	[N/A]	HOLD-DOWN

spec ref	See Notes		dr	X Q Wang	201201/13	projection		size	A4	scale	1:1
tolerance std	TOLERANCES UNLESS OTHERWISE SPECIFIED		eng	Luo Weller	201208/19	product family	PwrBlade	ecn no	-	rel level	Released
See Notes			chr	-	-	www.fci.com	cat. no.	-	Product - Customer Drw	sheet 1 of 4	
surface	linear	0.X ±0.5	0.XX ±0.25	0.XXX ±0.1	angular	0° ±2°	20S + 8P	VERTICAL SOLDER RECEPT	51940-419	rev	A

Print File: REC - 2009-08-09

1

2

3

PDS: Rev :A

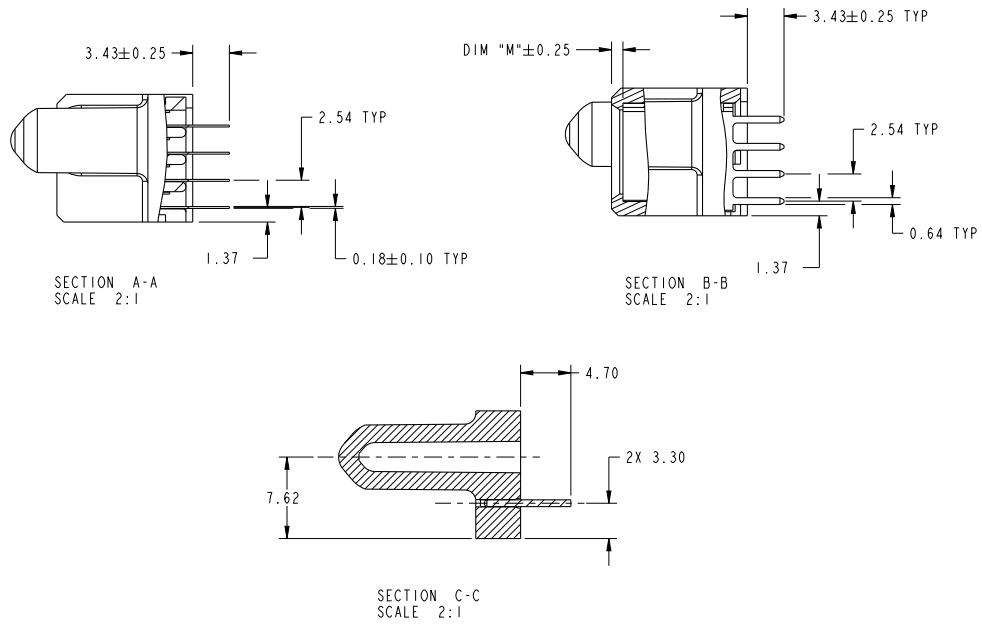
STATUS:Released

Printed: Sep 20, 2012



Copyright FCI.

PRODUCT NUMBER
51940-419_
NOTE: 3



dr	X Q Wang	201201/13	projection	MM	size	A4	scale	1:1
eng	Luo Weller	201208/19			ecn no	-	rel level	Released
chr	-	-			product family	PwrBlade	rev	A
appr	Pei-Ming Zheng	-			title	20S + 8P		cat. no.
					dwg no	51940-419		Product - Customer Drw
							sheet 2 of 4	

Print File : REC - 2009-08-09

PDS: Rev :A

STATUS:Released

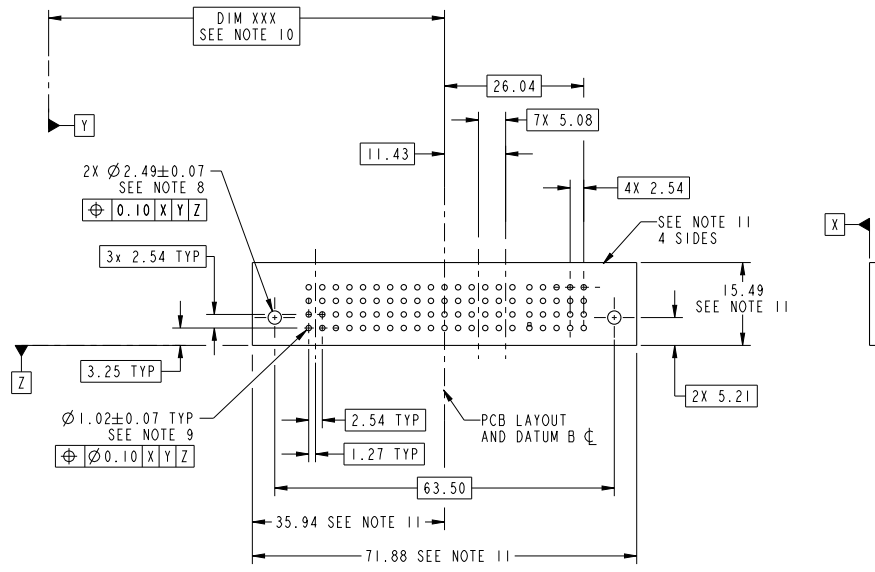
Printed: Sep 20, 2012



Copyright FCI.

PRODUCT NUMBER

51940-419...
NOTE: 3



RECOMMENDED PCB LAYOUT

dr	X Q Wang	201201/13	projection	MM	size	A4	scale	1:1
eng	Luo Weller	201208/19			ecn no	-	rel level	Released
chr	-	-			product family	PwrBlade	rev	A
appr	Pei-Ming Zheng	-			cat. no.	-	Product - Customer Drw	sheet 3 of 4
			20S + 8P VERTICAL SOLDER RECEPT		www.fci.com	cat. no. -	Product - Customer Drw	sheet 3 of 4
					dwg no 51940-419			

Print File : REC - 2009-06-09



Copyright FCI.

PRODUCT NUMBER
51940-419_
NOTE: 3

NOTES:

1. DIMENSIONS AND TOLERANCES ARE IN ACCORDANCE WITH ASME Y14.5M, 1994 UNLESS OTHERWISE SPECIFIED.

CONNECTOR NOTES:

- ② HOUSING MATERIAL: UL 94 V-0 GLASS FILLED HIGH-TEMP THERMOPLASTIC
POWER CONTACT MATERIAL: COPPER ALLOY
SIGNAL PIN MATERIAL: COPPER ALLOY
- 3. SEE ITEM 5 & 6 IN PRINT 10064183 FOR PLATING SPEC OF 51940-419 AND 51940-419LF RESPECTIVELY.
- ④ MANUFACTURER'S NAME, DATE CODE AND OPTIONAL P/N TO APPEAR ON THIS SURFACE. THE P/N CAN BE OMITTED IF THERE IS NOT ENOUGH SPACE ON THIS SURFACE.
- 5. PRODUCT SPECIFICATION GS-12-149.
APPLICATION SPECIFICATION BUS-20-067.
- 6. PACKAGED IN TRAYS.

PCB NOTES:

- 7. ALL HOLE DIAMETERS ARE FINISHED HOLE SIZE.
- ⑧ MOUNTING HOLES, WHERE APPLICABLE, ARE UNPLATED.
- ⑨ $\varnothing 1.151 \pm 0.025$ DRILLED HOLES PLATED WITH
0.008 MIN SnPb OR Sn OVER 0.03
TO 0.08 Cu PLATING TO ACHIEVE
 $\varnothing 1.02 \pm 0.07$ HOLE.
- ⑩ "DIM XXX" TO BE DETERMINED BY THE CUSTOMER.
- ⑪ CONNECTOR KEEP-OUT ZONE.
- 12. THE VOID CORING IN BETWEEN POWER MODULES, SIGNAL MODULES AND END MODULES ARE OPTIONAL AND THE SHAPE MAY BE DIFFERENT FOR OPTIMIZE THE MOLDING PROCESS. THE VOID CORING WILL NOT EFFECT TO PRODUCT FUNCTION.

dr	X Q Wang	2012/01/13	projection	MM	size	A4	scale	1:1
eng	Luo Weller	2012/08/19			ecn no	-	rel level	Released
chr	-	-	product family	PwrBlade	rev	A		
appr	Pei-Ming Zheng	-	www.fci.com		cat. no.	-	Product - Customer Drw	sheet 4 of 4
			title 20S + 8P VERTICAL SOLDER RECEPT		dwg no 51940-419			

Print File : REC - 2009-01-09



Copyright FCI.