

Excellent Integrated System Limited

Stocking Distributor

Click to view price, real time Inventory, Delivery & Lifecycle Information:

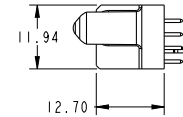
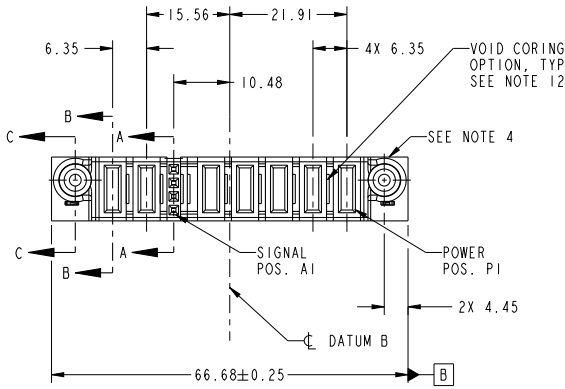
[FCI](#)

[51940-420LF](#)

For any questions, you can email us directly:

sales@integrated-circuit.com

PRODUCT NO.	ROWS	SIGNAL					POWER				
		E2	P7	P6	P5	P4	P3	P2	P1	E1	
51940-420-- NOTE: 3	D C B A		PA	PA	X	PA	X	PA	X	PA	



CODE	DIM "M" MATING LENGTH	CONTACT TYPE
E	[N/A]	SIGNAL
PA	[1.07]	POWER
HA	[N/A]	HOLD-DOWN
X	OMITTED	OMITTED

spec ref	*	dr	X Q Wang	2012/01/19	projection	MM	size	A4	scale	1:1
tolerance std	TOLERANCES UNLESS OTHERWISE SPECIFIED	eng	Luo Weller	2012/09/20		product family	ecn no	rel level	Released	rev
SEE NOTE		chr	-	-						
surface	linear	appr	Pei-Ming Zheng	2012/09/20	5P + 4S + 2P		51940-420		A	
	angular	www.fci.com		cat. no.	VERTICAL SOLDER RECEPT		Product - Customer Drw		sheet 1 of 4	

Prod File - REC - 2009-08-09

1

2

3

PDS: Rev :A

STATUS:Released

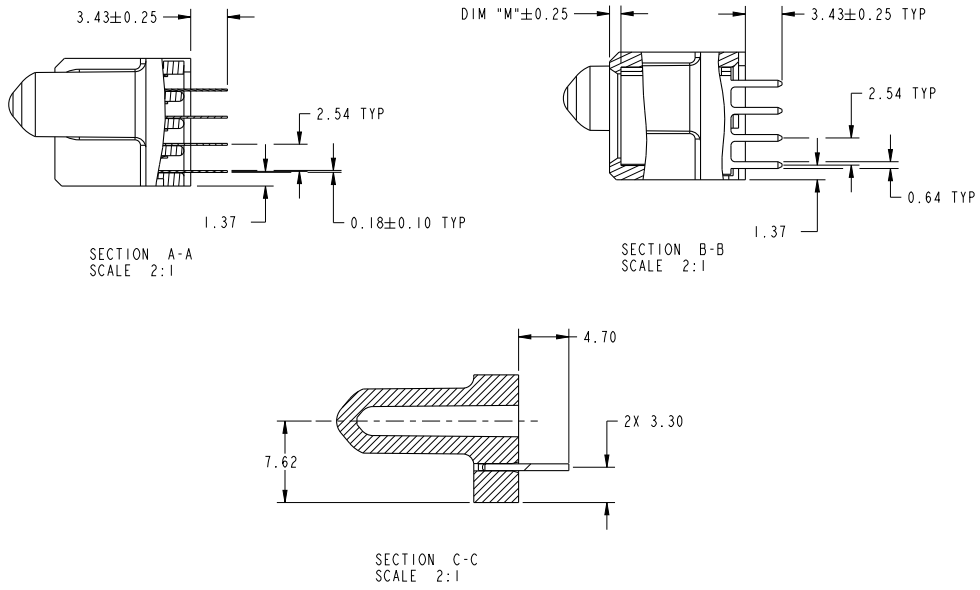
Printed: Sep 20, 2012



Copyright FCI.

PRODUCT NUMBER

51940-420-
NOTE: 3



dr	X Q Wang	2012/01/19	projection	MM	size	A4	scale	1:1
eng	Luo Weller	2012/09/20			ecn no	-	rel level	
chr	-	-			product family	PwrBlade	Released	
appr	Pei-Ming Zheng	2012/09/20					5P + 4S + 2P	
www.fci.com							VERTICAL SOLDER RECEPT	
cat. no.			-			Product - Customer Drw	51940-420	rev
						sheet 2 of 4	A	

Print File : REC - 2009-08-09

PDS: Rev :A

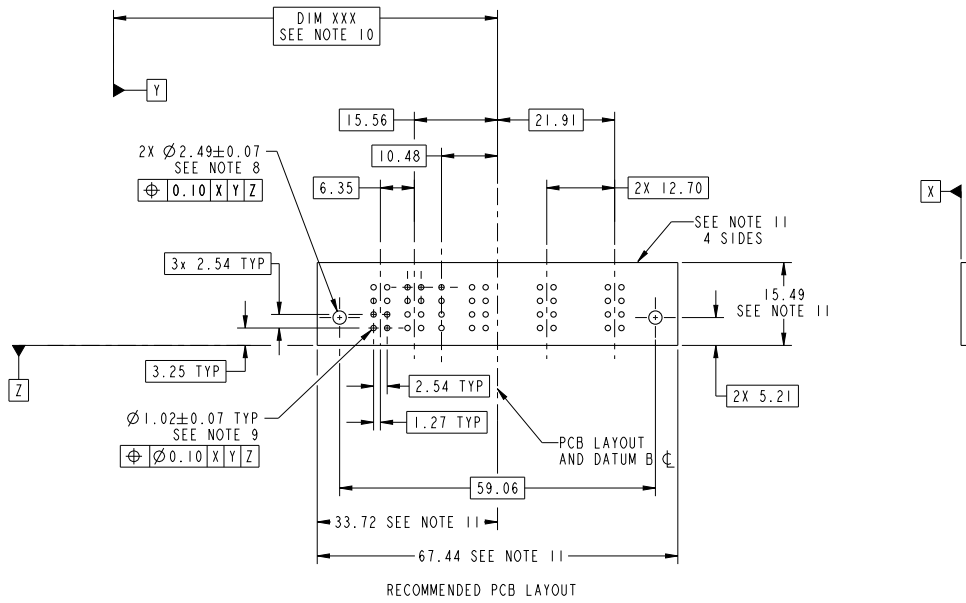
STATUS:Released

Printed: Sep 20, 2012



Copyright FCI.

PRODUCT NUMBER
51940-420...
NOTE: 3



RECOMMENDED PCB LAYOUT

dr	X Q Wang	2012/01/19	projection	MM	size	A4	scale	1:1
eng	Luo Weller	2012/09/20			ecn no	-	rel level	Released
chr	-	-			product family	PwrBlade		
appr	Pei-Ming Zheng	2012/09/20			5P + 4S + 2P	VERTICAL SOLDER RECEPT		www.fci.com
cat. no.			-		Product - Customer Drw		sheet 3 of 4	
					PDS: Rev :A	STATUS:Released		Printed: Sep 20, 2012



PRODUCT NUMBER
51940-420-
NOTE: 3

- NOTES:
- DIMENSIONS AND TOLERANCES ARE IN ACCORDANCE WITH ASME Y14.5M, 1994 UNLESS OTHERWISE SPECIFIED.
- CONNECTOR NOTES:
- HOUSING MATERIAL: UL 94 V-0 GLASS FILLED HIGH-TEMP THERMOPLASTIC
POWER CONTACT MATERIAL: COPPER ALLOY
SIGNAL PIN MATERIAL: COPPER ALLOY
 - SEE ITEM 5 & 6 IN PRINT 10064183 FOR PLATING SPEC OF 51940-420 AND 51940-420LF RESPECTIVELY.
 - MANUFACTURER'S NAME, DATE CODE AND OPTIONAL P/N TO APPEAR ON THIS SURFACE. THE P/N CAN BE OMITTED IF THERE IS NOT ENOUGH SPACE ON THIS SURFACE.
 - PRODUCT SPECIFICATION GS-12-149.
APPLICATION SPECIFICATION BUS-20-067.
 - PACKAGED IN TRAYS.
- PCB NOTES:
- ALL HOLE DIAMETERS ARE FINISHED HOLE SIZE.
 - MOUNTING HOLES, WHERE APPLICABLE, ARE UNPLATED.
 - $\varnothing 1.151 \pm 0.025$ DRILLED HOLES PLATED WITH 0.008 MIN SnPb OR Sn OVER 0.03 TO 0.08 Cu PLATING TO ACHIEVE $\varnothing 1.02 \pm 0.07$ HOLE.
 - "DIM XXX" TO BE DETERMINED BY THE CUSTOMER.
 - CONNECTOR KEEP-OUT ZONE.
12. THE VOID CORING IN BETWEEN POWER MODULES, SIGNAL MODULES AND END MODULES ARE OPTIONAL AND THE SHAPE MAY BE DIFFERENT FOR OPTIMIZE THE MOLDING PROCESS. THE VOID CORING WILL NOT EFFECT TO PRODUCT FUNCTION.



Copyright FCI.

dr	X Q Wang	2012/01/19	projection		size	A4	scale	1:1
eng	Luo Weller	2012/09/20		← →	ecn no	-	rel level	
chr	-	-			product family	PwrBlade	Released	
appr	Pei-Ming Zheng	2012/09/20	www.fci.com		title	5P + 4S + 2P		rev
			VERTICAL SOLDER RECEPT		dwg no	51940-420		A
			cat. no.	-	Product - Customer Drw			sheet 4 of 4

Print File : REC - 2009-01-09